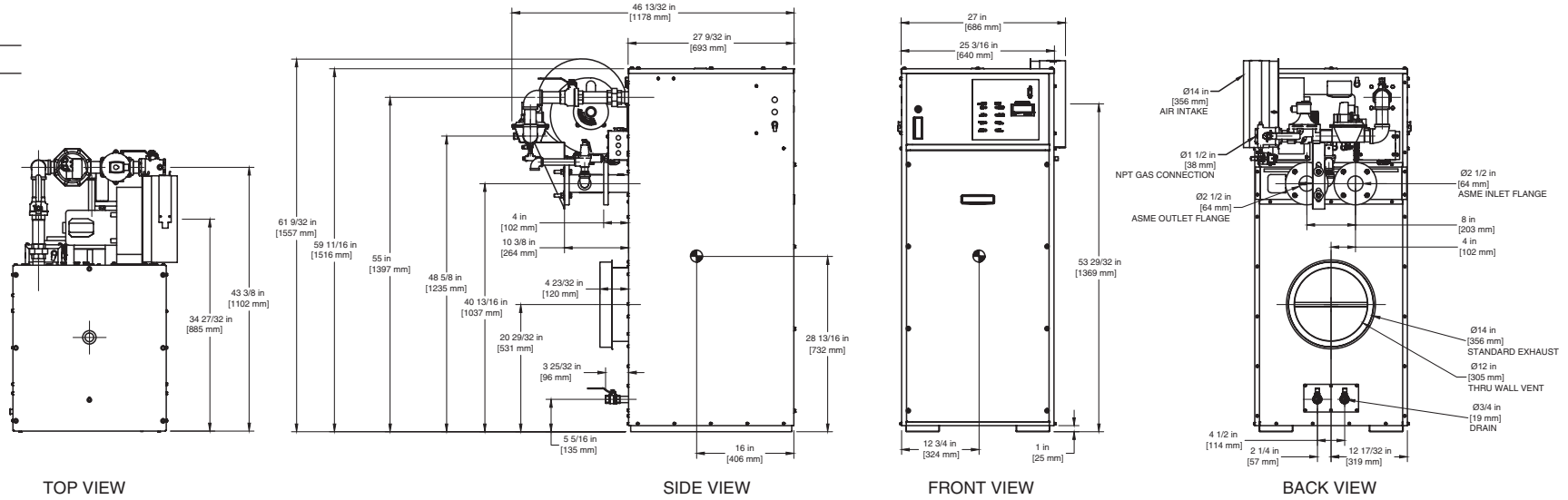


INDOOR UNIT

RSUB-69 REV D

CODE OPTIONS

CSD-1 Manual Reset LWCO



Notes:

1. Dimensions are approximate and should not be used to "rough-in" equipment.
2. Dimensions are subject to change without notice.

BOILER CERTIFIED RATINGS & CAPACITIES

Fuel Type	Natural/Propane Gas	Boiler FLA	11.5*
Input BTU/hr.	1,750,000 / 513 kW	Min. Gas Pressure Required	5" W.C.**
Output BTU/hr.	1,487,500 / 436 kW	Max. Gas Pressure Allowed	14" W.C.
Electrical Requirements	120 VAC / 1 ph / 60 hz	Operating Weight	799 lbs. / 363 kg.

BOILER TEMPERATURE RISE / PRESSURE DROP

25°F / 13.9°C				30°F / 16.7°C				35°F / 19.4°C			
Flow Rate		Pressure Drop		Flow Rate		Pressure Drop		Flow Rate		Pressure Drop	
GPM	L/s	Ft	kPa	GPM	L/s	Ft	kPa	GPM	L/s	Ft	kPa
119.0	7.5	3.67	10.8	99.2	6.3	2.60	7.7	85.0	5.4	2.00	5.8

BOILER / WATER HEATER TRIM & CONTROLS

Main Gas Valve	V4944B	Main Ball Valve	1 1/2"
Firing Valve	1 1/2"	Pilot Regulator	White-Rodgers 25M
Safety Valve	ASCO L8214G 1 1/2"	Air Switch	HUBA
Ignition Control	Honeywell RM7897C	Blower Motor	Marathon 3/4 hp - FLA 9.8
Operating Control (FB/FW)	Jumo	Relief Valve - FB	1" x 1 1/4" set @ 50 psi
High Limit	Honeywell L4008E	Relief Valve - FW	3/4" x 3/4" set @ 125 psi
		Flow Switch	TACO

WATER HEATER HOURLY RECOVERY CAPACITY (GPH & LPH)

40°F	22°C	60°F	33°C	80°F	44°C	100°F	56°C	120°F	67°C	140°F	78°C
4359	16478	2906	10985	2180	8239	1744	6591	1453	5493	1245	4708

A.S.M.E.

ASME Sect IV Htg Surface	188.57 Sq. Ft. / 17.52 Sq. M.	Design Data	Max. 160 psig & 250°F
Water Volume	5.3 gal / 20.1 Liters		

* Add circulator amps.

** For incoming gas pressures lower than 5" W.C. natural or 11" W.C. propane, consult factory.

REP FIRM _____
SUBMITTED BY _____
JOB NAME _____
ARCHITECT _____
ENGINEER _____
CONTRACTOR _____
DATE _____

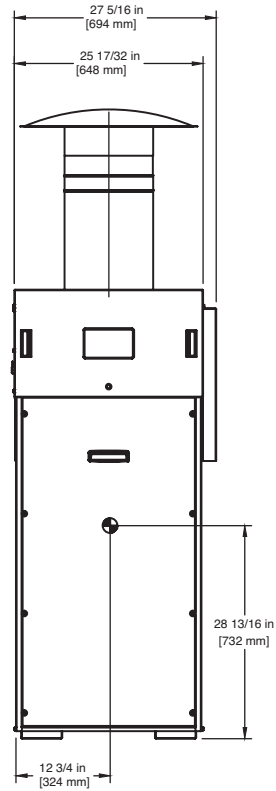
FUTERA II 1750

Category I or Category III Appliance
(see Installation and Operation Manual for venting information)

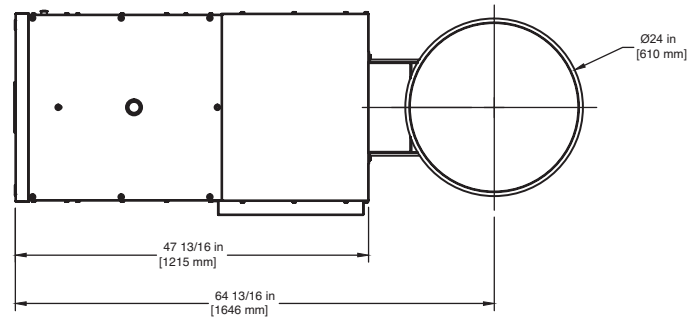


A Division of Mestek, Inc.
Westfield, MA 01085
(413) 568-9571

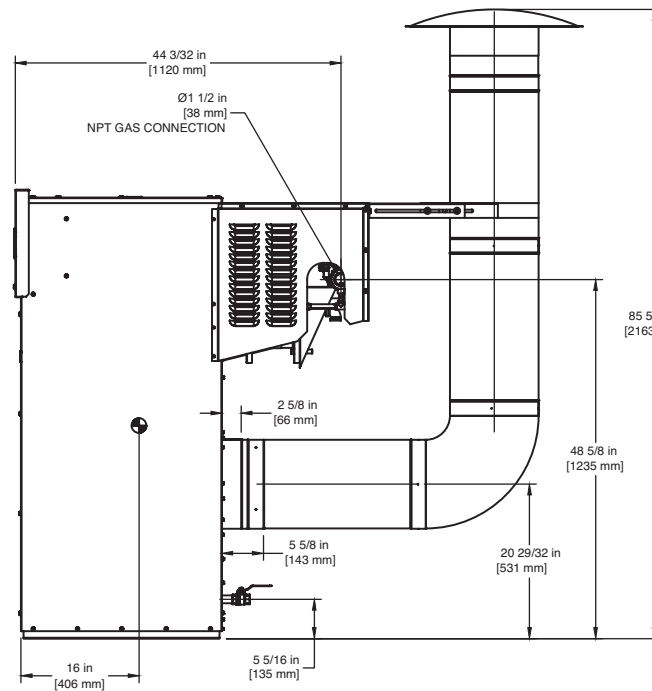
OUTDOOR UNIT



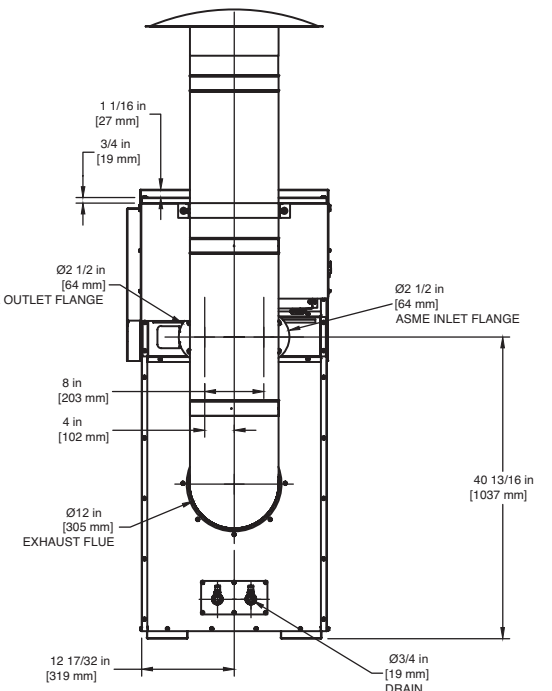
FRONT VIEW



TOP VIEW



SIDE VIEW



BACK VIEW

FUTERA II 1750

Notes:

1. Dimensions are approximate and should not be used to "rough-in" equipment.
2. Dimensions are subject to change without notice.