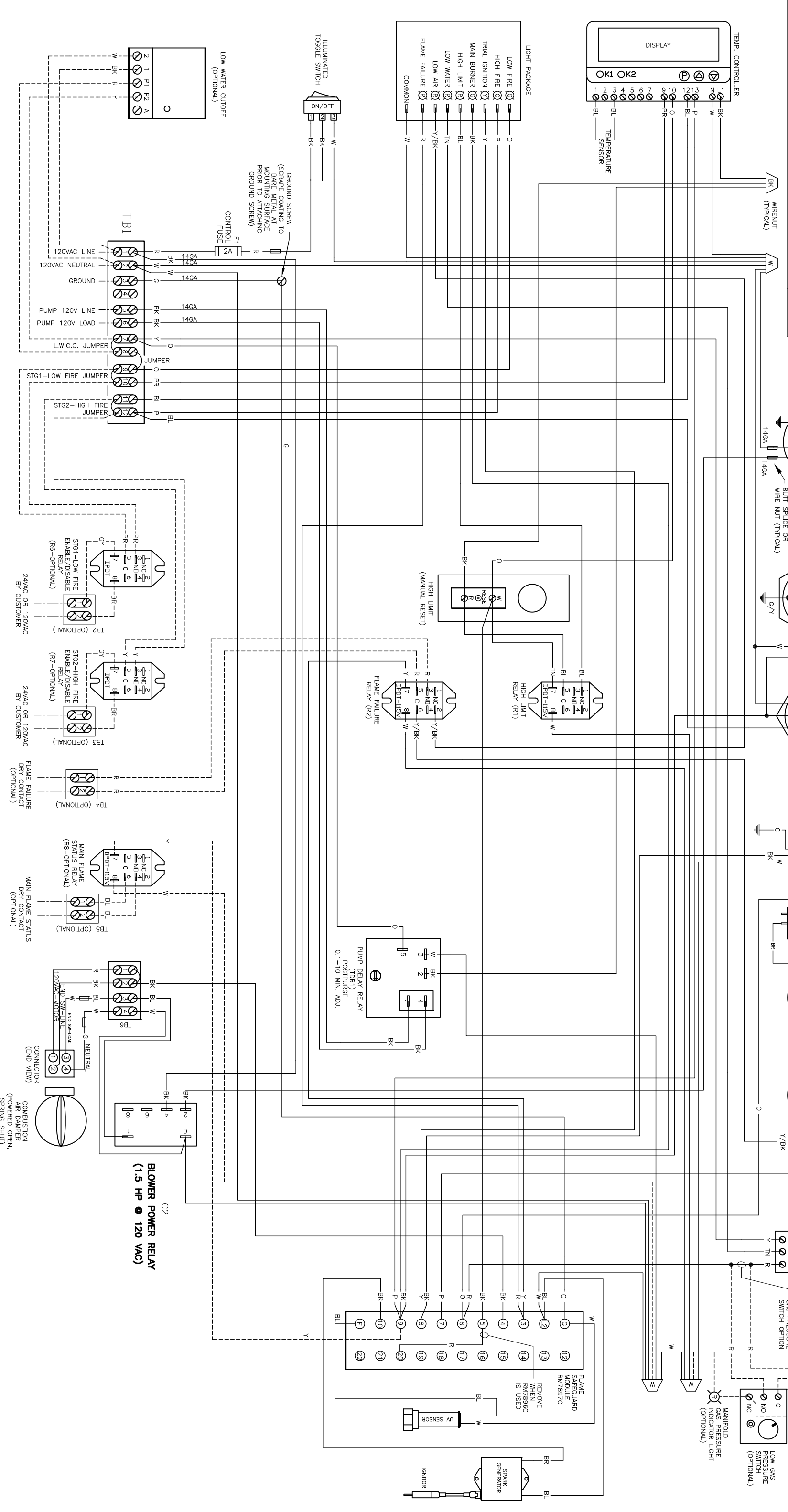


CHANGES	APPR. BY
RELEASED UNDER ECN	1/4HP, 3.6A (500-1000MBH) 1/2HP, 8.2A (1250-1500MBH) 3/4HP, 9.8A (1750-1950MBH)
REV.B: USE THE PILOT VALVE CV10005NW	12/12/05 E.T.
REV.C: REMOVE BLOWER TDR.	07/11/06 E.T.
REV.D: SAFETY VALVE WAS CHANGED FROM HW V49A TO ASCO 8214G. ADDED CONTROL FUSE F1	12/10/10 E.T.
REV.E: USE HONEYWELL CONTROL RM7897C 1000	11/30/11 E.T.
REV.F: ADD BLOCKED AIR INLET & FLUE SW.	11/11/13 E.T.



COLOR CODE:	W-WHITE GY-GRAY PR-PURPLE Y-YELLOW O-ORANGE R-RED TN-TAN
WIRE CODE:	FACTORY WIRING FIELD WIRING OPTION WIRING

NOTES:
 1. ALL WIRES SHALL BE #18AWG UNLESS SPECIFIED. WIRE TYPE SHALL BE TW, 600V, STRANDED 16x30, WITH INSULATION RATED FOR 105°C OR EQUIVALENT.
 2. USE CABLE TIES, CABLE FASTENERS, SPADE TERMINALS, WALE CONNECTORS, WIRENUTS, ETC. AS REQUIRED.
 3. REMOVE LOW FIRE AND HIGH FIRE JUMPER(S) WHEN THERMOSTAT OR OTHER DEMAND CONTROL IS USED.
 REMOVE LOW WATER CUTOFF JUMPER WHEN LOW WATER CUTOFF IS USED.

THIS PRINT AND ALL INFORMATION APPEARING THEREON ARE THE PROPERTY OF THE RFB DIVISION OF MESTEK INC. NEITHER THE PRINT NOR THE INFORMATION THEREON MAY BE REPRODUCED OR USED IN ANY MANNER WHATSOEVER OR DIVULGED TO ANY OTHER PERSON UNLESS SPECIFICALLY AUTHORIZED BY MESTEK INC.

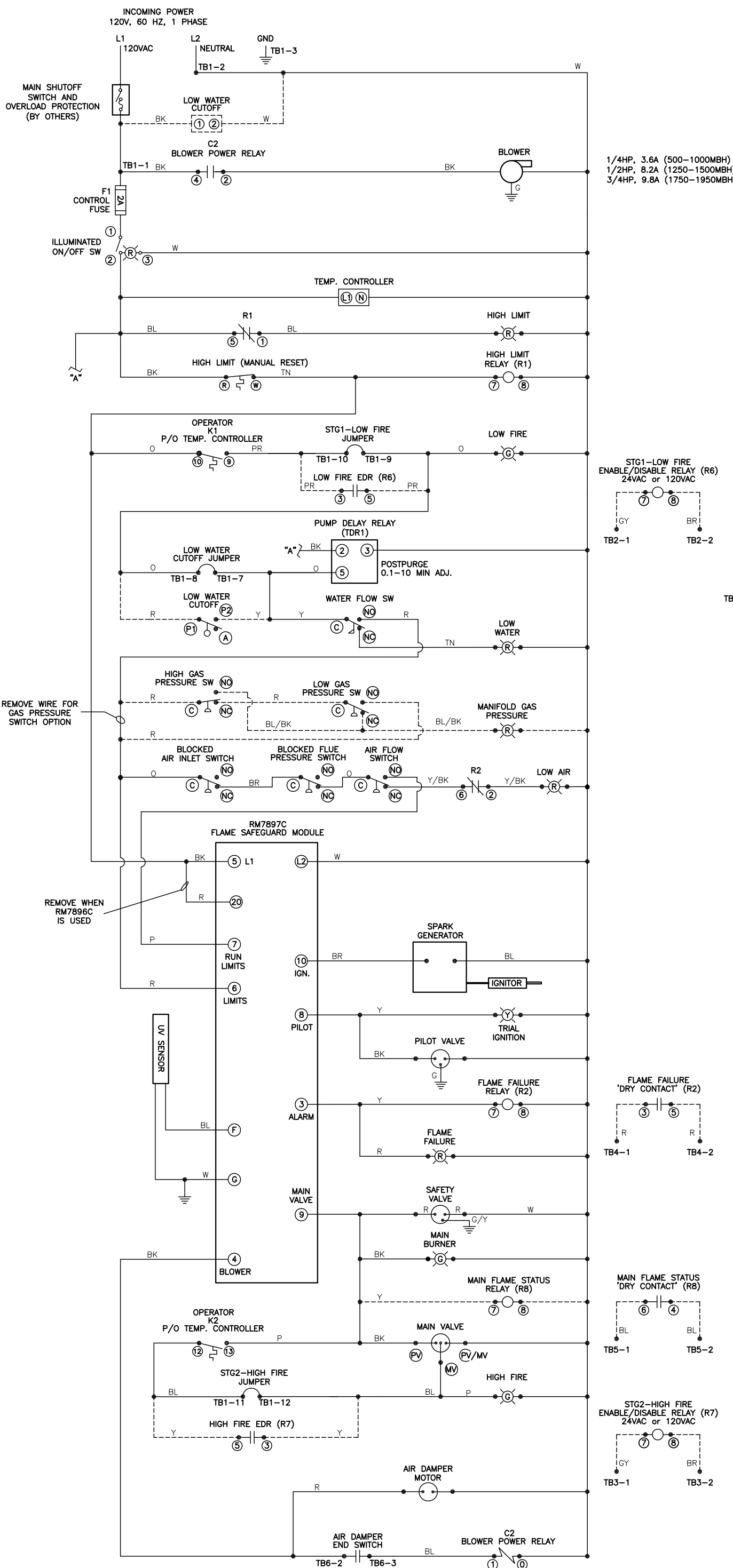
RFB WATER HEATERS
 260 North Elm Street
 Westfield, Mass. 01085

FUTERA II, 750-1950
 STD, FM, CSD-1
 2-STAGE, COMB. AIR
 DAMPER

SCALE:	NONE	SHEET:	1 OF 2	DWG. SIZE:	DRAWING NUMBER
DR. BY:	AC	DATE:	1/24/05		42-0904
CHK. BY:	ET	DATE:	4/28/05		F

CONNECTION DIAGRAM

RELEASED UNDER ECN		
REV.B: USE THE PILOT VALVE C/10005NW	12/12/05	E.T.
REV.C: REMOVE BLOWER TDR.	07/11/06	E.T.
REV.D: SAFETY VALVE WAS CHANGED FROM HW V48A TO ASCO 8214G; ADDED CONTROL FUSE F1	12/10/10	E.T.
REV.E: USE HONEYWELL CONTROL RM7897C 100011/30/11		E.T.
REV.F: ADD BLOCKED AIR INLET & FLUE SW.	11/11/13	E.T.



1/4HP, 3.6A (500-1000MBH)
 1/2HP, 8.2A (1250-1500MBH)
 3/4HP, 9.8A (1750-1950MBH)

STG1-LOW FIRE ENABLE/DISABLE RELAY (R6)
 24VAC or 120VAC

PUMP DELAY RELAY POSTPURGE (TDR1)
 15 AMP MAX.

FLAME FAILURE 'DRY CONTACT' (R2)

MAIN FLAME STATUS 'DRY CONTACT' (R8)

STG2-HIGH FIRE ENABLE/DISABLE RELAY (R7)
 24VAC or 120VAC

COLOR CODE:
 BK-BLACK, BR-BROWN, G-GREEN, Y-YELLOW, W-WHITE, GR-GRAY, PR-PURPLE, F-FLUORESCENT, R-RED, TN-TAN, BL/BR-BLUE/BROWN, BR/GR-BROWN/GREEN, GR/Y-GREEN/YELLOW, Y/PR-YELLOW/PURPLE, PR/BL-PURPLE/BLACK, BK/BL-BLACK/BLUE, BK/BR-BLACK/BROWN, BK/GR-BLACK/GREEN, BK/Y-BLACK/YELLOW, BK/W-BLACK/WHITE, BK/GR/Y-BLACK/GREEN/YELLOW, BK/PR/Y-BLACK/PURPLE/YELLOW, BK/R/Y-BLACK/RED/YELLOW, BK/TN/Y-BLACK/TAN/YELLOW

WIRE CODE:
 FACTORY WIRING
 OPTION WIRING

NOTES:
 1. REMOVE LOW FIRE AND HIGH FIRE JUMPER(S) WHEN THERMOSTAT OR OTHER DEMAND CONTROL IS USED.
 REMOVE LOW WATER CUTOFF JUMPER WHEN LOW WATER CUTOFF IS USED.

THIS PRINT AND ALL INFORMATION APPEARING THEREON IS THE PROPERTY OF THE RFI DIVISION OF MESTEK INC. NEITHER THE PRINT NOR THE INFORMATION THEREON MAY BE REPRODUCED OR USED IN ANY MANNER WHATSOEVER OR DIVULGED TO ANY OTHER PERSON UNLESS SPECIFICALLY AUTHORIZED BY MESTEK INC.

WATER HEATERS
 280 North Elm Street
 Westfield, Mass. 01085

FUTERA II, 750-1950 STD, FM, CSD-1 2-STAGE, AIR DAMPER

SCALE:	NONE	SHEET:	2 of 2	DWG. SIZE:	
DR. BY:	AC	DATE:	1/24/05	DRAWING NUMBER:	42-0904
CK. BY:	ET,RT	DATE:	4/28/05		

LADDER DIAGRAM