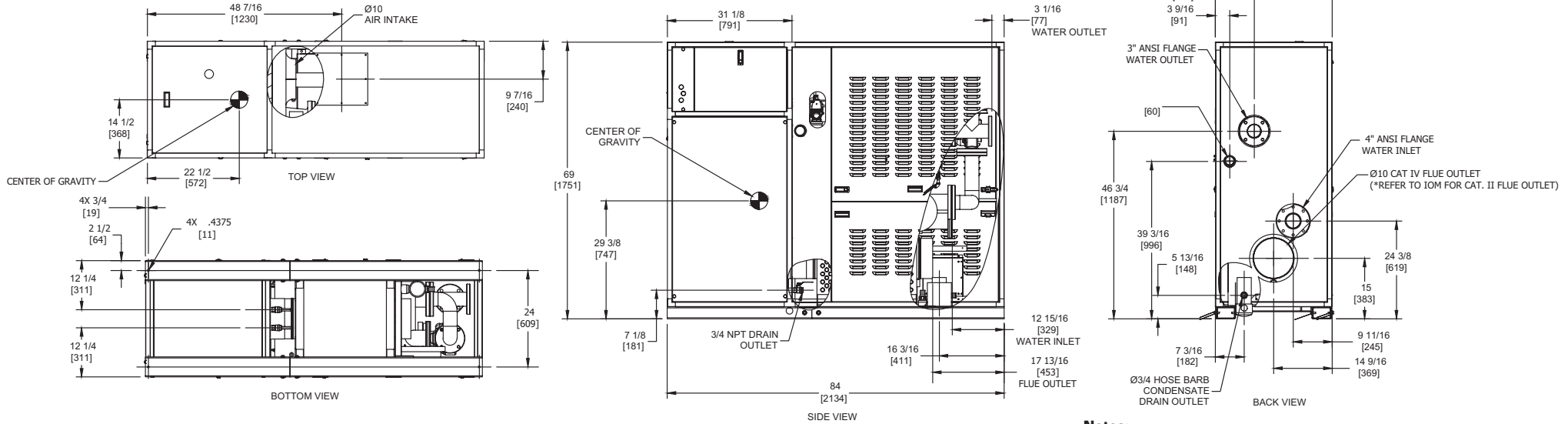


INDOOR UNIT



- Notes:**
 1. Dimensions are approximate and should not be used to "rough-in" equipment.
 2. Dimensions are subject to change without notice.

BOILER CERTIFIED RATINGS & CAPACITIES

Fuel Type	Natural/Propane Gas	Total FLA	24.7* @ 230V
Input BTU/hr.	4,000,000 / 1172 kW	Min. Gas Pressure Required	3.5" W.C.**
Output BTU/hr.	3,760,000 / 1102 kW	Max. Gas Pressure Allowed	14" W.C.
Electrical Requirements	(L1, L2, L3, GND) 208-230VAC / 3PH / 60 Hz	Operating Weight	2,799 lbs / 1,271 Kg

BOILER TEMPERATURE RISE / PRESSURE DROP

30°F / 16.7°C			
Flow Rate***		Total Loss****	
GPM	L/s	Ft	kPa
232.0	14.6	36.9	110.3

*** Primary Heat Exchanger
 **** Includes primary, secondary, mixing valve and piping.

BOILER / WATER HEATER TRIM & CONTROLS

Main Gas Valve	Dungs MBC 4000	Air Switch	HUBA
Firing Valve	2"	Blower Motor	American Fan 5 HP - FLA 14
Ignition Control	Honeywell RM7895C	Relief Valve - CW	1" x 1" set @ 125 psi
Operating Control	HeatNetTM	Relief Valve - CB	1-1/2" x 1-1/2" set @ 50 psi
High Limit	Jumo	Flow Switch	ITT FS8W
Main Ball Valve	2"	Pilot Regulator	White-Rodgers 25m
Economizer	RBI-4000	Circulator - CW	B&G Series 580 (5 HP) - FLA 14
Mixing Valve	3"	Circulator - CB	B&G Series e-80 (5 HP) - FLA 14
		By-Pass Piping	3"

WATER HEATER HOURLY RECOVERY CAPACITY (GPH & LPH)

40°F	22°C	60°F	33°C	80°F	44°C	100°F	56°C	120°F	67°C	140°F	78°C
11,405	43,109	7,603	28,739	5,702	21,555	4,562	17,244	3,802	14,370	3,258	12,317

A.S.M.E.

ASME Sect IV Htg Surface	435.0 Sq Ft / 40.41 Sq M	Design Data	Max. 125 psig & 250°F
Water Volume	14.0 gal / 53.00 Liters		
Water Volume Secondary HX	16.2 gal / 61.32 Liters		

* Includes pump
 ** For incoming gas pressures lower than 3.5" W.C. natural or propane, consult factory.

REP FIRM _____
SUBMITTED BY _____
JOB NAME _____
ARCHITECT _____
ENGINEER _____
CONTRACTOR _____
DATE _____

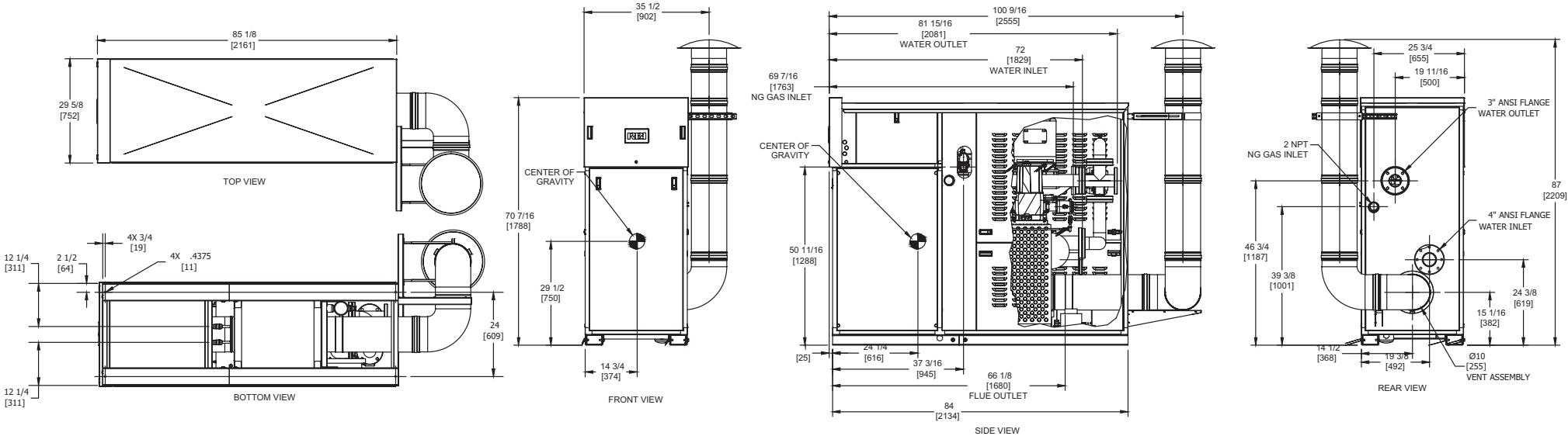
FUSION XLF 4000

Category II or IV Appliance
 (see Installation and Operation Manual for venting information)



A Division of Mestek, Inc.
 Westfield, MA 01085
 (413) 568-9571

OUTDOOR UNIT



FUSION XLF 4000

- Notes:**
1. Dimensions are approximate and should not be used to "rough-in" equipment.
 2. Dimensions are subject to change without notice.