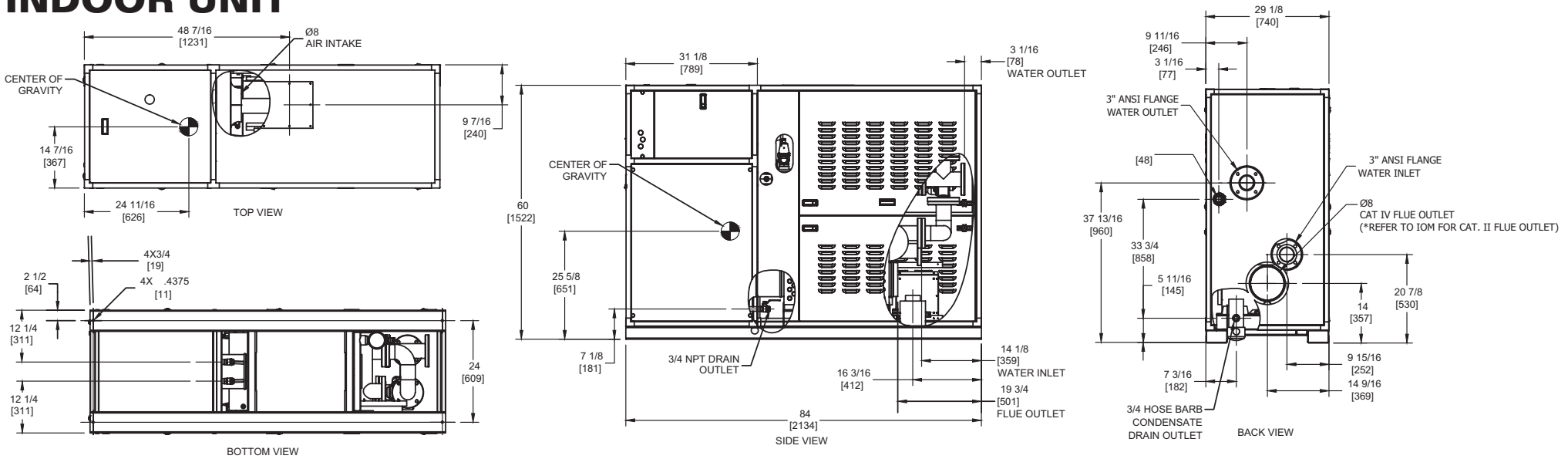


# INDOOR UNIT



- Notes:**  
 1. Dimensions are approximate and should not be used to "rough-in" equipment.  
 2. Dimensions are subject to change without notice.

## BOILER CERTIFIED RATINGS & CAPACITIES

<b>Fuel Type</b>	Natural/Propane Gas	<b>Total FLA</b>	25.5* @ 230V
<b>Input BTU/hr.</b>	3,000,000 / 879 kW	<b>Min. Gas Pressure Required</b>	3.5" W.C.**
<b>Output BTU/hr.</b>	2,820,000 / 826 kW	<b>Max. Gas Pressure Allowed</b>	14" W.C.
<b>Electrical Requirements</b>	(L1, L2, NEU, GND) 208-230 VAC / 1PH / 60Hz	<b>Operating Weight</b>	2,407 lbs / 1,093 Kg

## BOILER TEMPERATURE RISE / PRESSURE DROP

30°F / 16.7°C			
Flow Rate***		Total Loss****	
GPM	L/s	Ft	kPa
174.0	10.9	23.5	70.2

\*\*\* Primary Heat Exchanger  
 \*\*\*\* Includes primary, secondary, mixing valve and piping.

## BOILER / WATER HEATER TRIM & CONTROLS

<b>Main Gas Valve</b>	Dungs MBC 2500	<b>Air Switch</b>	HUBA
<b>Firing Valve</b>	2"	<b>Blower Motor</b>	American Fan 3HP - FLA 8
<b>Ignition Control</b>	Honeywell RM7895C	<b>Relief Valve - CW</b>	3/4" x 3/4" set @ 125 psi
<b>Operating Control</b>	HeatNet®	<b>Relief Valve - CB</b>	1" x 1-1/4" set @ 50 psi
<b>High Limit</b>	Jumo	<b>Flow Switch</b>	ITT FS8W
<b>Main Ball Valve</b>	2"	<b>Pilot Regulator</b>	White-Rodgers 25m
<b>Economizer</b>	RBI-3000	<b>Circulator - CW</b>	B&G Series 580 (3HP) - FLA 17
<b>Mixing Valve</b>	3"	<b>Circulator - CB</b>	B&G Series e-80 (2 HP) - FLA 12
		<b>By-Pass Piping</b>	3"

## WATER HEATER HOURLY RECOVERY CAPACITY (GPH & LPH)

40°F	22°C	60°F	33°C	80°F	44°C	100°F	56°C	120°F	67°C	140°F	78°C
8,355	31,583	5,570	21,055	4,178	15,792	3,342	12,633	2,785	10,528	2,387	9,024

## A.S.M.E.

<b>ASME Sect IV Htg Surface</b>	325.0 Sq Ft / 30.19 Sq M	<b>Design Data</b>	Max. 125 psig & 250°F
<b>Water Volume</b>	12.8 gal / 48.45 Liters		
<b>Water Volume Secondary HX</b>	11.5 gal / 43.53 Liters		

\* Includes pump  
 \*\* For incoming gas pressures lower than 3.5" W.C. natural or propane, consult factory.

**REP FIRM** \_\_\_\_\_  
**SUBMITTED BY** \_\_\_\_\_  
**JOB NAME** \_\_\_\_\_  
**ARCHITECT** \_\_\_\_\_  
**ENGINEER** \_\_\_\_\_  
**CONTRACTOR** \_\_\_\_\_  
**DATE** \_\_\_\_\_

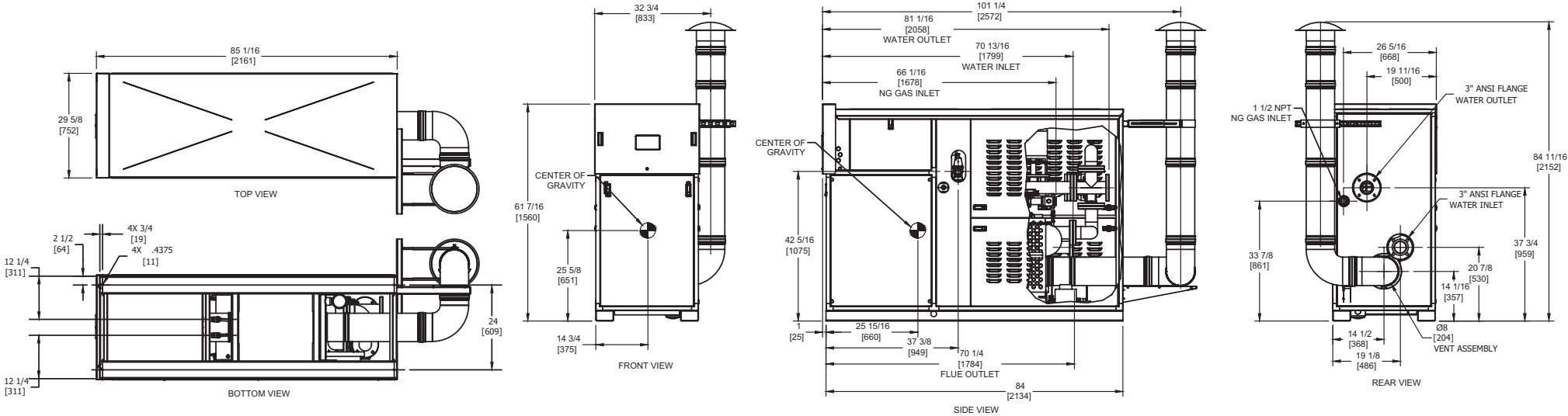
# FUSION XLF 3000

**Category II or IV Appliance**  
 (see Installation and Operation Manual for venting information)



A Division of Mestek, Inc.  
 Westfield, MA 01085  
 (413) 568-9571

# OUTDOOR UNIT



- Notes:**
1. Dimensions are approximate and should not be used to "rough-in" equipment.
  2. Dimensions are subject to change without notice.

**FUSION XLF 3000**