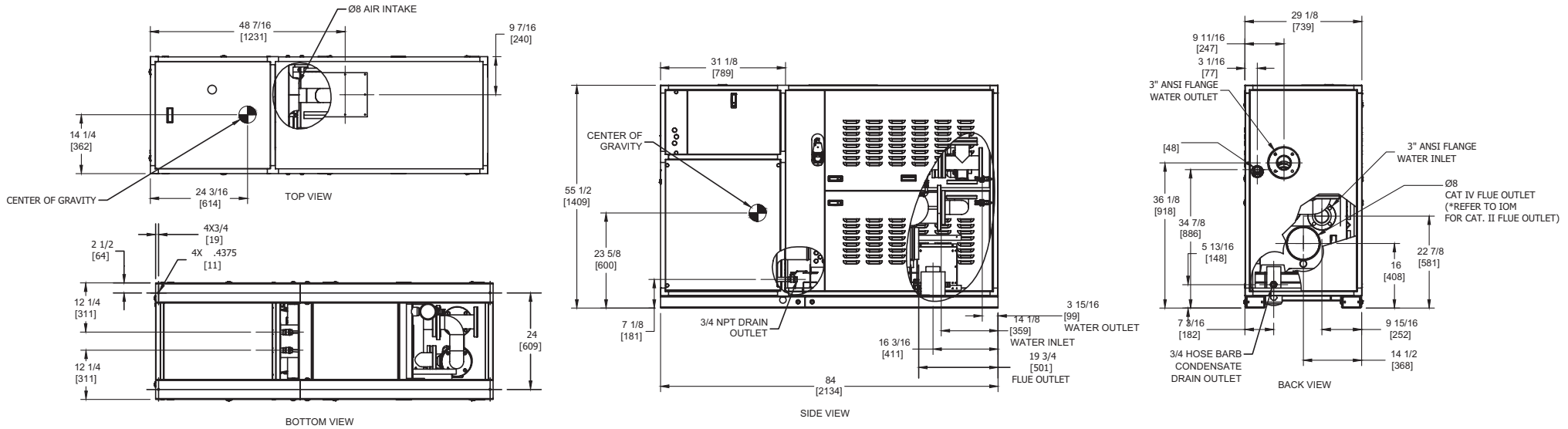


INDOOR UNIT

RSUB-140 REV E



- Notes:**
 1. Dimensions are approximate and should not be used to "rough-in" equipment.
 2. Dimensions are subject to change without notice.

BOILER CERTIFIED RATINGS & CAPACITIES

Fuel Type	Natural/Propane Gas	Total FLA	25.5" @ 230V
Input BTU/hr.	2,500,000 / 733 kW	Min. Gas Pressure Required	3.5" W.C.**
Output BTU/hr.	2,350,000 / 689 kW	Max. Gas Pressure Allowed	14" W.C.
Electrical Requirements	(L1, L2, NEU, GND) 208-230 VAC / 1PH / 60Hz	Operating Weight	2,348 lbs / 1,066 Kg

BOILER TEMPERATURE RISE / PRESSURE DROP

25°F / 13.9°C			
Flow Rate***		Total Loss****	
GPM	L/s	Ft	kPa
174.0	10.9	23.2	69.3

*** Primary Heat Exchanger
 **** Includes primary, secondary, mixing valve and piping.

BOILER / WATER HEATER TRIM & CONTROLS

Main Gas Valve	Dungs MBC 2500	Air Switch	HUBA
Firing Valve	1 1/2"	Blower Motor	American Fan 3HP - FLA 8
Ignition Control	Honeywell RM7895C	Relief Valve - CW	3/4" x 3/4" set @ 125 psi
Operating Control	HeatNet®	Relief Valve - CB	1" x 1-1/4" set @ 50 psi
High Limit	Jumo	Flow Switch	ITT FS8W
Main Ball Valve	1 1/2"	Pilot Regulator	White-Rodgers 25m
Economizer	RBI-3000	Circulator - CW	B&G Series 580 (3HP) - FLA 17
Mixing Valve	3"	Circulator - CB	B&G Series e-80 (2 HP) - FLA 12
		By-Pass Piping	3"

WATER HEATER HOURLY RECOVERY CAPACITY (GPH & LPH)

40°F	22°C	60°F	33°C	80°F	44°C	100°F	56°C	120°F	67°C	140°F	78°C
6,880	26,007	4,587	17,338	3,440	13,004	2,752	10,403	2,293	8,669	1,966	7,431

A.S.M.E.

ASME Sect IV Htg Surface	267.5 Sq Ft / 24.85 Sq M	Design Data	Max. 125 psig & 250°F
Water Volume	12.1 gal / 42.80 Liters		
Water Volume Secondary HX	11.5 gal / 43.53 Liters		

* Includes pump
 ** For incoming gas pressures lower than 3.5" W.C. natural or propane, consult factory.

REP FIRM _____
SUBMITTED BY _____
JOB NAME _____
ARCHITECT _____
ENGINEER _____
CONTRACTOR _____
DATE _____

FUSION XLF 2500

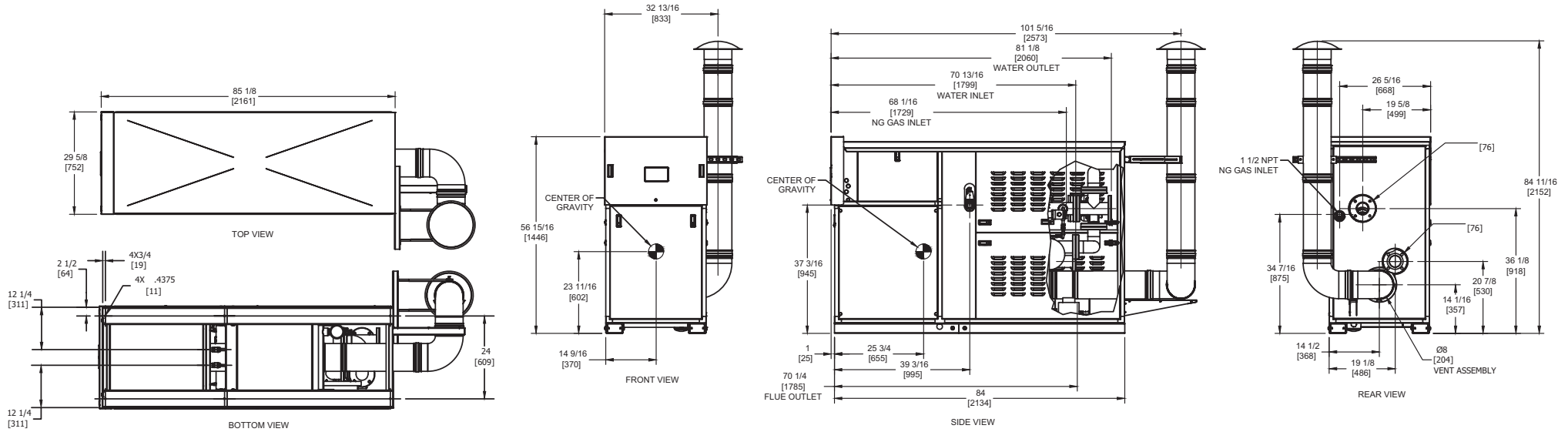
Category II or IV Appliance
 (see Installation and Operation Manual for venting information)

A Division of Mestek, Inc.
 Westfield, MA 01085
 (413) 568-9571

RELIABLE. BOLD. INNOVATIVE.

OUTDOOR UNIT

RSUB-144 REV E



FUSION XLF 2500

Notes:

1. Dimensions are approximate and should not be used to "rough-in" equipment.
2. Dimensions are subject to change without notice.