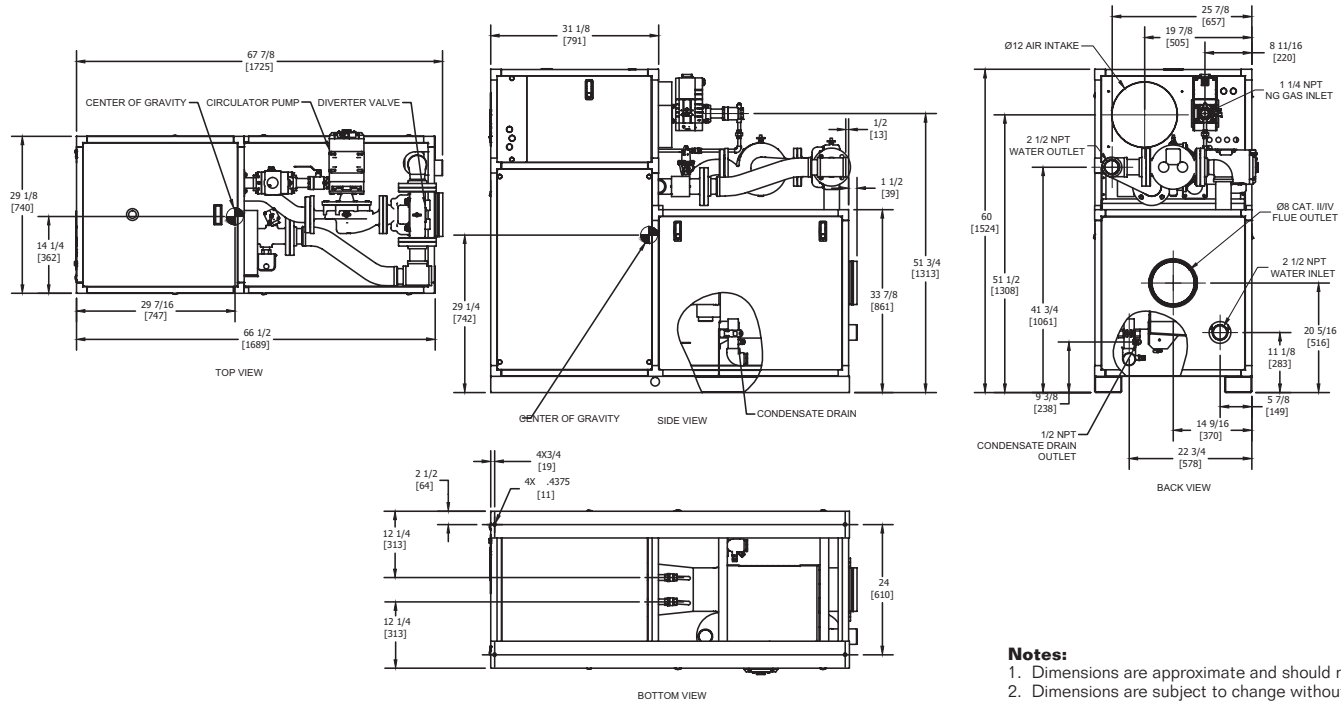


INDOOR UNIT

RSUB-100 REV H

CODE OPTIONS

CSD-1 Manual Reset LWCO



Notes:

1. Dimensions are approximate and should not be used to "rough-in" equipment.
2. Dimensions are subject to change without notice.

BOILER CERTIFIED RATINGS & CAPACITIES

Fuel Type	Natural/Propane Gas	Total FLA	18.1* @ 230V
Input BTU/hr.	1,500,000 / 440 kW	Min. Gas Pressure Required	2" W.C.**
Output BTU/hr.	1,429,500 / 419 kW	Max. Gas Pressure Allowed	14" W.C.
Electrical Requirements	(L1, L2, NEU, GND) 208-240 VAC / 1 ph / 60 hz	Operating Weight	1,260 lbs. / 572 kg.

BOILER TEMPERATURE RISE / PRESSURE DROP

25°F / 13.9°C				30°F / 16.7°C			
Flow Rate***	Total Loss****			Flow Rate***	Total Loss****		
GPM	L/s	Ft	kPa	GPM	L/s	Ft	kPa
104.4	6.6	10.6	31.7	87.0	5.5	8.5	25.4

*** Primary heat exchanger.

**** Includes primary, secondary, mixing valve and piping.

WATER HEATER HOURLY RECOVERY CAPACITY (GPH & LPH)

40°F	22°C	60°F	33°C	80°F	44°C	100°F	56°C	120°F	67°C	140°F	78°C
4,277	16,166	2,851	10,777	2,138	8,083	1,711	6,466	1,426	5,389	1,222	4,619

BOILER / WATER HEATER TRIM & CONTROLS

Main Gas Valve	Dungs MBC-SE	Air Switch	Cleveland NS2
Firing Valve	1 1/4"	Blower Motor	Fasco 1 hp
Ignition Control	Honeywell RM7895C	Relief Valve - CW	3/4" x 3/4" set @ 125 psi
Operating Control	HeatNet®	Relief Valve - CB	1" x 1 1/4" set @ 50 psi
High Limit	Jumo	Flow Switch	TACO
Main Ball Valve	1 1/4"	Pilot Regulator	White-Rodgers 25m
Economizer	RBI-1500	Circulator	TACO 1935 (1 hp) - FLA 14
Mixing Valve	2 1/2"	By-Pass Piping	2 1/2"

A.S.M.E.

ASME Sect IV Htg Surface	161.16 Sq. Ft. / 14.97 Sq. M.	Design Data	Max. 125 psig & 250°F
Water Volume	5 gal. / 18.93 Liters		
Water Volume Secondary HX	5.9 gal. / 22.56 Liters		

* Includes pump

** For incoming gas pressures lower than 2" W.C. natural or propane, consult factory.

REP FIRM _____
SUBMITTED BY _____
JOB NAME _____
ARCHITECT _____
ENGINEER _____
CONTRACTOR _____
DATE _____

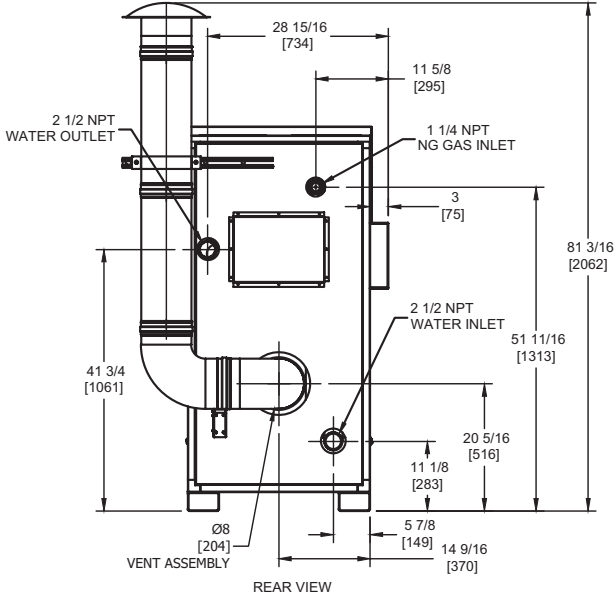
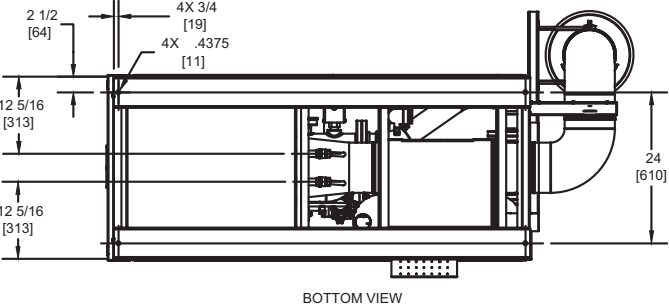
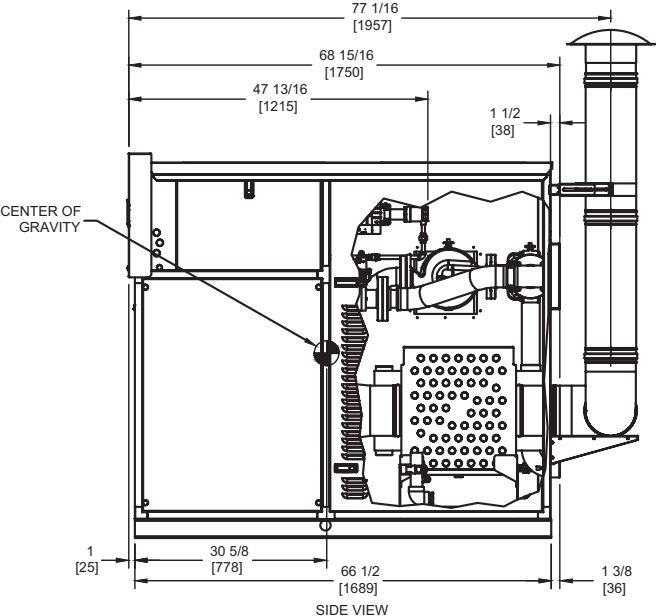
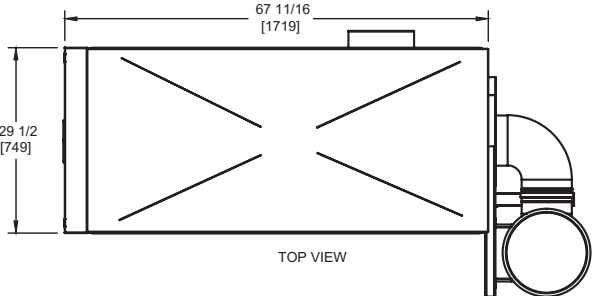
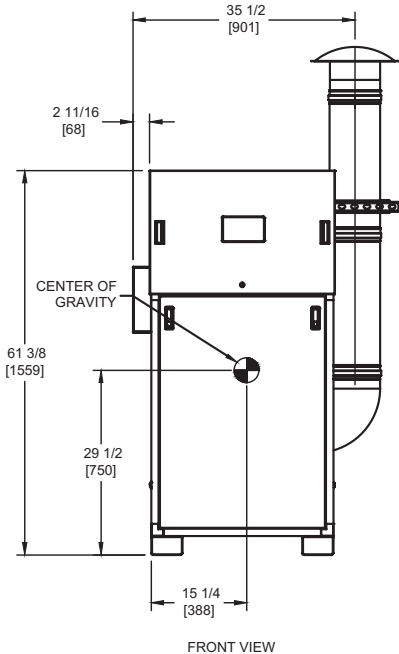
FUTERA FUSION 1500

Category II or IV Appliance
(see Installation and Operation Manual for venting information)

RBI®
RELIABLE. BOLD. INNOVATIVE.

A Division of Mestek, Inc.
Westfield, MA 01085
(413) 568-9571

OUTDOOR UNIT



FUTERA FUSION 1500

- Notes:**
1. Dimensions are approximate and should not be used to "rough-in" equipment.
 2. Dimensions are subject to change without notice.