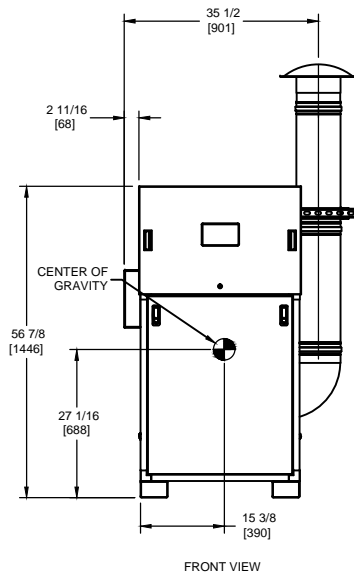
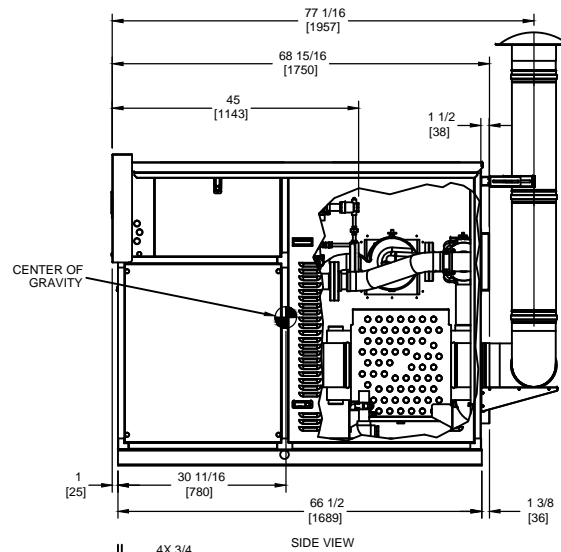


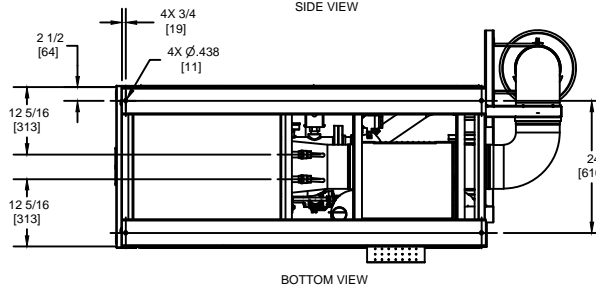
TOP VIEW



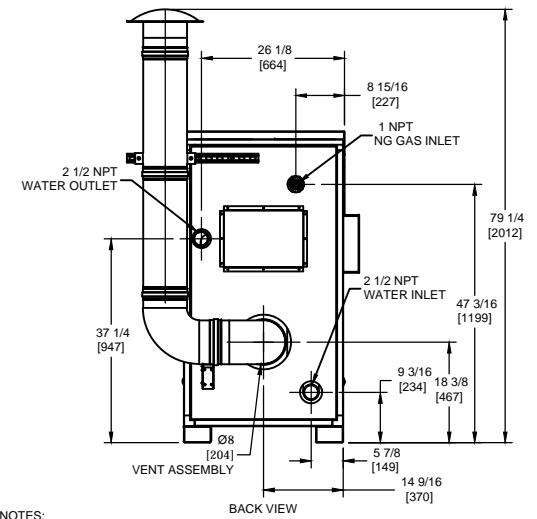
FRONT VIEW



SIDE VIEW




BOTTOM VIEW



BACK VIEW

NOTES:

- 1.)  SYMBOL INDICATES CENTER OF GRAVITY
- 2.) DIMENSIONS ARE NOMINAL AND SUBJECT TO MANUFACTURING VARIATION AND SHOULD NOT BE USED FOR 'ROUGH IN'.
- 3.) ALL DIMENSIONS ARE INCHES[MM].