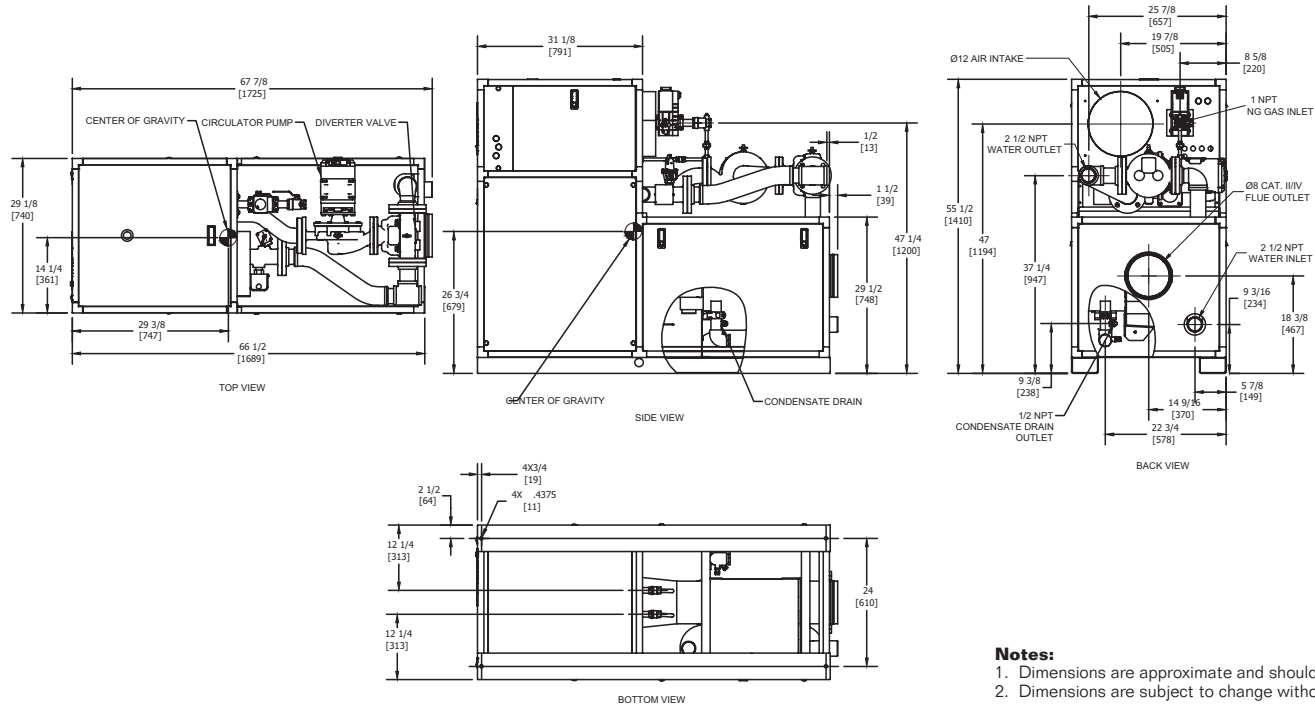


# INDOOR UNIT

RSUB-99 REV H

## CODE OPTIONS

**CSD-1** Manual Reset LWCO



### Notes:

1. Dimensions are approximate and should not be used to "rough-in" equipment.
2. Dimensions are subject to change without notice.

## BOILER CERTIFIED RATINGS & CAPACITIES

<b>Fuel Type</b>	Natural/Propane Gas	<b>Total FLA</b>	16.7* @ 230V
<b>Input BTU/hr.</b>	1,250,000 / 366 kW	<b>Min. Gas Pressure Required</b>	2" W.C.**
<b>Output BTU/hr.</b>	1,190,000 / 349 kW	<b>Max. Gas Pressure Allowed</b>	14" W.C.
<b>Electrical Requirements</b>	(L1, L2, NEU, GND) 208-240 VAC / 1 ph / 60 hz	<b>Operating Weight</b>	1,171 lbs. / 532 kg.

## BOILER TEMPERATURE RISE / PRESSURE DROP

20°F / 11.1°C				25°F / 13.9°C			
Flow Rate***	Total Loss****			Flow Rate***	Total Loss****		
GPM	L/s	Ft	kPa	GPM	L/s	Ft	kPa
108.8	6.9	10.6	31.7	87.0	5.5	8.2	24.5

\*\*\* Primary heat exchanger.

\*\*\*\* Includes primary, secondary, mixing valve and piping.

## WATER HEATER HOURLY RECOVERY CAPACITY (GPH & LPH)

40°F	22°C	60°F	33°C	80°F	44°C	100°F	56°C	120°F	67°C	140°F	78°C
3,583	13,543	2,388	9,028	1,791	6,771	1,433	5,417	1,194	4,514	1,024	3,869

## BOILER / WATER HEATER TRIM & CONTROLS

<b>Main Gas Valve</b>	Dungs MBC-SE	<b>Air Switch</b>	Cleveland NS2
<b>Firing Valve</b>	1"	<b>Blower Motor</b>	Fasco 1 hp
<b>Ignition Control</b>	Honeywell RM7895C	<b>Relief Valve - CW</b>	3/4" x 3/4" set @ 125 psi
<b>Operating Control</b>	HeatNet®	<b>Relief Valve - CB</b>	3/4" x 1" set @ 50 psi
<b>High Limit</b>	Jumo	<b>Flow Switch</b>	TACO
<b>Main Ball Valve</b>	1"	<b>Pilot Regulator</b>	White-Rodgers 25m
<b>Economizer</b>	RBI-1500	<b>Circulator</b>	TACO 1935 (3/4 hp) - FLA 11
<b>Mixing Valve</b>	2 1/2"	<b>By-Pass Piping</b>	2 1/2"

## A.S.M.E.

<b>ASME Sect IV Htg Surface</b>	133.76 Sq. Ft. / 12.43 Sq. M.	<b>Design Data</b>	Max. 125 psig & 250°F
<b>Water Volume</b>	4.7 gal. / 17.79 Liters		
<b>Water Volume Secondary HX</b>	5.9 gal. / 22.56 Liters		

\* Includes pump

\*\* For incoming gas pressures lower than 2" W.C. natural or propane, consult factory.

REP FIRM \_\_\_\_\_  
 SUBMITTED BY \_\_\_\_\_  
 JOB NAME \_\_\_\_\_  
 ARCHITECT \_\_\_\_\_  
 ENGINEER \_\_\_\_\_  
 CONTRACTOR \_\_\_\_\_  
 DATE \_\_\_\_\_

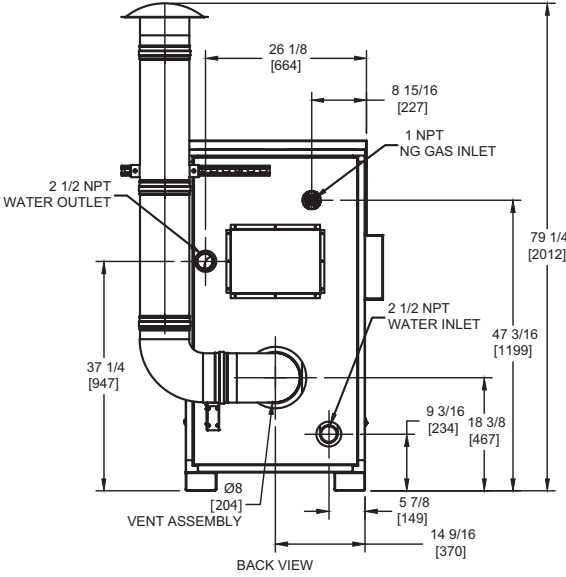
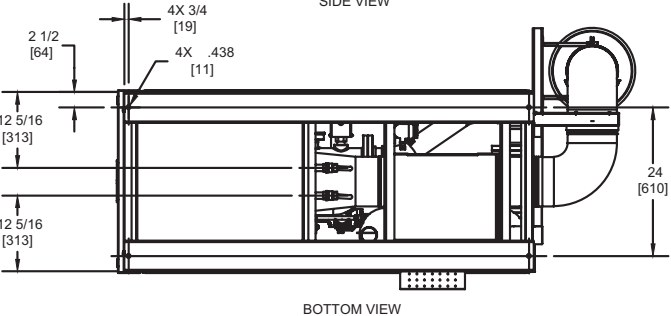
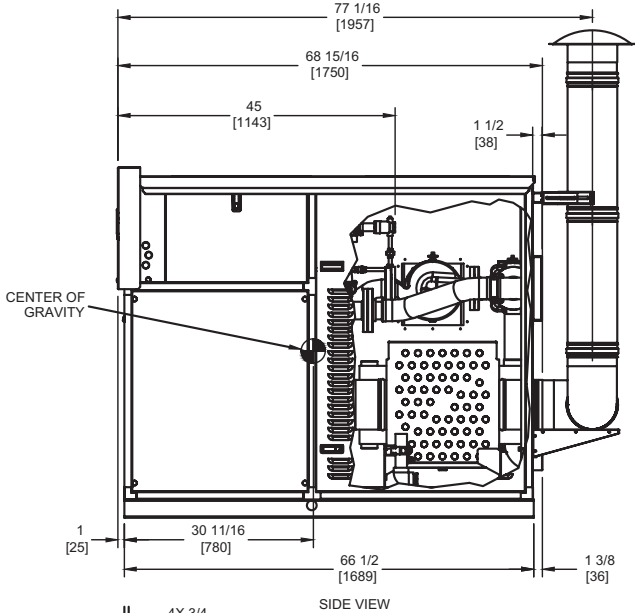
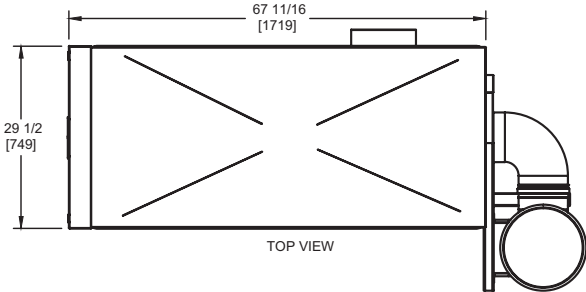
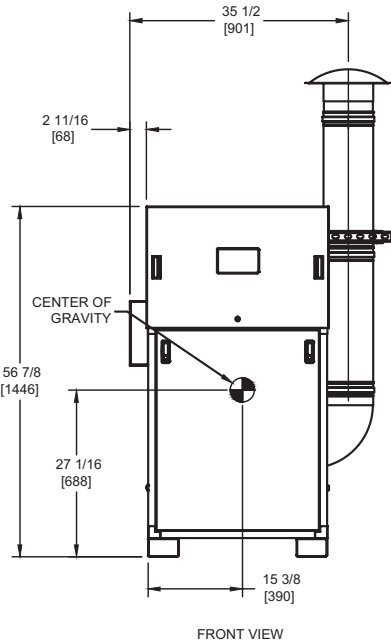
## FUTERA FUSION 1250

**Category II or IV Appliance**  
 (see Installation and Operation Manual for venting information)

**RBI**®  
 RELIABLE. BOLD. INNOVATIVE.

A Division of Mestek, Inc.  
 Westfield, MA 01085  
 (413) 568-9571

# OUTDOOR UNIT



## FUTERA FUSION 1250

- Notes:**
1. Dimensions are approximate and should not be used to "rough-in" equipment.
  2. Dimensions are subject to change without notice.