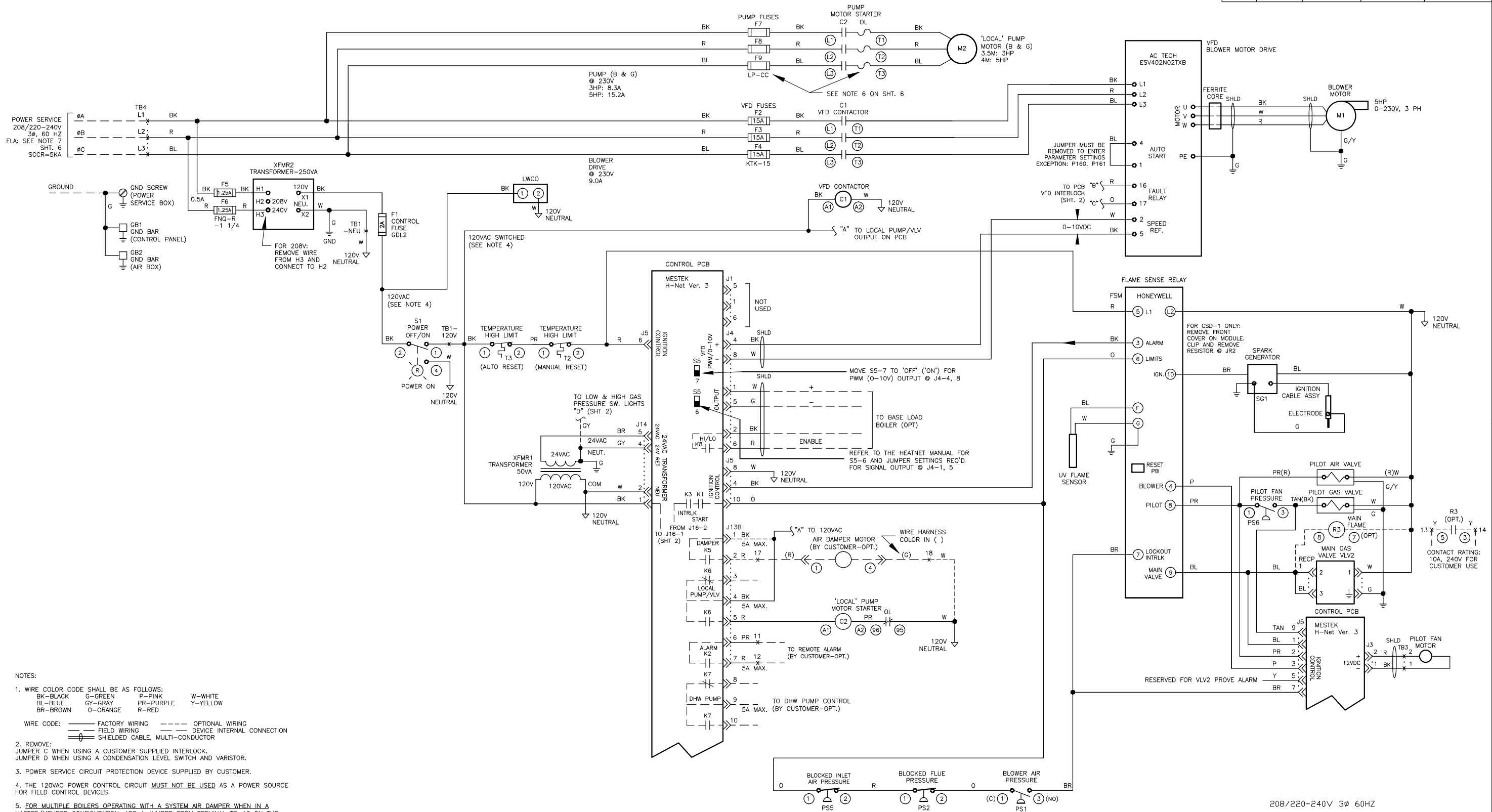


REVISIONS				
REV.	EN NO.	DATE	DRAWN BY	APPROVED
D	10754	12/01/16	LAH	JAS



- NOTES:
- WIRE COLOR CODE SHALL BE AS FOLLOWS:  
 BK-BLACK G-GREEN P-PINK W-WHITE  
 BL-BLUE GY-GRAY PR-PURPLE Y-YELLOW  
 BR-BROWN O-ORANGE R-RED
  - WIRE CODE: ——— FACTORY WIRING - - - - - OPTIONAL WIRING  
 - - - - - FIELD WIRING - - - - - DEVICE INTERNAL CONNECTION  
 ⊕ SHIELDED CABLE, MULTI-CONDUCTOR
  - REMOVE:  
 JUMPER C WHEN USING A CUSTOMER SUPPLIED INTERLOCK.  
 JUMPER D WHEN USING A CONDENSATION LEVEL SWITCH AND VARISTOR.
  - POWER SERVICE CIRCUIT PROTECTION DEVICE SUPPLIED BY CUSTOMER.
  - THE 120VAC POWER CONTROL CIRCUIT MUST NOT BE USED AS A POWER SOURCE FOR FIELD CONTROL DEVICES.
  - FOR MULTIPLE BOILERS OPERATING WITH A SYSTEM AIR DAMPER WHEN IN A MASTER/MEMBER CONFIGURATION: ADD A JUMPER FROM TERMINAL TB-16 ON THE MASTER BOILER TO TERMINAL TB-16 ON ALL MEMBER BOILERS.
  - 7 ---
  - HEATNET ONLINE, STAGE 2, 3, 4 AND SYSTEM PUMP 2 OUTPUTS ARE NOT AVAILABLE WITH THE H-NET "LITE" CONTROL PCB.

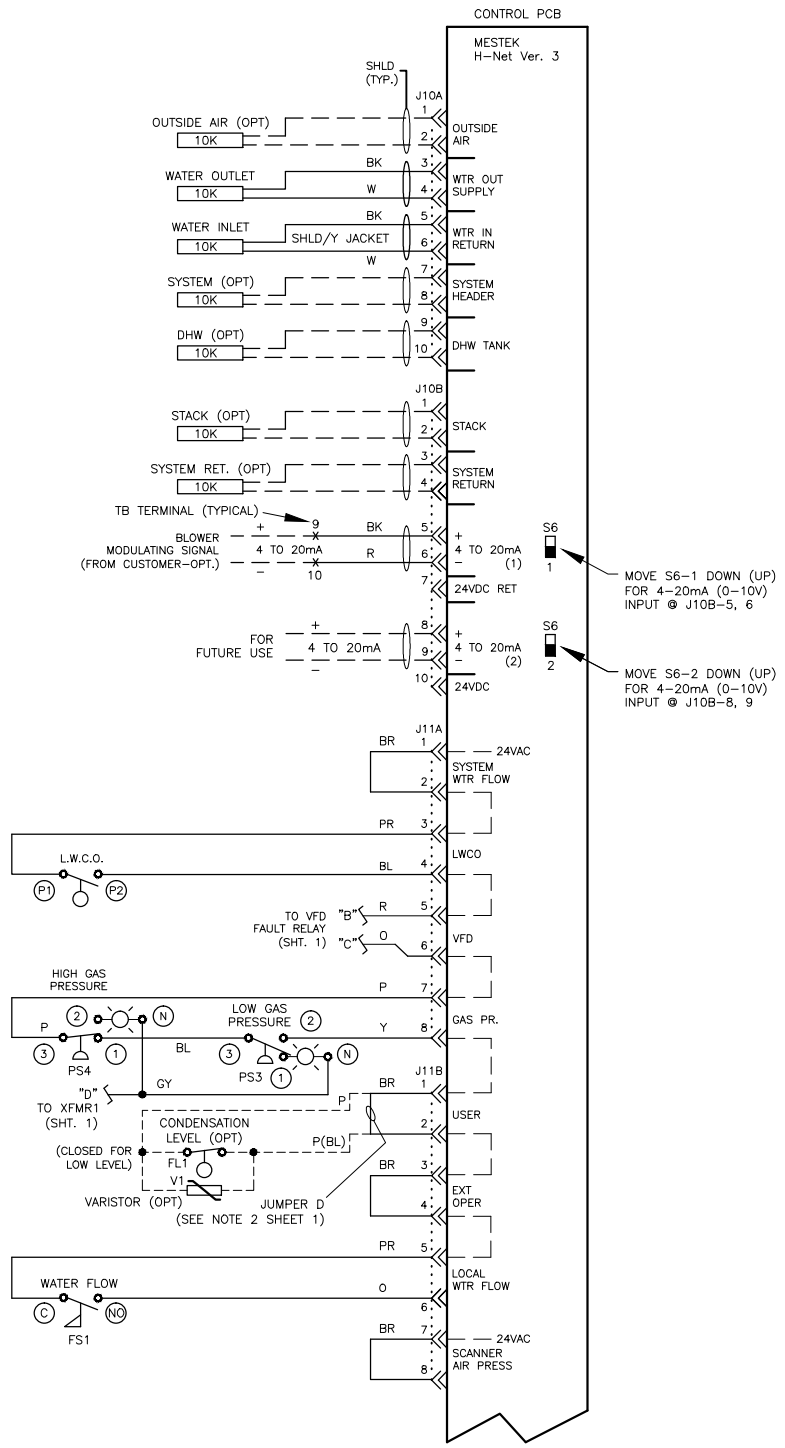
DIVISION	PRODUCT	DRAWN BY	DATE	DRAWING DESCRIPTION		
RBI	CB & CW 3500 TO 4000	RT	08/28/12	LADDER DIAGRAM		
THE PRINT AND ALL INFORMATION THEREON IS PROPERTY OF THE RBI DIVISION OF MESTEK, INC. NEITHER THE PRINT NOR THE INFORMATION THEREON MAY BE REPRODUCED OR USED IN ANY MANNER WHATSOEVER OR DIVULGED TO ANY OTHER PERSON UNLESS SPECIFICALLY AUTHORIZED BY MESTEK, INC.			CHECKED BY	DATE	DRAWING NUMBER	
			RT	08/28/12	42-0608	
APPROVED BY	DATE	SHEET	SHEET SIZE	SCALE	REVISION	
JPC	08/28/12	1 of 6	B	N/A	D	

D  
C  
B  
A

D  
C  
B  
A

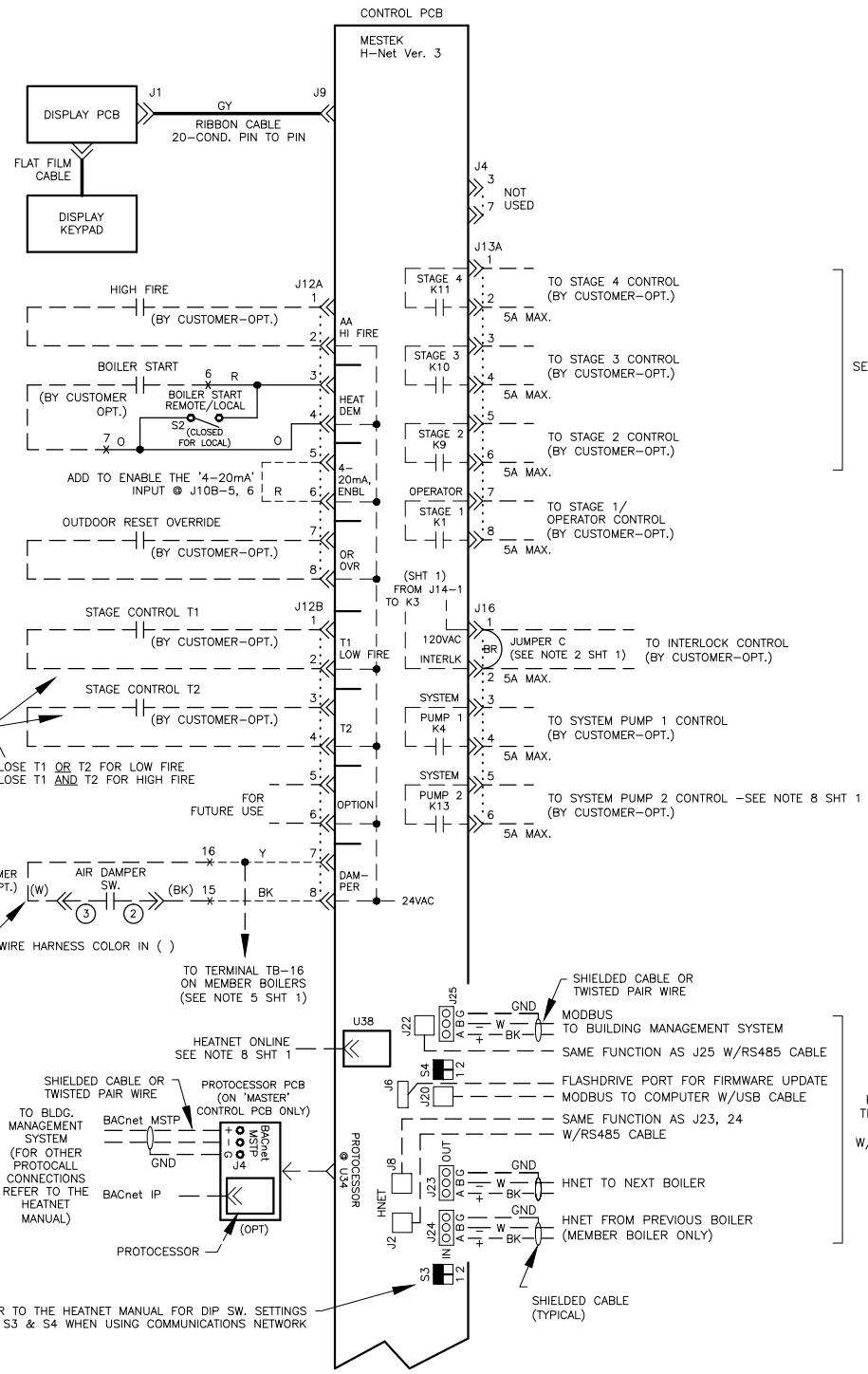
TEMPERATURE SENSORS  
(10K THERMISTOR INPUTS)

INTERLOCKS  
(DRY CONTACT OR JUMPER INPUTS)

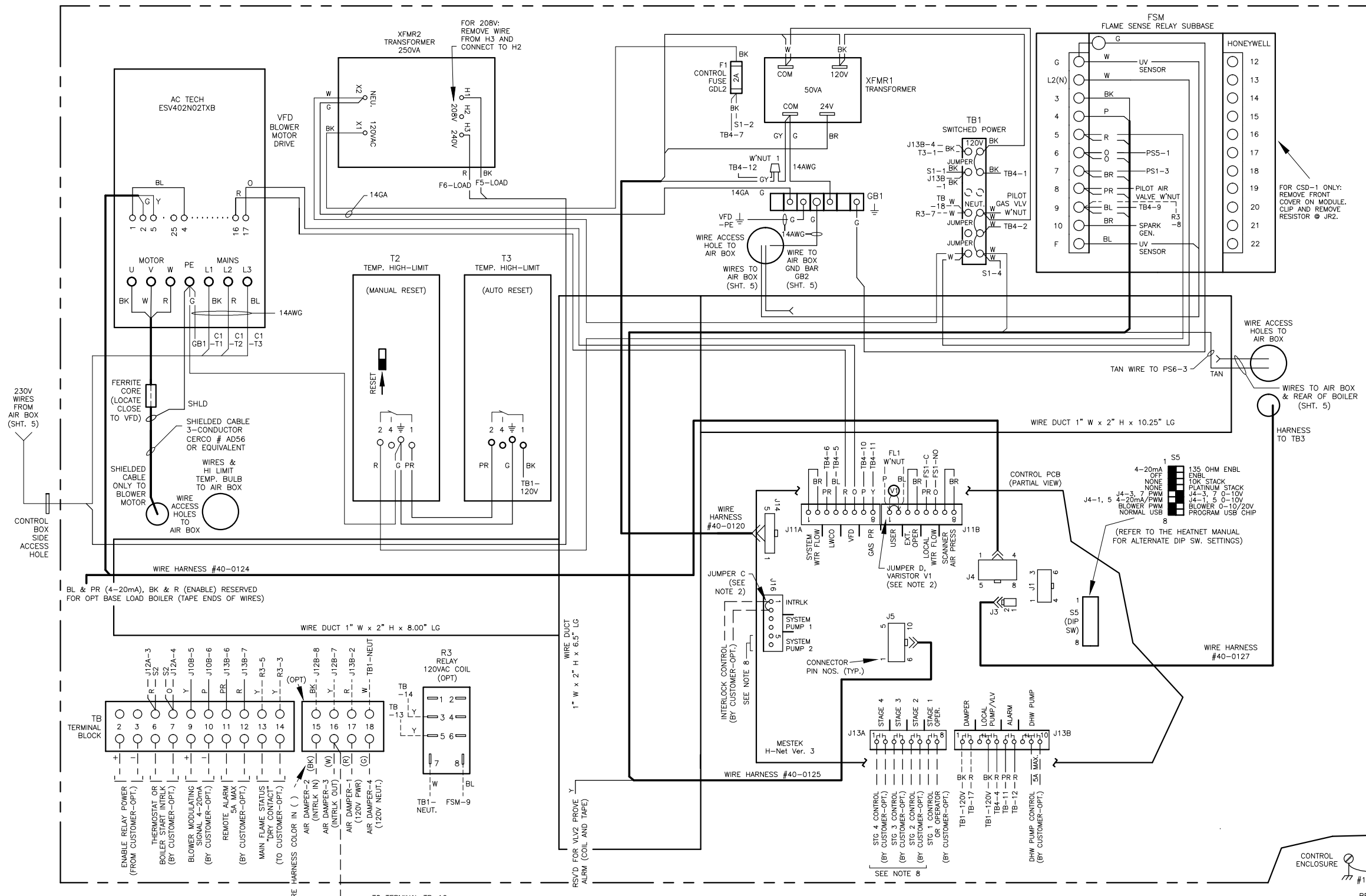


STAGE CONTROL  
(DRY CONTACT OR JUMPER INPUTS)

HEATNET COMMUNICATIONS  
(OPTIONAL)



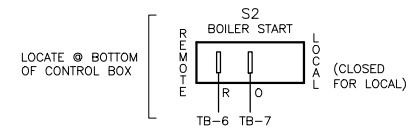
CONTROL PANEL ASSY



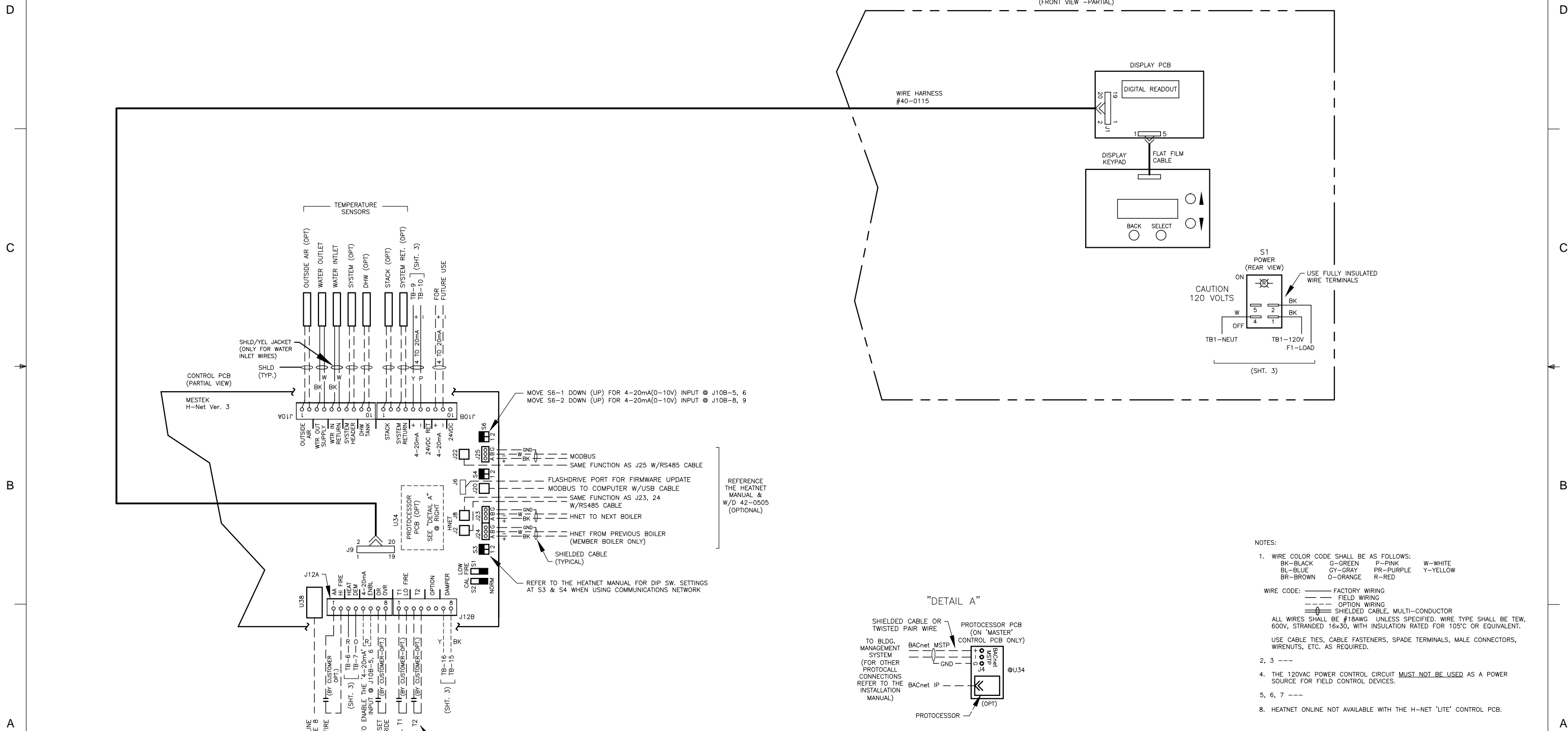
- NOTES:
1. WIRE COLOR CODE SHALL BE AS FOLLOWS:  
 BK-BLACK G-GREEN P-PINK W-WHITE  
 BL-BLUE GY-GRAY PR-PURPLE Y-YELLOW  
 BR-BROWN O-ORANGE R-RED
  2. REMOVE JUMPER C WHEN USING A CUSTOMER SUPPLIED INTERLOCK. JUMPER D WHEN USING A CONDENSATION LEVEL SWITCH AND VARISTOR.
  3. ---
  4. THE 120VAC POWER CONTROL CIRCUIT MUST NOT BE USED AS A POWER SOURCE FOR FIELD CONTROL DEVICES.
  5. FOR MULTIPLE BOILERS OPERATING WITH A SYSTEM AIR DAMPER WHEN IN A MASTER/MEMBER CONFIGURATION: ADD A JUMPER FROM TERMINAL TB-16 ON THE MASTER BOILER TO TERMINAL TB-16 ON ALL MEMBER BOILERS.
  - 6, 7 ---
  8. STAGE 2, 3, 4 AND SYSTEM PUMP 2 OUTPUTS ARE NOT AVAILABLE WITH THE H-NET "LITE" CONTROL PCB
- WIRE CODE:  
 — FACTORY WIRING  
 - - - FIELD WIRING  
 - - - OPTION WIRING  
 ⊕ SHIELDED CABLE, MULTI-CONDUCTOR
- ALL WIRES SHALL BE #18AWG UNLESS SPECIFIED. WIRE TYPE SHALL BE TEW, 600V, STRANDED 16x30, WITH INSULATION RATED FOR 105°C OR EQUIVALENT.
- USE CABLE TIES, CABLE FASTENERS, SPADE TERMINALS, MALE CONNECTORS, WIRENUTS, ETC. AS REQUIRED.

CONTROL ENCLOSURE FRONT PANEL  
 #14AWG GREEN OR FLAT BRAIDED WIRE

208/220-240V 3Ø 60HZ



DIVISION	PRODUCT	DRAWN BY	DATE	DRAWING DESCRIPTION		
RBI	CB & CW 3500 TO 4000	RT	08/28/12	CONNECTION DIAGRAM		
THE PRINT AND ALL INFORMATION THEREON IS PROPERTY OF THE RBI DIVISION OF MESTEK, INC. NEITHER THE PRINT NOR THE INFORMATION THEREON MAY BE REPRODUCED OR USED IN ANY MANNER WHATSOEVER OR DIVULGED TO ANY OTHER PERSON UNLESS SPECIFICALLY AUTHORIZED BY MESTEK, INC.			CHECKED BY	DATE	DRAWING NUMBER	
			RT	08/28/12	42-0608	
APPROVED BY	DATE	SHEET	SHEET SIZE	SCALE	REVISION	
JPC	08/28/12	3 of 6	B	N/A	D	



- NOTES:
- WIRE COLOR CODE SHALL BE AS FOLLOWS:  
 BK-BLACK G-GREEN P-PINK W-WHITE  
 BL-BLUE GR-GRAY PR-PURPLE Y-YELLOW  
 BR-BROWN O-ORANGE R-RED
  - WIRE CODE: --- FACTORY WIRING  
 --- FIELD WIRING  
 --- OPTION WIRING  
 --- SHIELDED CABLE, MULTI-CONDUCTOR
  - ALL WIRES SHALL BE #18AWG UNLESS SPECIFIED. WIRE TYPE SHALL BE TEW, 600V, STRANDED 16x30, WITH INSULATION RATED FOR 105°C OR EQUIVALENT.
  - USE CABLE TIES, CABLE FASTENERS, SPADE TERMINALS, MALE CONNECTORS, WIRENUTS, ETC. AS REQUIRED.
  - THE 120VAC POWER CONTROL CIRCUIT **MUST NOT BE USED** AS A POWER SOURCE FOR FIELD CONTROL DEVICES.
  - HEATNET ONLINE NOT AVAILABLE WITH THE H-NET 'LITE' CONTROL PCB.

208/220-240V 3Ø 60HZ

DIVISION	RBI	PRODUCT	CB & CW 3500 TO 4000	DRAWN BY	RT	DATE	08/28/12	DRAWING DESCRIPTION						
								CONNECTION DIAGRAM						
THE PRINT AND ALL INFORMATION THEREON IS PROPERTY OF THE RBI DIVISION OF MESTEK, INC. NEITHER THE PRINT NOR THE INFORMATION THEREON MAY BE REPRODUCED OR USED IN ANY MANNER WHATSOEVER OR DIVULGED TO ANY OTHER PERSON UNLESS SPECIFICALLY AUTHORIZED BY MESTEK, INC.								CHECKED BY	RT	DATE	08/28/12	DRAWING NUMBER		
								42-0608						
APPROVED BY	JPC	DATE	08/28/12	SHEET	4 of 6	SHEET SIZE	B	SCALE	N/A	REVISION	D			



NOTES:

- ALL WIRES SHALL BE #18AWG UNLESS SPECIFIED. WIRE TYPE SHALL BE TEW, 600V, STRANDED 16x30, WITH INSULATION RATED FOR 105°C OR EQUIVALENT.  
WIRE COLOR CODE SHALL BE AS FOLLOWS:  
BK-BLACK C-GREEN P-PINK W-WHITE  
BL-BLUE GY-GRAY PR-PURPLE Y-YELLOW  
BR-BROWN O-ORANGE R-RED
- WIRE CODE: --- FACTORY WIRING --- FIELD WIRING  
--- OPTION WIRING  
--- SHIELDED CABLE, MULTI-CONDUCTOR  
USE CABLE TIES, CABLE FASTENERS, SPARE TERMINALS, MALE CONNECTORS, WIRENUTS, ETC. AS REQUIRED.

7. POWER SERVICE AS FOLLOWS:

FLA (NOT INCLUDING 'LOCAL' PUMP MOTOR): 9.5A @ 230V, 3ø  
TOTAL FLA (INCLUDING BOILER & 'LOCAL' PUMP MOTOR):

PUMP HP	230V, 3ø
3	17.8A
5	24.7A

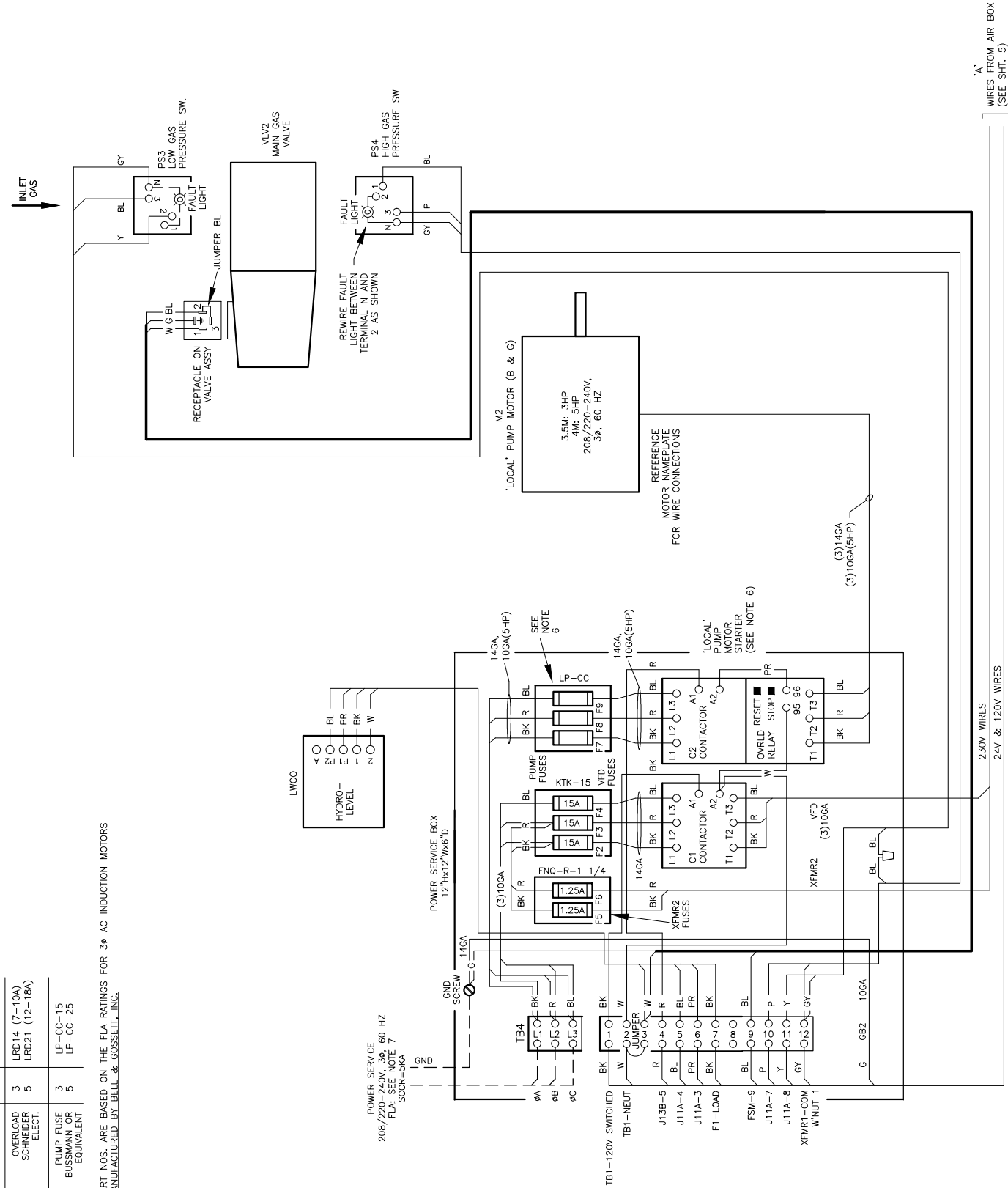
TOTAL FLA DETERMINED BY USING THE FLA RATINGS FOR 3ø AC INDUCTION MOTORS MANUFACTURED BY BELL & GOSSETT, INC.

- 
- 
- POWER SERVICE CIRCUIT PROTECTION DEVICE SUPPLIED BY CUSTOMER.
- 

6. 'LOCAL' PUMP MOTOR CONTACTOR, OVERLOAD RELAY AND FUSE PART NOS. PER THE FOLLOWING:

PUMP HP	208-240V, 3ø
CONTACTOR SCHNEIDER ELECT.	LC1D1267 LC1D1867
OVERLOAD SCHNEIDER ELECT.	LRD14 (7-10A) LRD21 (12-18A)
PUMP FUSE EQUIVALENT	LP-CC-15 LP-CC-25

PART NOS. ARE BASED ON THE FLA RATINGS FOR 3ø AC INDUCTION MOTORS MANUFACTURED BY BELL & GOSSETT, INC.



'A' WIRES FROM AIR BOX (SEE SHT. 5)

208/220-240V 3ø 60HZ

DIVISION	PRODUCT	DRAWN BY	DATE	DRAWING DESCRIPTION		
RBI	CB & CW 3500 TO 4000	RT	08/28/12	CONNECTION DIAGRAM		
THE PRINT AND ALL INFORMATION THEREON IS PROPERTY OF THE RBI DIVISION OF MESTEK, INC. NEITHER THE PRINT NOR THE INFORMATION THEREON MAY BE REPRODUCED OR USED IN ANY MANNER WHATSOEVER OR DIVULGED TO ANY OTHER PERSON UNLESS SPECIFICALLY AUTHORIZED BY MESTEK, INC.			DATE	DRAWING NUMBER		
RT	08/28/12	42-0608				
APPROVED BY	DATE	SHEET	SHEET SIZE	SCALE	REVISION	
JPC	08/28/12	6 of 6	B	N/A	D	