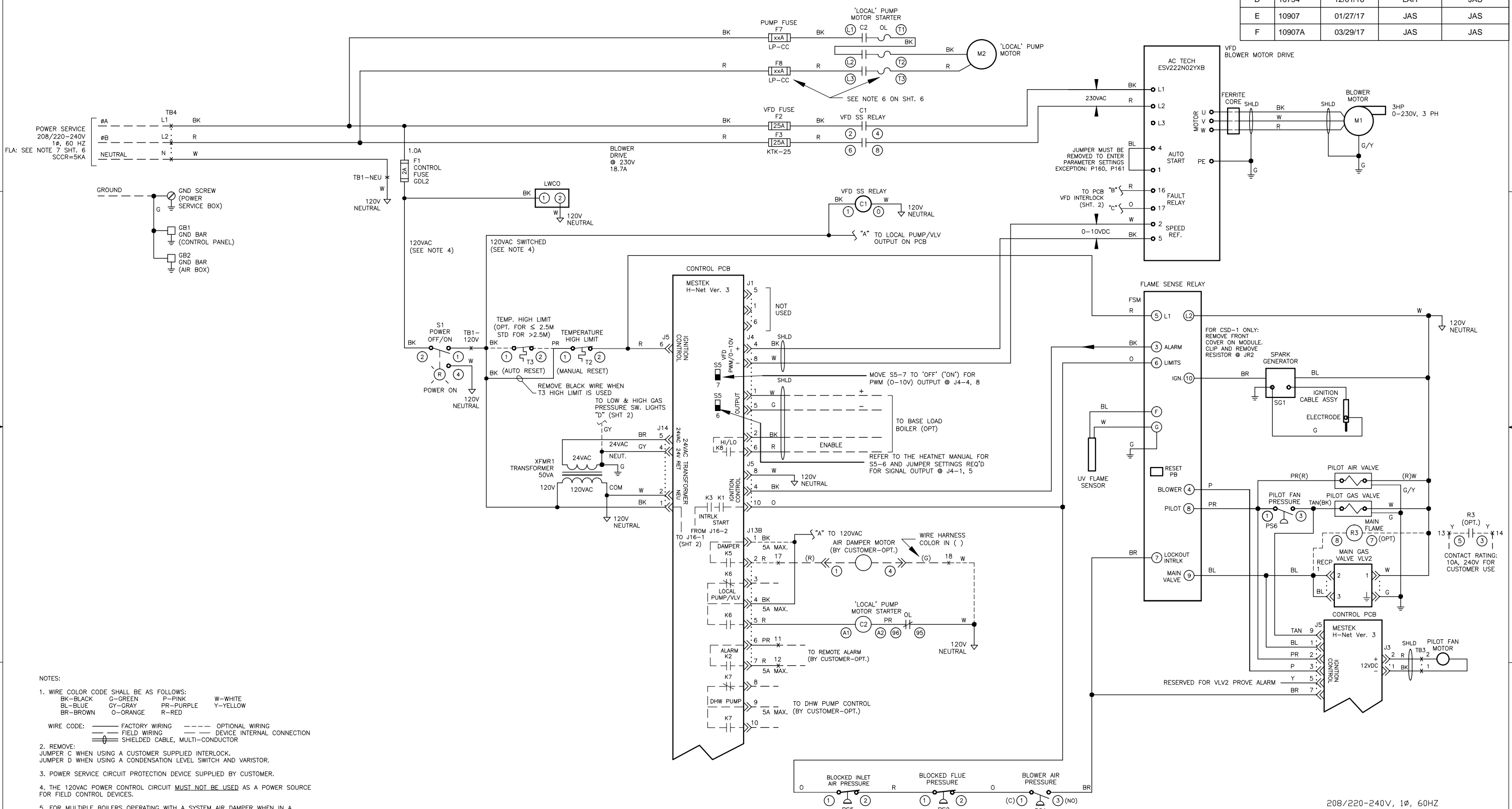


REVISIONS				
REV.	EN NO.	DATE	DRAWN BY	APPROVED
D	10754	12/01/16	LAH	JAS
E	10907	01/27/17	JAS	JAS
F	10907A	03/29/17	JAS	JAS



- NOTES:
- WIRE COLOR CODE SHALL BE AS FOLLOWS:  
 BK-BLACK G-GREEN P-PINK W-WHITE  
 BL-BLUE GY-GRAY PR-PURPLE Y-YELLOW  
 BR-BROWN O-ORANGE R-RED
  - WIRE CODE: ——— FACTORY WIRING - - - - - OPTIONAL WIRING  
 - - - - - FIELD WIRING - - - - - DEVICE INTERNAL CONNECTION  
 ⊕ SHIELDED CABLE, MULTI-CONDUCTOR
  - REMOVE: JUMPER C WHEN USING A CUSTOMER SUPPLIED INTERLOCK. JUMPER D WHEN USING A CONDENSATION LEVEL SWITCH AND VARISTOR.
  - POWER SERVICE CIRCUIT PROTECTION DEVICE SUPPLIED BY CUSTOMER.
  - THE 120VAC POWER CONTROL CIRCUIT MUST NOT BE USED AS A POWER SOURCE FOR FIELD CONTROL DEVICES.
  - FOR MULTIPLE BOILERS OPERATING WITH A SYSTEM AIR DAMPER WHEN IN A MASTER/MEMBER CONFIGURATION: ADD A JUMPER FROM TERMINAL TB-16 ON THE MASTER BOILER TO TERMINAL TB-16 ON ALL MEMBER BOILERS.
  - 7 ---
  - HEATNET ONLINE, STAGE 2, 3, 4 AND SYSTEM PUMP 2 OUTPUTS ARE NOT AVAILABLE WITH THE H-NET "LITE" CONTROL PCB.

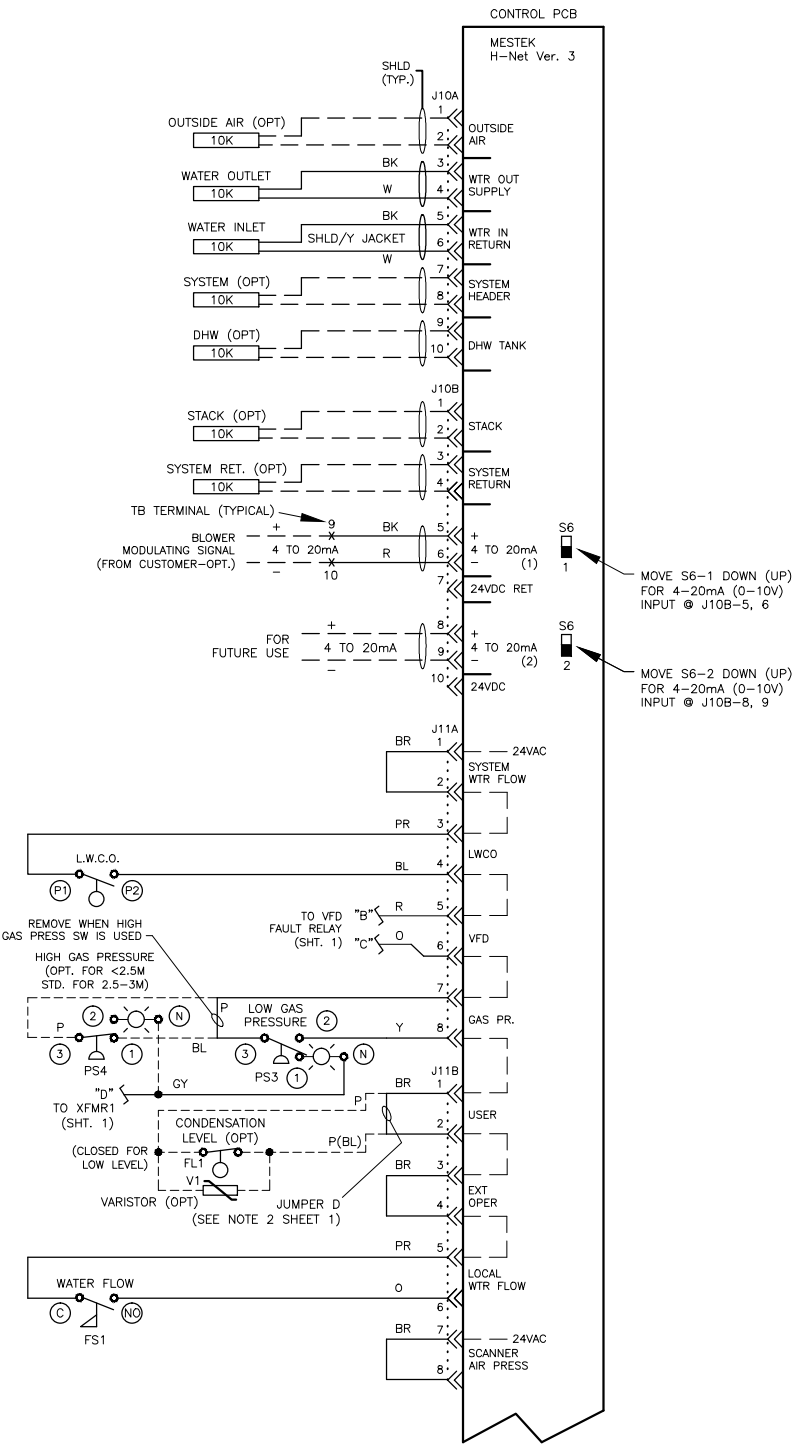
DIVISION	PRODUCT	DRAWN BY	DATE	DRAWING DESCRIPTION	
RBI	CB & CW 2500 TO 3000	RT	08/28/12	LADDER DIAGRAM	
THE PRINT AND ALL INFORMATION THEREON IS PROPERTY OF THE RBI DIVISION OF MESTEK, INC. NEITHER THE PRINT NOR THE INFORMATION THEREON MAY BE REPRODUCED OR USED IN ANY MANNER WHATSOEVER OR DIVULGED TO ANY OTHER PERSON UNLESS SPECIFICALLY AUTHORIZED BY MESTEK, INC.			CHECKED BY	DATE	DRAWING NUMBER
			RT	08/28/12	42-0606
APPROVED BY	DATE	SHEET	SHEET SIZE	SCALE	REVISION
JPC	08/28/12	1 of 6	B	N/A	F

D  
C  
B  
A

D  
C  
B  
A

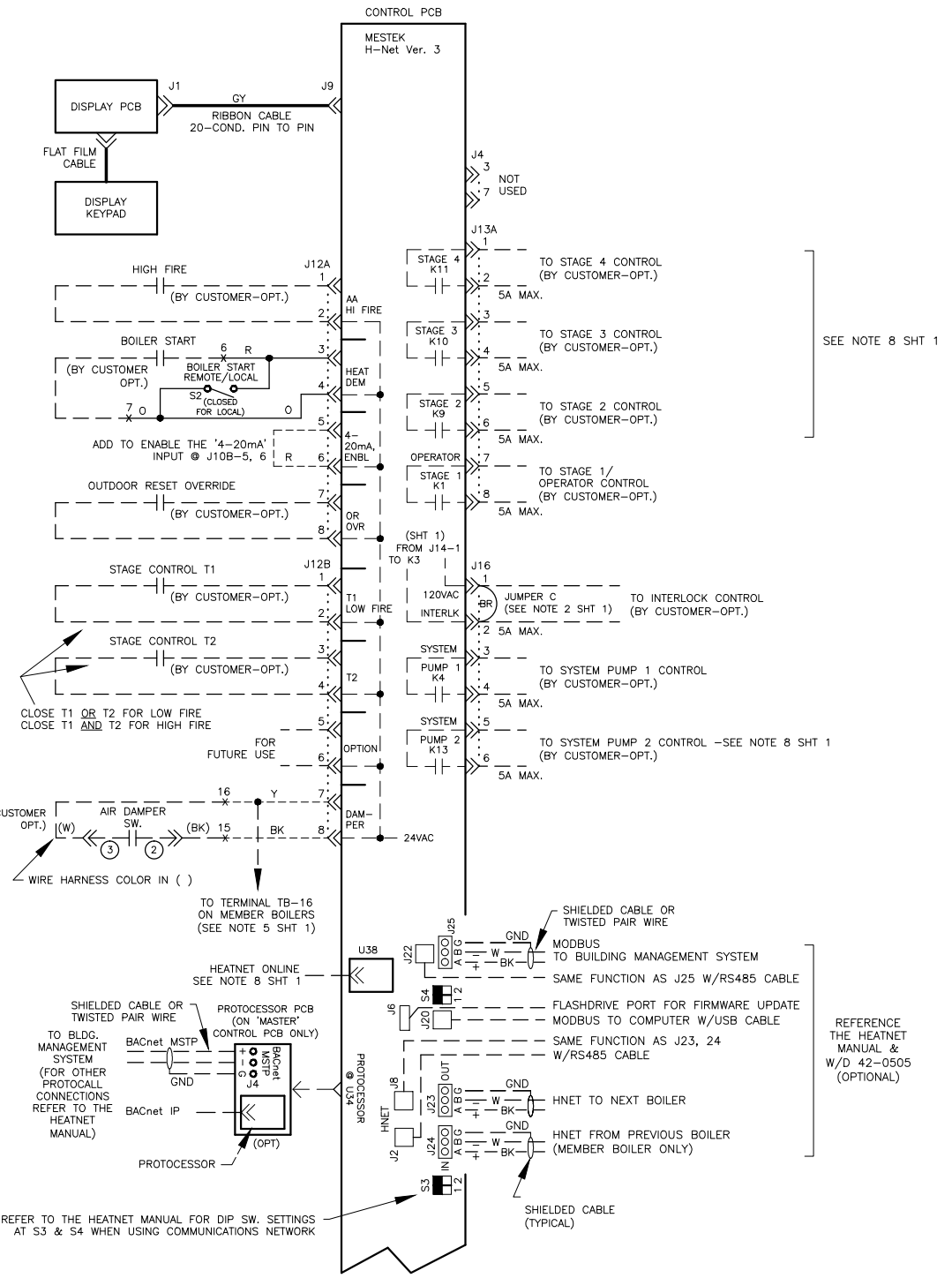
TEMPERATURE SENSORS  
(10K THERMISTOR INPUTS)

INTERLOCKS  
(DRY CONTACT OR JUMPER INPUTS)



STAGE CONTROL  
(DRY CONTACT OR JUMPER INPUTS)

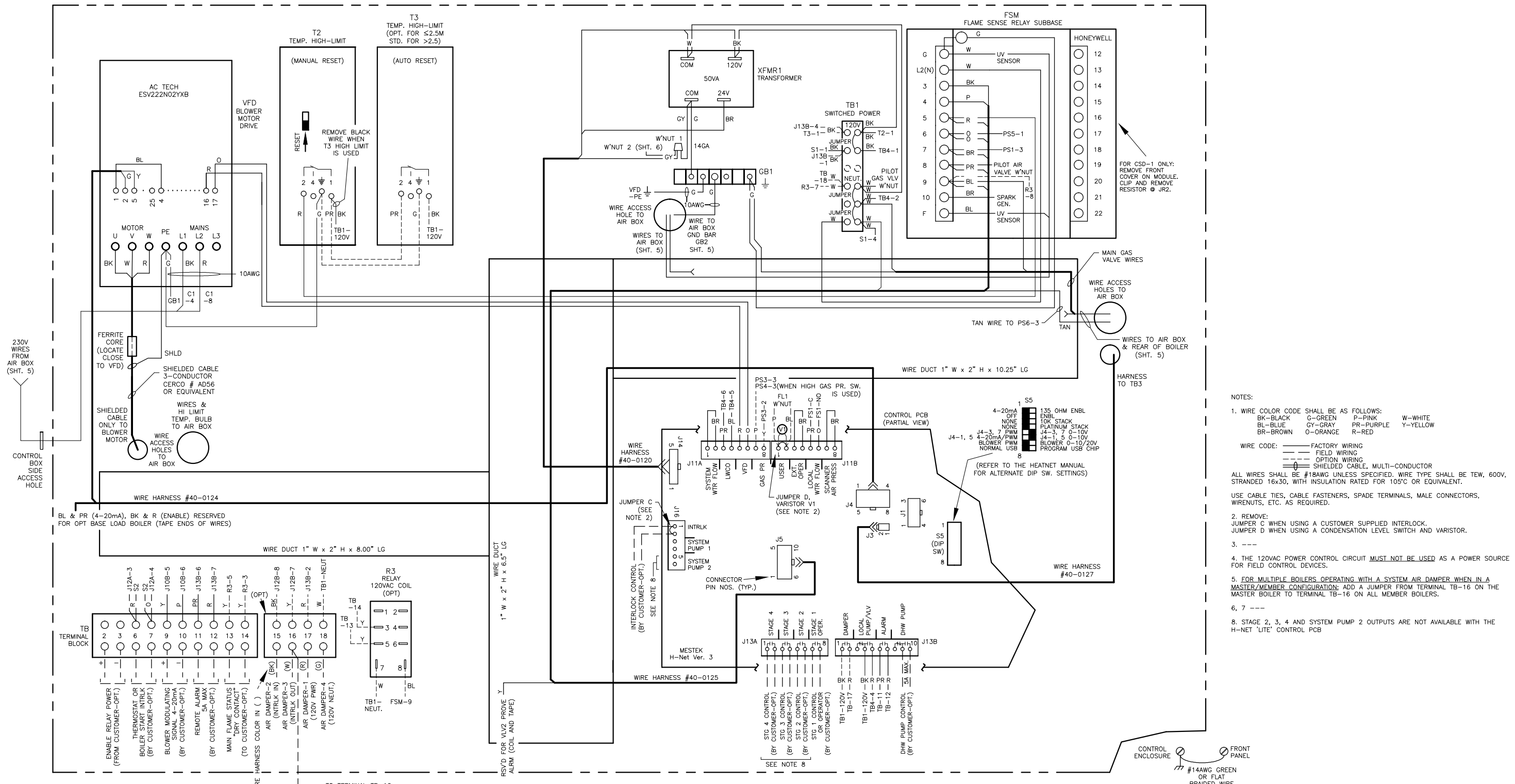
HEATNET COMMUNICATIONS  
(OPTIONAL)



208/220-240V, 1Ø, 60HZ

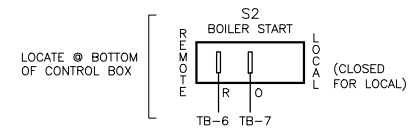
DIVISION	PRODUCT	DRAWN BY	DATE	DRAWING DESCRIPTION				
RBI	CB & CW 2500 TO 3000	RT	08/28/12	LADDER DIAGRAM				
THE PRINT AND ALL INFORMATION THEREON IS PROPERTY OF THE RBI DIVISION OF MESTEK, INC. NEITHER THE PRINT NOR THE INFORMATION THEREON MAY BE REPRODUCED OR USED IN ANY MANNER WHATSOEVER OR DIVULGED TO ANY OTHER PERSON UNLESS SPECIFICALLY AUTHORIZED BY MESTEK, INC.			CHECKED BY	DATE	DRAWING NUMBER			
			RT	08/28/12	42-0606			
			APPROVED BY	DATE	SHEET	SHEET SIZE	SCALE	REVISION
			JPC	08/28/12	2 of 6	B	N/A	F

CONTROL PANEL ASSY



- NOTES:
1. WIRE COLOR CODE SHALL BE AS FOLLOWS:  
 BK-BLACK G-GREEN P-PINK W-WHITE  
 BL-BLUE GY-GRAY PR-PURPLE Y-YELLOW  
 BR-BROWN O-ORANGE R-RED
  2. REMOVE JUMPER C WHEN USING A CUSTOMER SUPPLIED INTERLOCK. JUMPER D WHEN USING A CONDENSATION LEVEL SWITCH AND VARISTOR.
  3. ---
  4. THE 120VAC POWER CONTROL CIRCUIT MUST NOT BE USED AS A POWER SOURCE FOR FIELD CONTROL DEVICES.
  5. FOR MULTIPLE BOILERS OPERATING WITH A SYSTEM AIR DAMPER WHEN IN A MASTER/MEMBER CONFIGURATION: ADD A JUMPER FROM TERMINAL TB-16 ON THE MASTER BOILER TO TERMINAL TB-16 ON ALL MEMBER BOILERS.
  - 6, 7 ---
  8. STAGE 2, 3, 4 AND SYSTEM PUMP 2 OUTPUTS ARE NOT AVAILABLE WITH THE H-NET "LITE" CONTROL PCB
- WIRE CODE:  
 ——— FACTORY WIRING  
 - - - FIELD WIRING  
 - - - OPTION WIRING  
 ⊕ SHIELDED CABLE, MULTI-CONDUCTOR
- ALL WIRES SHALL BE #18AWG UNLESS SPECIFIED. WIRE TYPE SHALL BE TEW, 600V, STRANDED 16x30, WITH INSULATION RATED FOR 105°C OR EQUIVALENT.
- USE CABLE TIES, CABLE FASTENERS, SPADE TERMINALS, MALE CONNECTORS, WIRENUTS, ETC. AS REQUIRED.

208/220-240V, 1Ø, 60HZ



DIVISION	PRODUCT	DRAWN BY	DATE	DRAWING DESCRIPTION		
RBI	CB & CW 2500 TO 3000	RT	08/28/12	WIRING DIAGRAM		
THE PRINT AND ALL INFORMATION THEREON IS PROPERTY OF THE RBI DIVISION OF MESTEK, INC. NEITHER THE PRINT NOR THE INFORMATION THEREON MAY BE REPRODUCED OR USED IN ANY MANNER WHATSOEVER OR DIVULGED TO ANY OTHER PERSON UNLESS SPECIFICALLY AUTHORIZED BY MESTEK, INC.				CHECKED BY	DATE	DRAWING NUMBER
				RT	08/28/12	42-0606
APPROVED BY	DATE	SHEET	SHEET SIZE	SCALE	REVISION	
JPC	08/28/12	3 of 6	B	N/A	F	

D

C

B

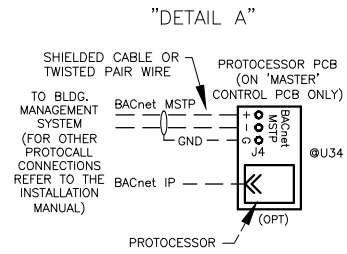
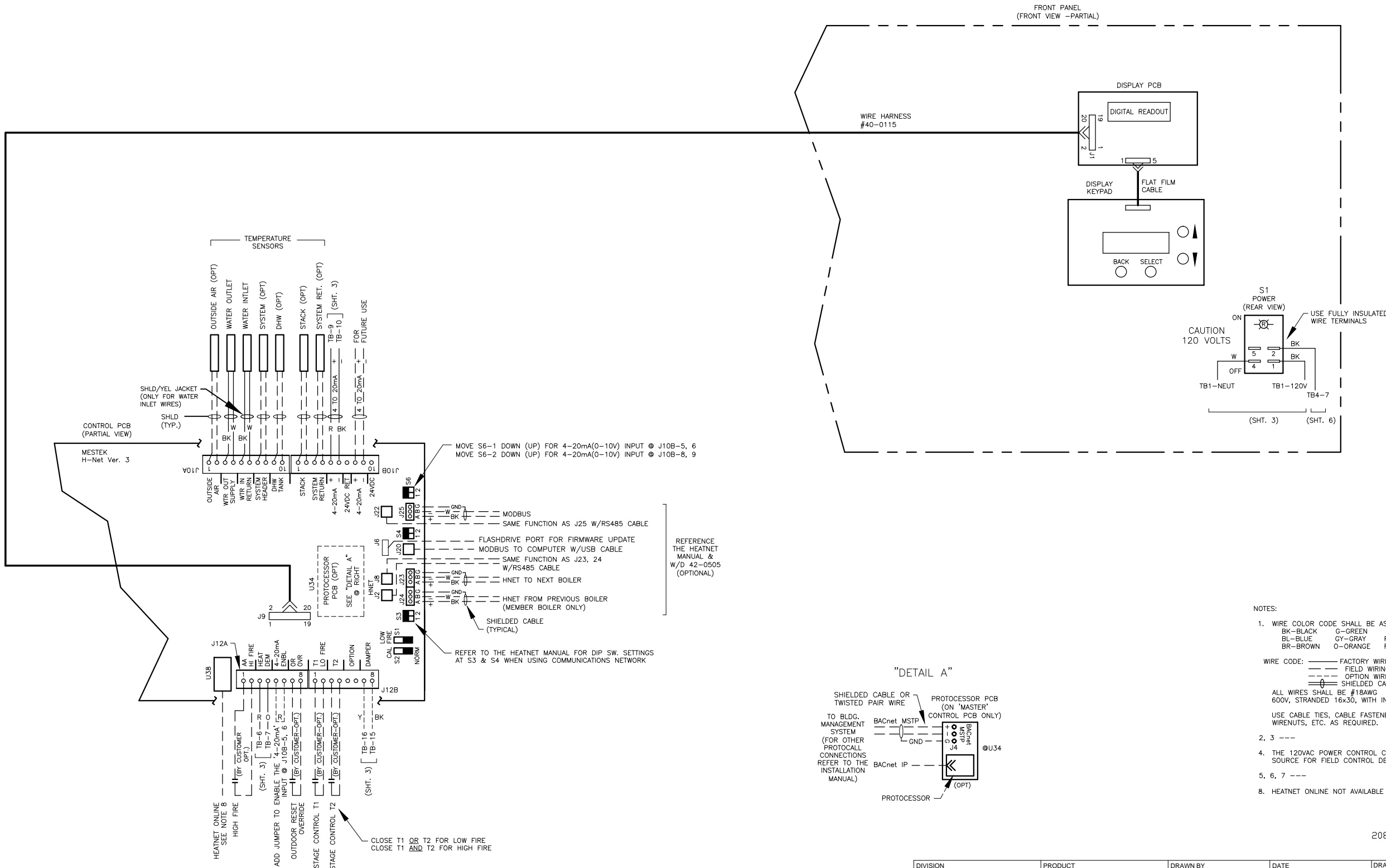
A

D

C

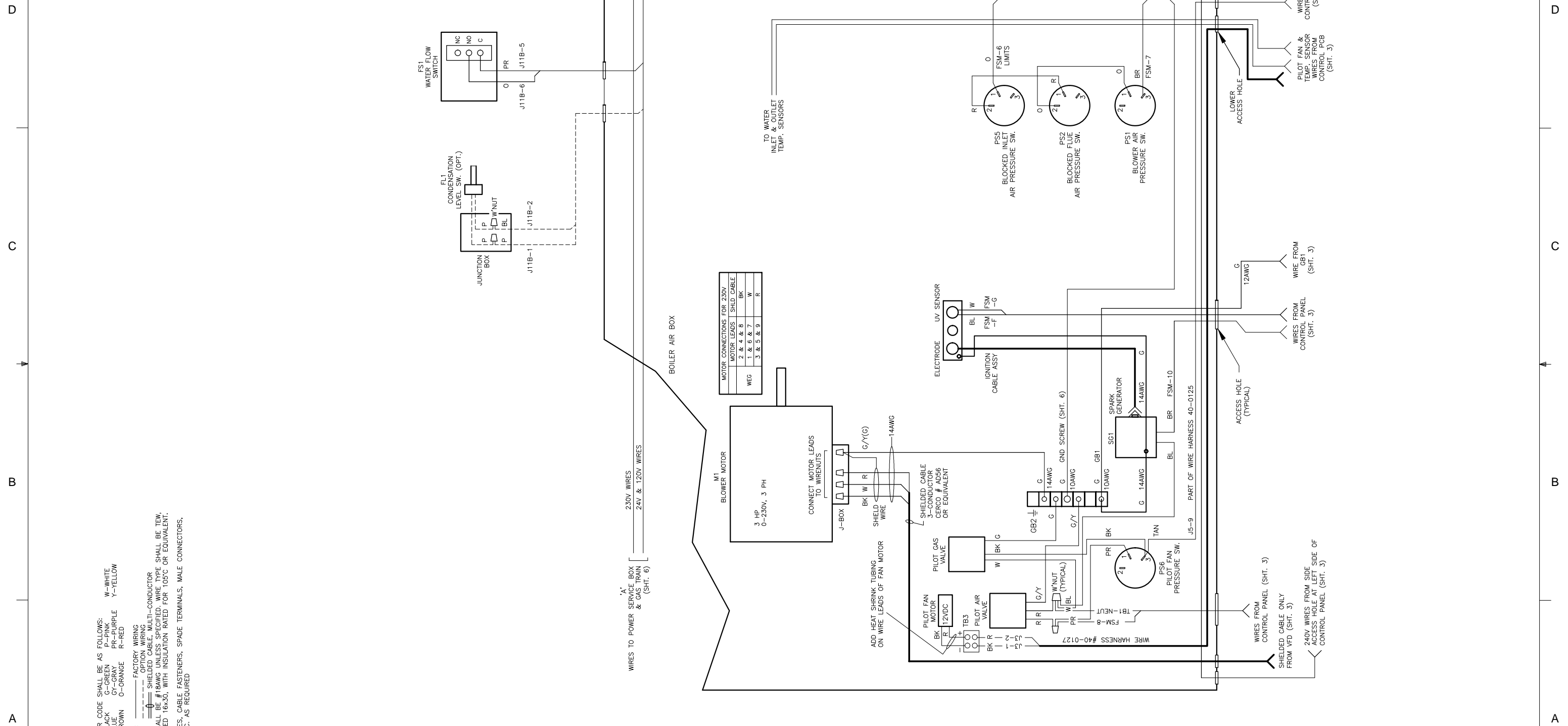
B

A



208/220-240V, 1Ø, 60HZ

DIVISION	PRODUCT	DRAWN BY	DATE	DRAWING DESCRIPTION			
RBI	CB & CW 2500 TO 3000	RT	08/28/12	CONNECTION DIAGRAM			
THE PRINT AND ALL INFORMATION THEREON IS PROPERTY OF THE RBI DIVISION OF MESTEK, INC. NEITHER THE PRINT NOR THE INFORMATION THEREON MAY BE REPRODUCED OR USED IN ANY MANNER WHATSOEVER OR DIVULGED TO ANY OTHER PERSON UNLESS SPECIFICALLY AUTHORIZED BY MESTEK, INC.				CHECKED BY	DATE	DRAWING NUMBER	
				RT	08/28/12	42-0606	
APPROVED BY	DATE	SHEET	SHEET SIZE	SCALE	REVISION		
JPC	08/28/12	4 of 6	B	N/A	F		



NOTES:

1. ALL WIRES SHALL BE #18AWG UNLESS SPECIFIED. WIRE TYPE SHALL BE TEW, 600V, STRANDED 16x30, WITH INSULATION RATED FOR 105°C OR EQUIVALENT.
2. WIRE COLOR CODE SHALL BE AS FOLLOWS:  
 BK-BLUE BK-BROWN BK-BROWN  
 GY-GRAY GY-ORANGE GY-ORANGE  
 W-WHITE W-WHITE  
 P-PINK P-PINK  
 R-RED R-RED  
 PR-PURPLE PR-PURPLE  
 Y-YELLOW Y-YELLOW
3. WIRE CODE: --- FACTORY WIRING --- FIELD WIRING  
 --- OPTION WIRING  
 A --- SHIELDED CABLE, MULTI-CONDUCTOR  
 USE CABLE TIES, CABLE FASTENERS, SPADE TERMINALS, WALE CONNECTORS, WRENCHES, ETC. AS REQUIRED.
4. ---  
 5. ---
6. 'LOCAL' PUMP MOTOR CONTACTOR, OVERLOAD RELAY AND FUSE PART NOS. PER THE FOLLOWING:

3. POWER SERVICE CIRCUIT PROTECTION DEVICE SUPPLIED BY CUSTOMER.

6. 'LOCAL' PUMP MOTOR CONTACTOR, OVERLOAD RELAY AND FUSE PART NOS. PER THE FOLLOWING:

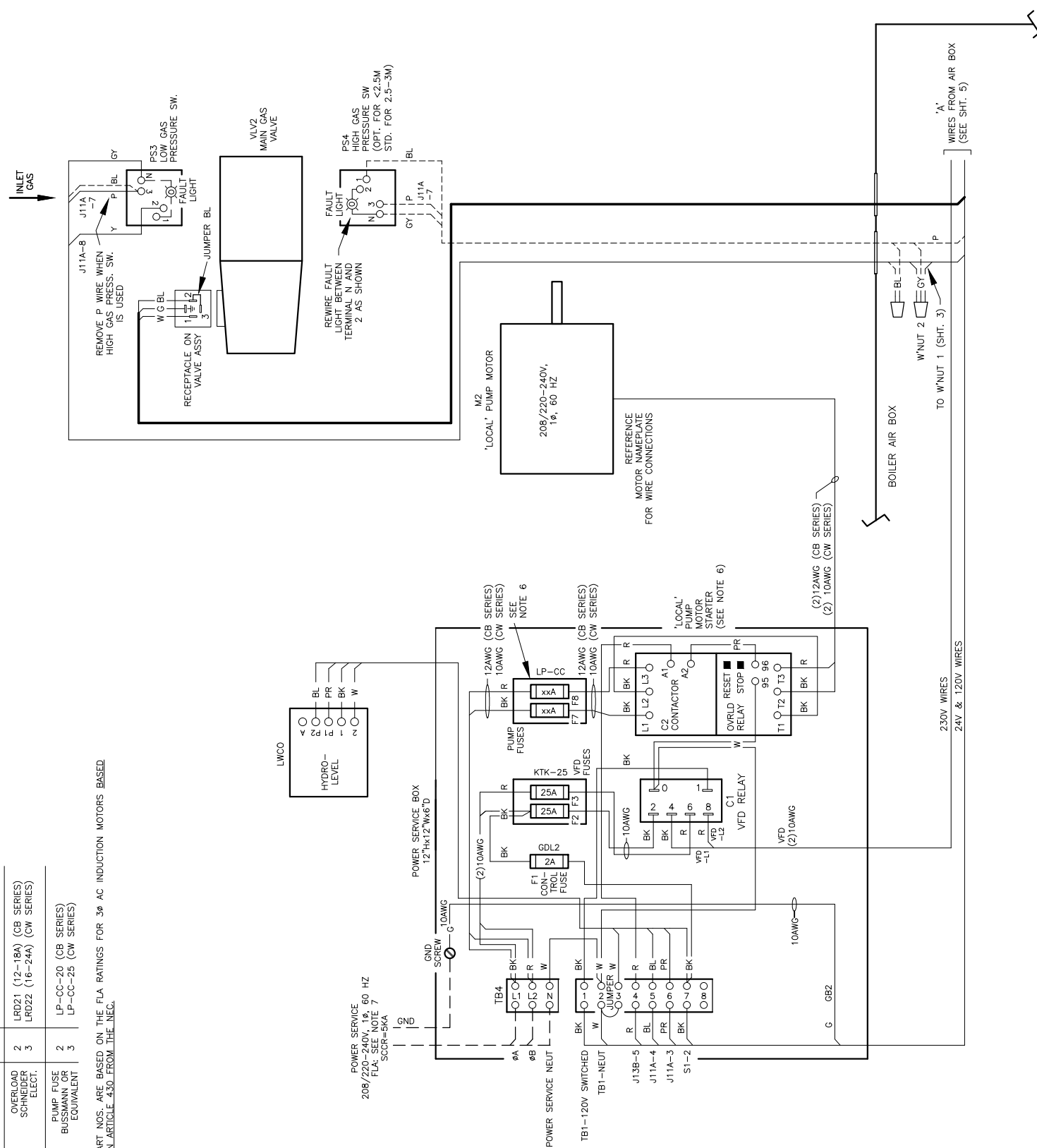
PUMP HP	208-240V, 1Ø
CONTACTOR SCHNEIDER ELECT.	2 LC1D18G7 (CB SERIES) 3 LC1D32G7 (CW SERIES)
OVERLOAD SCHNEIDER ELECT.	2 LR021 (12-18A) (CB SERIES) 3 LR022 (16-24A) (CW SERIES)
PUMP FUSE BUSBAR OR EQUIVALENT	2 LP-CC-20 (CB SERIES) 3 LP-CC-25 (CW SERIES)

PART NOS. ARE BASED ON THE F.L.A. RATINGS FOR 3Ø AC INDUCTION MOTORS BASED ON ARTICLE 430 FROM THE NEC.

7. POWER SERVICE AS FOLLOWS:  
 F.L.A. (NOT INCLUDING 'LOCAL' PUMP MOTOR): 19.7A @ 230V, 1Ø  
 TOTAL F.L.A. (INCLUDING BOILER & 'LOCAL' PUMP MOTOR):  

PUMP HP	230V, 1Ø
2	31.7A
3	36.7A

 TOTAL F.L.A. RATINGS FOR 1Ø AC INDUCTION MOTORS BASED ON NEC ARTICLE 430.



208/220-240V, 1Ø, 60HZ

DIVISION	RBI	PRODUCT	CB & CW 2500 TO 3000	DRAWN BY	RT	DATE	08/28/12	DRAWING DESCRIPTION				
THE PRINT AND ALL INFORMATION THEREON IS PROPERTY OF THE RBI DIVISION OF MESTEK, INC. NEITHER THE PRINT NOR THE INFORMATION THEREON MAY BE REPRODUCED OR USED IN ANY MANNER WHATSOEVER OR DIVULGED TO ANY OTHER PERSON UNLESS SPECIFICALLY AUTHORIZED BY MESTEK, INC.								CONNECTION DIAGRAM				
CHECKED BY	RT	DATE	08/28/12	APPROVED BY	JPC	DATE	08/28/12	DRAWING NUMBER				
								42-0606				
SHEET		6 of 6		SHEET SIZE		B		SCALE		N/A	REVISION	F