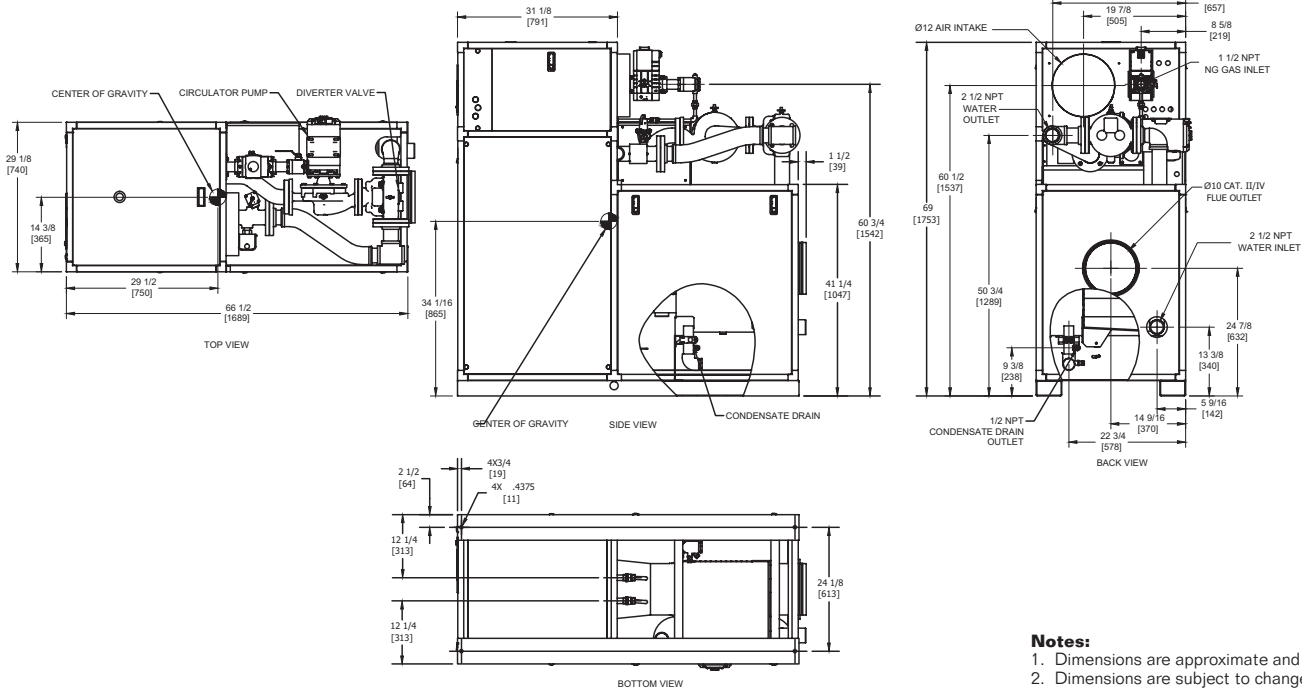


INDOOR UNIT

RSUB-102 REV H

CODE OPTIONS

CSD-1 Manual Reset LWCO



Notes:

1. Dimensions are approximate and should not be used to "rough-in" equipment.
2. Dimensions are subject to change without notice.

BOILER CERTIFIED RATINGS & CAPACITIES

Fuel Type	Natural/Propane Gas	Total FLA	21.5* @ 230V
Input BTU/hr.	1,999,999 / 586 kW	Min. Gas Pressure Required	2" W.C.**
Output BTU/hr.	1,905,999 / 558 kW	Max. Gas Pressure Allowed	14" W.C.
Electrical Requirements	(L1, L2, NEU, GND) 208-240 VAC / 1 ph / 60 hz	Operating Weight	1,426 lbs. / 647 kg.

BOILER TEMPERATURE RISE / PRESSURE DROP

30°F / 16.7°C			
Flow Rate***	Total Loss****		
GPM	L/s	Ft	kPa
116.0	7.3	15.7	46.9

*** Primary heat exchanger.

**** Includes primary, secondary, mixing valve and piping.

BOILER / WATER HEATER TRIM & CONTROLS

Main Gas Valve	Dungs MBC-SE	Air Switch	Cleveland NS2
Firing Valve	1 1/2"	Blower Motor	Fasco 1 hp
Ignition Control	Honeywell RM7895C	Relief Valve - CW	3/4" x 3/4" set @ 125 psi
Operating Control	HeatNet®	Relief Valve - CB	1" x 1 1/4" set @ 50 psi
High Limit	Jumo	Flow Switch	TACO
Main Ball Valve	1 1/2"	Pilot Regulator	White-Rodgers 25m
Economizer	RBI-2000	Circulator	TACO 1935 (1 1/2 hp) - FLA 15
Mixing Valve	2 1/2"	By-Pass Piping	2 1/2"

WATER HEATER HOURLY RECOVERY CAPACITY (GPH & LPH)

40°F	22°C	60°F	33°C	80°F	44°C	100°F	56°C	120°F	67°C	140°F	78°C
5,654	21,373	3,770	14,249	2,827	10,687	2,262	8,549	1,885	7,124	1,616	6,107

A.S.M.E.

ASME Sect IV Htg Surface	215.98 Sq. Ft. / 20.06 Sq. M.	Design Data	Max. 125 psig & 250°F
Water Volume	5.7 gal. / 21.58 Liters		
Water Volume Secondary HX	7.1 gal. / 26.76 Liters		

* Includes pump

** For incoming gas pressures lower than 2" W.C. natural or propane, consult factory.

REP FIRM _____
SUBMITTED BY _____
JOB NAME _____
ARCHITECT _____
ENGINEER _____
CONTRACTOR _____
DATE _____

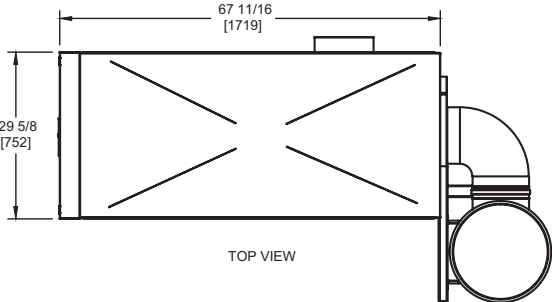
FUTERA FUSION 2000

Category II or IV Appliance
(see Installation and Operation Manual for venting information)

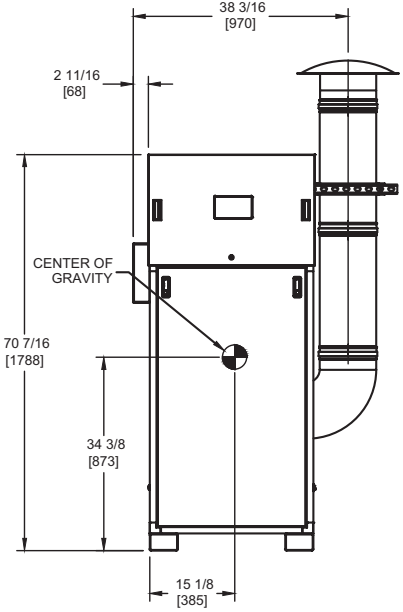


A Division of Mestek, Inc.
Westfield, MA 01085
(413) 568-9571

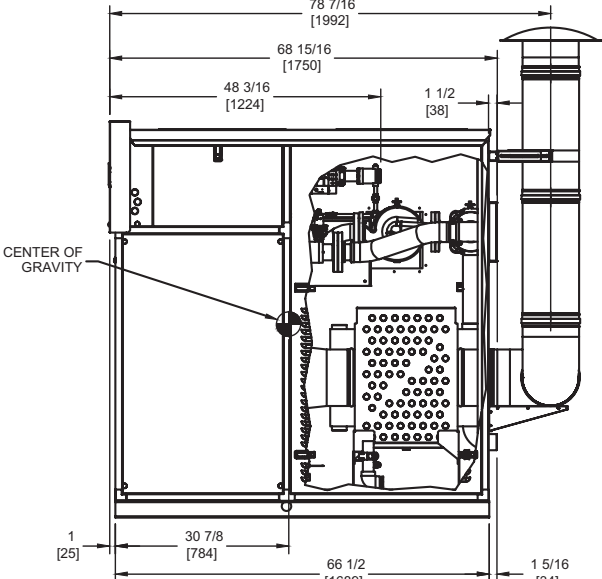
OUTDOOR UNIT



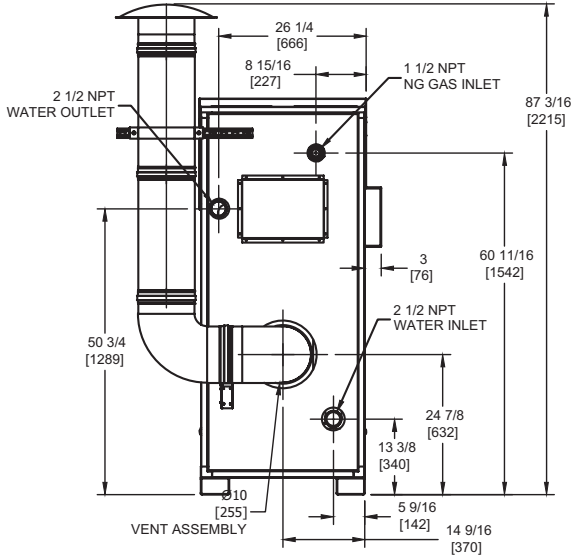
TOP VIEW



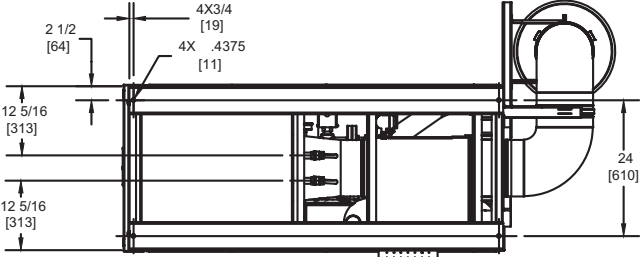
FRONT VIEW



SIDE VIEW



REAR VIEW



BOTTOM VIEW

FUTERA FUSION 2000

- Notes:**
1. Dimensions are approximate and should not be used to "rough-in" equipment.
 2. Dimensions are subject to change without notice.