

# RBI®

RELIABLE. BOLD. INNOVATIVE.



# ENCORE

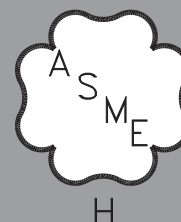
FIRETUBE

## Boiler Manual Installation and Operation Instructions

**Stainless Steel Condensing Boilers**

**Models RB0350, RB0400, RB0500,  
RB0600, RB0725, RB0850**

**Also read and follow:  
HeatNet Control Manual**



**WARNING** This manual is intended only for use by a qualified heating installer/technician. Read and follow this manual, all supplements and related instructional information provided with the boiler. Install, start and service the boiler only in the sequence and methods given in these instructions. Failure to do so can result in severe personal injury, death or substantial property damage.

**WARNING** **Do not use the boiler during construction.** Construction dust and particulate, particularly drywall dust, will cause contamination of the burner, resulting in possible severe personal injury, death or substantial property damage. The boiler can only be operated with a dust-free air supply. Follow the instruction manual procedures to duct air to the boiler air intake. If the boiler has been contaminated by operation with contaminated air, follow the instruction manual guidelines to clean, repair or replace the boiler if necessary.

**CAUTION** Affix these instructions near to the boiler. Instruct the building owner to retain the instructions for future use by a qualified service technician, and to follow all guidelines in the User's Information Manual.

**WARNING** If the information in this manual is not followed exactly, a fire or explosion may result causing property, personal injury or loss of life.

**Do not store or use gasoline or other flammable vapors and liquids in the vicinity of this or any other appliance.**

**WHAT TO DO IF YOU SMELL GAS:**

- Do not try to light any appliance.
- Do not touch any electrical switch. Do not use any phone in your building.
- Immediately call your gas supplier from a phone outside of the building. Follow the gas supplier's instructions.
- If you cannot reach your gas supplier, call the fire department.

**Installation and service must be performed by a qualified installer, service agency or the gas supplier.**

**WARNING** Assurez-vous de bien suivre les instructions données dans cette notice pour réduire au minimum le risque d'incendie ou d'explosion ou pour éviter tout dommage matériel, toute blessure ou la mort

**Ne pas entreposer ni utiliser d'essence ou ni d'autres vapeurs ou liquides inflammables à proximité de cet appareil ou de tout autre appareil.**

**QUE FAIRE SI VOUS SENTEZ UNE ODEUR DE GAZ:**

- Ne pas tenter d'allumer d'appareil.
- Ne touchez à aucun interrupteur; ne pas vous servir des téléphones se trouvant dans le bâtiment.
- Appelez immédiatement votre fournisseur de gaz depuis un voisin. Suivez les intructions du fournisseur.
- Si vous ne pouvez rejoindre le fournisseur, appelez le service des incendies.

**L'installation et l'entretien doivent être assurés par un installateur ou un service d'entretien qualifié ou par le fournisseur de gaz.**

**WARNING** Failure to properly vent this unit can cause excessive amounts of carbon monoxide resulting in severe personal injury or death!

**CAUTION** Do not use automotive anti-freeze in the boiler waterways. If the use of anti-freeze is necessary an anti-freeze specifically formulated for hydronic heating systems must be used or damage to the boiler may occur voiding the warranty!

**DESIGNED AND TESTED ACCORDING TO A.S.M.E. BOILER AND PRESSURE VESSEL CODE, SECTION IV FOR A MAXIMUM ALLOWABLE WORKING PRESSURE OF 160 PSI, 1103 kPa WATER.**

INSTALLER, THESE INSTRUCTIONS TO BE AFFIXED ADJACENT TO THE BOILER.

CONSUMER, RETAIN THESE INSTRUCTIONS FOR FUTURE REFERENCE PURPOSES.

**CONTENTS**

Before Your Start ..... page 2  
Ratings & Capacities ..... page 3  
Location ..... page 3  
Combustion Air & Ventilation ..... page 3  
Venting Guidelines..... page 5  
Common Vent Systems ..... page 21  
General Piping Requirements ..... page 26  
Heating System Piping ..... page 28  
Domestic Water Supply Piping ..... page 31  
Condensate Piping ..... page 33  
Gas Supply Piping ..... page 33  
Electrical Wiring..... page 34  
Boiler Operation..... page 36  
Operating Instructions ..... page 36  
Sequence of Operation..... page 40  
Ignition Troubleshooting ..... page 43  
Checking & Adjustment ..... page 44  
Diagnostics ..... page 44  
Maintenance ..... page 45  
Pressure Switches..... page 46  
Wiring ..... page 47  
Repair Parts..... page 48  
Start-Up ..... page 56  
Mass Code ..... page 58  
Warranty ..... page 59

**BEFORE YOU START**

This manual covers the application, installation, operation and maintenance of a Encore series boiler. To obtain the safe, dependable, efficient operation and long life for which this boiler was designed, these instructions must be read, understood and followed.

The Encore boiler series has been design certified by CSA for use with natural gas under the latest revision of ANSI-Z21.13/CSA 4.9, Gas-Fired Hot Water Boilers and CAN1-3.1, Industrial and Commercial Gas-Fired Packaged Boilers. Each unit has been constructed and hydrostatically tested for a maximum working pressure of 160 psi, 1103 kPa, in accordance with Section IV of the A.S.M.E. Boiler and Pressure Vessel Code.

All aspects of the boiler installation must conform to the requirements of the authority having jurisdiction, or, in the absence of such requirements, to the National Fuel Gas Code, ANSI Z223.1/NFPA 54-latest revision. Where required by the authority having jurisdiction, the installation must conform to the Standard for Controls and Safety Devices for Automatically Fired Boilers, ANSI/ASME CSD-1.

In Canada, the installation must be in accordance with the requirements of CSA B149.1 or .2, Installation Code for Gas Burning Appliances and Equipment.

If installed in the Commonwealth of Massachusetts, you **MUST FOLLOW** the additional instructions contained in RBI's instruction sheet MACODE-3. Which is located in the back of this manual.

The owner should maintain a record of all service work performed with the date and a description of the work done. Include the name of the service organization for future reference.

Direct all questions to your RBI distributor or contact the RBI Customer Service Department at: 260 North Elm Street, Westfield, MA 01085. Always include the model and serial numbers from the rating plate of the boiler in question.

## RATINGS & CAPACITIES

Before installing the Encore boiler check the rating plate to ensure that the unit has been sized properly for the job. Also ensure that the unit has been set up for the type of gas available at the installation site. Other important considerations are the availability of an adequate electrical supply, fresh air for combustion and a suitable vent system.

## BOILER LOCATION

1. This boiler is suitable for indoor installations only. Locate the boiler in an area that provides good access to the unit. Servicing may require the removal of jacket panels. Allow the minimum clearances between adjacent construction and the boiler as listed in Table 1.

**NOTICE** Service clearances are not mandatory, but are recommended to ensure ease of service should it be required.

**Table 1 - Clearances**

	Clearance to Combustibles		Service Clearance	
	in	mm	in	mm
Top	6	153	30	762
Back	6	153	24	610
Left Side	1	25	1	25
Right Side	1	25	1	25
Front	6	153	36	914
Flue	6	153		

2. An optimum site will be level, central to the piping system, close to a chimney or outside wall and have adequate fresh air for combustion. Ensure that the unit is level from front to back and from side to side. Use metal shims if leveling is required. Electrical and electronic components must be protected from exposure to water during operation and maintenance. DO NOT install this boiler in a location that would subject any of the gas ignition and other electronic components to direct contact with water or excessive moisture during operation or servicing.
3. Ensure that the floor is structurally sound and will support the weight of the boiler.

**NOTICE** The Encore may be installed directly on combustible flooring, but never on carpeting.

4. Locate the boiler in an area that will prevent water damage to adjacent construction should a leak occur or during routine maintenance.
5. DO NOT place this boiler in a location that would restrict the introduction of combustion air into the unit or subject it to a negative pressure, see the "COMBUSTION AIR & VENTILATION" and "GENERAL VENTING GUIDLINES".
6. **NEVER** place this boiler in a location that would subject it to temperatures at or near freezing.

**WARNING** Never store combustible materials, gasoline or any product containing flammable vapors or liquids in the vicinity of the boiler. Failure to comply with this warning can result in an explosion or fire causing extensive property damage, severe personal injury or death!

## COMBUSTION AIR & VENTILATION

**WARNING** This boiler must be supplied with combustion air in accordance with Section 9.3, Air for Combustion & Ventilation, of the latest revision of the National Fuel Gas Code, ANSI Z223.1/NFPA 54 and all applicable local building codes. Canadian installations must comply with CSA B149.1 or .2 Installation Code for Gas Burning Appliances and Equipment, or applicable provisions of the local building codes. Failure to provide adequate combustion air for this boiler can result in excessive levels of carbon monoxide which can result in severe personal injury or death!

To operate properly and safely this boiler requires a continuous supply of air for combustion. **NEVER** store objects on or around the boiler!

**CAUTION** Combustion air contaminated with fluoro carbons or other halogenated compounds such as cleaning solvents and refrigerants will result in the formation of acids in the combustion chamber. These acids will cause premature failure of the boiler voiding the warranty!

**CAUTION** If the boiler is operated while the building is under construction it must be protected from wood, concrete, sheet rock and other types of dust. Failure to properly protect the unit from construction dust will damage the unit voiding the warranty!

Buildings will require the installation of a fresh air duct or other means of providing make-up air if the intake air option isn't used. Any building utilizing other gas burning appliances, a fireplace, wood stove or any type of exhaust fan must be checked for adequate combustion air when all of these devices are in operation at one time. Sizing of an outside air duct must be done to meet the requirements of all such devices.

**WARNING** Never operate the Encore in an environment subjected to a negative pressure unless it is Direct Vented. Failure to comply with this warning can result in excessive levels of carbon monoxide causing severe personal injury or death!

**All Air From Inside The Building**

If the boiler is to be located in a confined space the minimum clearances listed in Table 1 must be maintained between it and any combustible construction. When installed in a confined space without the intake air option two permanent openings communicating with an additional room(s) are required. The combined volume of these spaces must have sufficient volume to meet the criteria for an unconfined space. The total air requirements of all gas utilization equipment, fireplaces, wood stoves or any type of exhaust fan must be considered when making this determination. Each opening must have a minimum free area of **1 in<sup>2</sup>/1000 Btu/hr, 2200 mm<sup>2</sup>/kW** based on the total input rating of ALL gas utilization equipment in the confined area. Each opening must be no less than **100 in<sup>2</sup>, 64,516 mm<sup>2</sup>** in size. The upper opening must be within **12 in, 300 mm** of, but not less than **3 in, 80 mm** from, the top of the enclosure. The bottom opening must be within **12 in, 300 mm** of, but not less than **3 in, 80 mm** from, the bottom of the enclosure.

**All Air From Outside The Building**

When installed in a confined space without the intake air option two permanent openings communicating directly with, or by ducts to, the outdoors or spaces that freely communicate with the outdoors must be present. The upper opening must be within **12 in, 300 mm** of, but not less than **3 in, 80 mm** from, the top of the enclosure. The bottom opening must be within **12 in, 300 mm** of, but not less than **3 in, 80 mm** from, the bottom of the enclosure.

Where directly communicating with the outdoors or communicating with the outdoors through vertical ducts, each opening shall have a minimum free area of **1 in<sup>2</sup>/4000 Btu/hr, 550 mm<sup>2</sup>/kW** of the total input rating of all of the equipment in the enclosure.

Where communicating with the outdoors through horizontal ducts, each opening shall have a minimum free area of **1 in<sup>2</sup>/2000 Btu/hr, 1100 mm<sup>2</sup>/kW** of the total input rating of all of the equipment in the enclosure.

When ducts are used, they must have the same cross-sectional area as the free area of the opening to which they connect.

**Table 2 - Make-up Air Duct Sizing**

Input (MBH)	Required Cross Sectional Duct Area					
	1/4 in, 6.4 mm Wire Screen		Metal Louvers		Wooden Louvers	
	in <sup>2</sup>	cm <sup>2</sup>	in <sup>2</sup>	cm <sup>2</sup>	in <sup>2</sup>	cm <sup>2</sup>
0350	<b>87</b>	561	<b>117</b>	754	<b>350</b>	2257
0400	<b>100</b>	645	<b>133</b>	858	<b>400</b>	2579
0500	<b>125</b>	806	<b>167</b>	1077	<b>500</b>	3226
0600	<b>150</b>	968	<b>200</b>	1290	<b>600</b>	3870
0725	<b>182</b>	1174	<b>242</b>	1561	<b>725</b>	4676
0850	<b>213</b>	1374	<b>284</b>	1832	<b>850</b>	5483

When calculating the free area necessary to meet the make-up air requirements of the enclosure, consideration must be given to the blockage effects of louvers, grills and screens.

Screens must have a minimum mesh size of **1/4 in, 6.4 mm**. If the free area through a louver or grill is not known ducts should be sized per Table 2.

**Direct Intake Air Option - General**

This configuration provides combustion air directly to the boiler's air intake using a dedicated pipe when using the direct vent option. Combustion air can be drawn in horizontally through an outside wall or vertically through the roof, see Figures 3, 4, 5 & 6. It must be sized per Table 3.

Single wall galvanized smoke pipe, single wall aluminum pipe, flexible aluminum pipe, PVC or CPVC pipe can be used for the intake air pipe.

**Table 3 - Intake Air Pipe Sizing**

Model Size	Pipe Diameter	
	in	mm
0350	<b>5</b>	127
0400	<b>5</b>	127
0500	<b>5</b>	127
0600	<b>5</b>	127
0725	<b>5</b>	127
0850	<b>5</b>	127



**NOTICE** All joints in metal intake air systems must be secured using corrosion resistant fasteners and sealed using a suitable Silicone caulk. If PVC or CPVC is used, the joints must be cleaned with a suitable solvent and connected using a solvent based PVC cement. The intake air system **MUST** be supported by the building structure not the boiler.

### Direct Intake Air Option - Vertical

The maximum equivalent length for the vertical intake air pipe is **100 ft, 30.5 m**. Each 90° mitered elbow and the intake air cap are equal to **10 ft, 3.3 m** of straight pipe. If 90° long sweep elbows are installed use the manufacturers recommended equivalent length.

A listed, nonrestrictive intake air cap must be used. The intake air cap must terminate as shown in Figure 4. The penetration point in the roof must be properly flashed and sealed.

### Direct Intake Air Option - Horizontal

The maximum equivalent length for the horizontal intake air pipe is **100 ft, 30.5 m**. Each 90° mitered elbow and the intake air terminal are equal to **10 ft, 3.3 m** of straight pipe. If 90° long sweep elbows are installed use the manufacturers recommended equivalent length.

Horizontal runs that exceed **5 ft, 1.5 m** must be supported at **3 ft, 0.98 m** intervals with overhead hangers. The intake air terminal must terminate as shown in Figures 2, 3 or 5.

## GENERAL VENTING GUIDELINES

**WARNING** The vent installation must be in accordance with Part 7, Venting of Equipment, of the National Fuel Gas Code, ANSI Z223.1/NFPA 54-latest revision or applicable provisions of the local building codes. Canadian installations must comply with CSA B149.1 or .2 Installation Code. See Figure A for added clarity. Improper venting can result in excessive levels of carbon monoxide which can result in severe personal injury or death! Boiler shall not be connected to a chimney flue serving a separate appliance, designed to burn solid fuel.

All vent systems must be fully supported by the building structure and not by the boiler. Appropriate thimbles and fire-stops must be used where required.

**WARNING** Improper installation of common positive pressure vent systems can result in excessive levels of carbon monoxide which can cause severe personal injury or death!

**NOTICE** For Category II and IV appliances the vent shall not terminate:

- 1) over public walkways; or
- 2) near soffit vents or crawl spaces or other areas where condensate or vapor could create a nuisance or hazard or cause property damage; or
- 3) where condensate vapor could cause damage or could be detrimental to the operation of regulators, relief valves, or other equipment.

**NOTICE** A barometric damper or blast gate as required, must be installed if a Category II vertical vent system produces a negative draft in excess of **0.10 in, 2.5 mm WC** at the flue outlet. Size the vent system per local codes and the vent pipe manufacturers requirements, using generally accepted engineering practices.

## VENT SYSTEM OPTIONS

The Encore may be vented the following ways:

- 1) **PVC/CPVC NON-METALIC VENT** - Category IV - (Page 10)
- 2) **CONCENTRIC TERMINATION (MODELS 350-600 ONLY)** - Category IV - (Page 11)
- 3) **POLYPROPYLENE NON-METALIC VENT** - Category IV - (Page 14)
- 4) **DIRECT VENT POSITIVE PRESSURE** - Category IV - (Page 15)
- 5) **SIDE WALL VENT POSITIVE PRESSURE**, Category IV - (Page 18)
- 6) **VERTICAL VENT POSITIVE PRESSURE** - Category IV - (Page 18)
- 7) **COMMON MULTIPLE BOILER VERTICAL VENT NEGATIVE PRESSURE**, Category II - (Page 19)
- 8) **OUTDOOR VENTING** - (Page 25)

The Encore, comes fitted with a HeatNet flue temperature sensor. This sensor provides over temperature protection for the vent system. Should the temperature of the flue gas ever approach the heat deflection temperature of the vent, HeatNet will shut down the Encore before the flue temperature can exceed a safe limit.

**WARNING** Use (Table 4) for the maximum Category (IV) equivalent vent length and the equivalent length per fitting. Table 4 - “Category IV Equivalent Length per Fitting” chart is meant as a guideline for preliminary sizing.

**Table 4 - Category IV Maximum Equivalent Vent Length & Equivalent Length per Fitting - SS/PVC/PP**

Model/Outlet Diameter	0350	0400	0500	0600	0725	0850
	4"	4"	4"	4"	6"	6"
Maximum Equivalent Length (Category IV)	100'	100'	100'	100'	100'	100'
Standard Tee	20 ft	20 ft	20 ft	20 ft	25 ft	25 ft
Boot Tee	10 ft	10 ft	10 ft	10 ft	15 ft	15 ft
Cap - Low Res (UL)	7 ft	7 ft	7 ft	7 ft	10 ft	10 ft
45° w/Bird Screen	7 ft	7 ft	7 ft	7 ft	10 ft	10 ft
Elbow - 90°	7 ft	7 ft	7 ft	7 ft	10 ft	10 ft
Elbow - 45°	5 ft	5 ft	5 ft	5 ft	5 ft	5 ft
Concentric Terminal	7 ft	7 ft	7 ft	7 ft	N/A	N/A

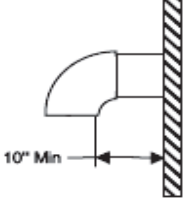
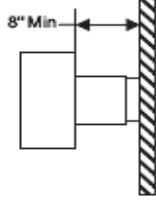
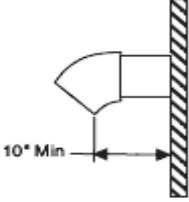
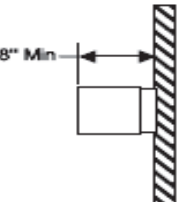
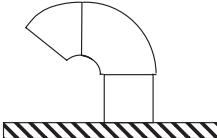
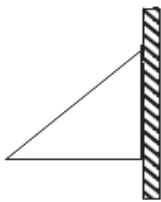
\*Equivalent lengths based (5X) pipe diameters straight length between fittings.

**WARNING** The RBI Encore is supplied with a factory installed PVC/CPVC flue outlet adapter. The RBI Encore has been approved for use with the optional Polypropylene and Stainless Steel vent adapters. Use only listed manufacturers/materials (Table 5), terminations (Table 6), and transition adapters/terminals (Table 7). A manufacturers supplied stainless steel transition piece must be used when installed with different vent systems. Do not mix vent systems of different manufacturers. The chimney systems manufacturer's installation instructions must be followed.

**Table 5 - Approved Vent Manufacturers/Materials**

<b>Approved Stainless Steel Vent Manufacturers (CAT II/IV)</b>	
<b>Make</b>	<b>Model</b>
M&G DuraVent	FasNSeal Vent
Heatfab	Saf-T Vent
Metal-Fab	CORR/GUARD
Security Chimneys	Secure Seal
Schebler Chimney Systems	e Vent
Z-Flex	Z-Vent
Jeremias	DWGV/SWGV
Stainless Steel Vent material must be certified to UL 1738 for installations in the United States, and certified to ULC S636 for installations in Canada.	
<b>Approved Polypropylene Vent Manufacturers (CAT IV)</b>	
<b>Make</b>	<b>Model</b>
M&G DuraVent	PolyPro
Centrotherm	InnoFlue
Polypropylene Vent material must be certified to UL 1738 for installations in the United States, and certified to ULC S636 for installations in Canada.	
<b>Approved Concentric Vent Manufacturer (CAT IV)</b>	
<b>Make</b>	<b>Model/Standard</b>
IPEX	IPEX (System 1738) - PVC
	IPEX (System 636) - PVC
	IPEX (System 636) - CPVC
IPEX System 1738 & 636 Pipe, Fittings, Termination Kits and Cements are certified to be installed as a system.	
<b>Approved PVC/CPVC Vent Pipe and Fittings (CAT IV)</b>	
<b>Material</b>	<b>Standard</b>
PVC Schedule 40	ANSI/ASTM - D1785 Pipe, D2466 Fittings, D2564 Cement/Primer
CPVC Schedule 40	ANSI/ASTM - F441 Pipe, F439 Fittings, F493 Cement/Primer
Use of cellular core PVC , CPVC, is prohibited. In Canada, PVC & CPVC vent pipe, fittings and cement/primer must be certified to ULC S636.	

**Table 6 - Approved Intake/Exhaust Terminations (CAT IV - Direct Vent, Side Wall)\***

<b>Exhaust 90 deg</b>	<b>Exhaust Tee</b>	<b>Exhaust 45 deg</b>
		
<b>Exhaust Straight</b>	<b>Exhaust Non Metallic Vent Option</b>	<b>Exhaust Termination Hood</b>
		

\*with bird screen



**Table 7 - Approved Manufacturers Boiler Transition Adapters/Concentric Termination Kits**

<b>Stainless Steel Adapters</b>						
<b>Model Size</b>	<b>DuraVent</b>		<b>Metal-Fab</b>		<b>Z-Flex</b>	
	Transition Adapter	Flue	Transition Adapter	Flue	Transition Adapter	Flue
0350	FSA-4PVCM-4FNSF 810005545	FasNSeal	No Adapter Required	Corr/Guard	2SVSPVCO4	Z-Vent
0400						
0500						
0600						
0725			FSA-6PVCM-6FNSF 810005231		6FCGPVCA	
0850						
<b>Model Size</b>	<b>Heatfab</b>		<b>Security Chimneys (Secure Seal)</b>		<b>Jeremias</b>	
	Transition Adapter	Flue	Transition Adapter	Flue	Transition Adapter	Flue
0350	9401PVC	Saf-T Vent	SS4PVCU	Secure Seal	SWG-4-PVC	DWGV/SWGV
0400						
0500						
0600						
0725			9601PVC		SS6PVCU	
0850						
<b>Polypropylene Adapters</b>						
<b>Model Size</b>	<b>DuraVent</b>			<b>Centrotherm</b>		
	Transition Adapter	Flue		Transition Adapter	Flue	
0350	4PPS-04PVCM-4PPF 810004207	PolyPro		ISAAL0404	InnoFlue	
0400						
0500						
0600						
0725				6PPS-06PVCM-6PPF 810004281		
0850						
<b>Concentric Roof or Wall Terminal</b>						
<b>Model Size</b>	<b>IPEX Termination Kit</b>					
	IPEX1738 - PVC		IPEX 636 - PVC		IPEX 636 - CPVC	
0350	397021		196021		197021	
0400						
0500						
0600						

**WARNING** The RBI Encore is supplied with a factory installed PVC/CPVC flue outlet adapter. The RBI Encore has been approved for use with the optional Polypropylene and Stainless Steel vent adapters. Use only listed manufacturers/materials (Table 5), terminations (Table 6), and transition adapters/terminals (Table 7). A manufacturer supplied stainless steel transition piece must be used when installed with different vent systems. Do not mix vent systems of different manufacturers. The chimney systems manufacturer's installation instructions must be followed.

## PVC/CPVC NON-METALIC VENT

These instructions are specific to using schedule 40 PVC/CPVC pipe as the vent system for the Encore. The instructions contained in the Encore Installation and Operation Manual, including all applicable Combustion Air & Ventilation and Venting instructions must be followed. The Encore is fitted with a PVC/CPVC adapter standard and is approved for use with the PVC/CPVC vent materials listed in Table 5.

**WARNING** Venting of the Encore with PVC/CPVC material requires the PVC/CPVC adapter provided with the appliance. The vent system must conform to local codes and/or the latest edition of the National Fuel Gas Code ANSI Z223.1/NFPA 54. Failure to properly vent this product can result in CO poisoning causing severe personal injury or death! In Canada, PVC and CPVC vent pipe, fittings and cement primer must be certified to ULC-S636.

## PVC/CPVC VENT SYSTEM INSTALLATION

**WARNING** Never insulate or encapsulate the PVC/CPVC vent system or overheating and failure of the vent system may occur. The PVC/CPVC vent system must be exposed to ambient air and readily visible for inspection. Failure to properly vent this product can result in CO poisoning causing severe personal injury or death! Exception: Per NFPA54 Section 12.6.8: The remaining space surrounding a chimney liner, gas vent, special gas vent or plastic piping installed within a masonry chimney shall not be used to vent another appliance.

The PVC/CPVC vent adapter has been engineered to directly accept PVC/CPVC vent pipe. The internal gasket in the vent adaptor will form a gas and water tight seal. No glues or sealants are required at this connection. Slide the required length of PVC/CPVC pipe into the vent adaptor and tighten the ring clamp to secure it in place. The vent system must be sized per Table 4.

## PVC/CPVC VENT PIPE PREPARATION & ASSEMBLY

**CAUTION** Only schedule 40 PVC/CPVC pipe as listed in Table 5 and sized per Table 4 must be used. The use of heavier wall pipe may prevent the Encore from operating properly! In Canada, PVC & CPVC vent pipe, fittings and cement/primer must be certified to ULC S636.

1. Cut pipe ends squarely and remove all burrs, ridges and foreign matter using the appropriate tools and materials.

**NOTICE** Failure to remove burrs or ridges will result in the cement in the fitting socket being scraped from the socket surface producing a dry joint which will have a high probability of failure.

2. Before applying any cement dry fit pipe and fittings together to ensure that the parts fit properly.
3. Disassemble dry fitted parts and clean the pipe and fitting surfaces to be joined with a PVC/CPVC cleaner. Surfaces to be joined must be free of dirt, moisture, oil and other foreign matter.

**WARNING** All primers, cleaners and cements must meet all local codes. Before using primers, cleaners and cements, stir or shake well, making sure the contents are liquid. Do not use if found to be lumpy or in a jelly-like state. Do not add solvents or thinners to reclaim thickened or lumpy material. Primers and cement should be NSF and/or UPC listed. Failure to use proper materials when venting this product can result in CO poisoning causing severe personal injury or death.

**WARNING** Use of cellular core PVC (ASTM F891), cellular core CPVC, or Radel (polyphenolsulfone) in venting systems shall be prohibited.

Covering non-metallic vent pipe and fittings with thermal insulation shall be prohibited.

**WARNING** Primers, cleaners and cements are extremely flammable and harmful or fatal if swallowed. Always store primers, cleaners and cements in a cool, dry, well ventilated place. Do not store them near heat, sparks or flames. Keep containers closed when not in use. Wear impervious clothing while handling. Do not smoke, eat or drink while handling primers, cleaners and cements. Wash thoroughly after handling and before eating. Wear eye protection when handling. The harmful vapors can be absorbed through the skin and may irritate eyes and skin. If inhaled, get fresh air and seek medical attention if ill feelings persist. In case of eye and/or skin contact, immediately flush with plenty of water for 15 minutes and seek medical attention if irritation persists. If swallowed, drink water, do not induce vomiting and call a physician or poison control center immediately. Failure to read and observe all safety information printed on primer, cleaner and cement containers can result in severe personal injury or death!

**NOTICE** Cleaners and primers are intended for different functions and should not be considered inter-changeable. Verify with vent material manufacturer for specific requirements.

4. Apply a coat of primer to the pipe and fitting surfaces that will be joined.
5. Apply a thin coat of cement to the fitting surface that will be joined making sure not over apply the cement which can cause puddling inside the fitting.
6. Apply a thin coat of cement to the pipe surface that will be joined making sure to completely coat the area so it is free of voids.
7. QUICKLY assemble the parts while the cement is fluid! If the cement dries before the parts are assembled, re-coat the surfaces with cement then assemble them.
8. Push the end of the pipe completely into the fitting socket so it bottoms out and rotate the fitting or pipe at least 1/4 turn to achieve proper cement spread. Make sure the parts are in the correct orientation before the cement cures. The cement bonds by melting the PVC/CPVC so once the joint is made it cannot be disassembled.
9. Hold the pipe and fitting for 30 seconds to allow the joint to sufficiently cure then carefully clean off any excess cement with a cloth.
10. Follow the PVC/CPVC cement manufacturer's instructions to allow the connections sufficient time to cure before putting any stress on the joint.

## **CONCENTRIC TERMINATION OPTION (Models 350-600 only) - Figures 1 & 2**

Encore has been approved for use with IPEX System 1738 & System S636 Concentric termination kits - Table 5 & 7. Both combustion air and vent pipes must attach to the termination kit. The kit must terminate outside the structure and must be installed per the manufacturers installation instructions. IPEX System 1738 & 636 Pipe, Fittings, Termination Kits and Cements are certified to be installed as a system. The manufacturer's Concentric vent kit installation instruction must be followed. Termination kit must be located and installed in accordance with local building codes.

## **SIDEWALL TERMINATION - CONCENTRIC VENT**

When vented horizontally the vent and air intake must terminate an outside wall. The termination location and clearances per manufactures instructions must be followed. The total equivalent length of pipe must be within the lengths noted in Table 4. For multiple installations, each appliance must be individually vented.

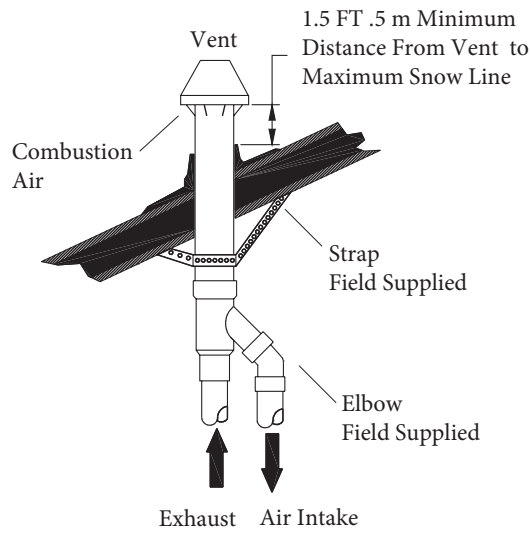
## **VERTICAL TERMINATION - CONCENTRIC VENT**

When vented vertically the termination kit is installed through the roof. The termination location and clearances must be followed. The total equivalent length of pipe must be within the lengths noted in Table 4. For multiple installations, each appliance must be individually vented.

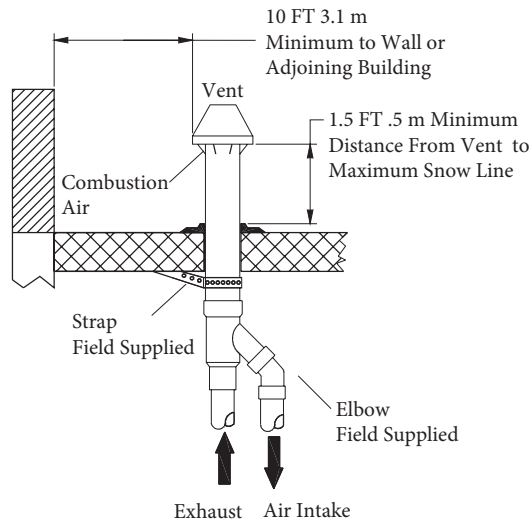
**WARNING** The Concentric vent kit must not be modified. The manufacturer's Concentric vent kit installation instruction must be followed. Do not connect any other appliance to the vent pipe or multiple boilers to a common vent pipe. Airflow restriction will occur and may cause improper operation. The concentric vent must be installed where vapors will not damage nearby shrubs, plants or air conditioning equipment. Avoid locations where prevailing winds could cause freezing of condensate/flue products resulting in ice buildup on building surfaces. Do not terminate above any door or window. Condensate can freeze, causing ice formations. Failure to comply could result in severe personal injury, death, or substantial property damage.

Figure 1 - Concentric w/Single Termination

**Pitched Roof Termination**



**Flat Roof Termination**



**Side Wall Termination**

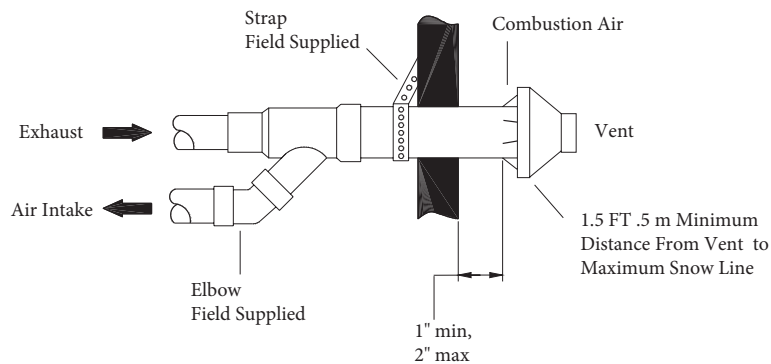
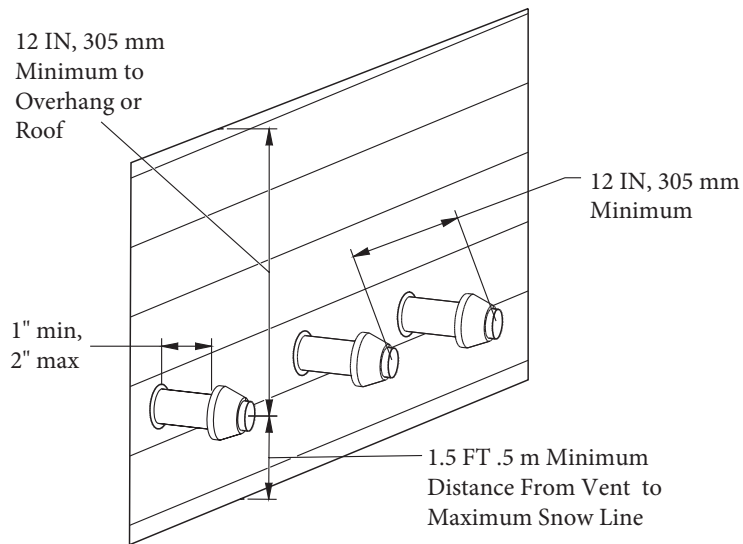


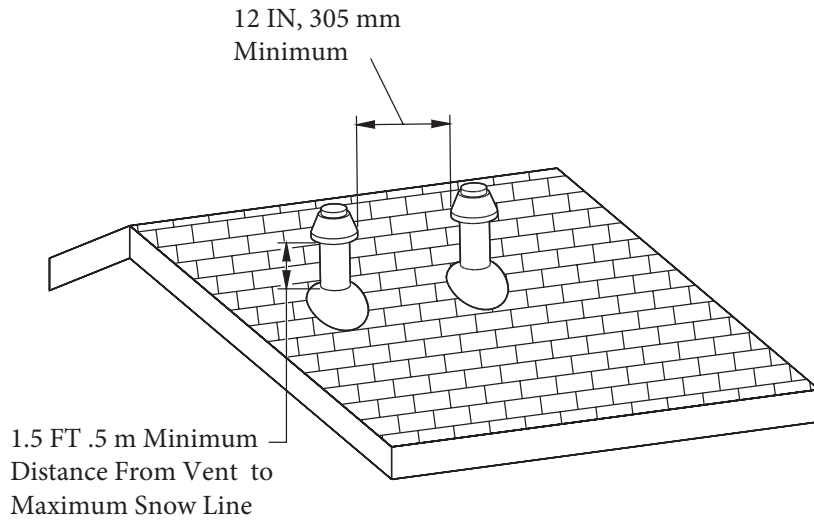


Figure 2 - Concentric w/Multiple Terminations

Side Wall Termination



Roof Termination



## **POLYPROPYLENE NON-METALIC VENT OPTION**

Encore has been approved for use with the Polypropylene vent manufacturers listed in Table 5. The instructions contained in this section of the Installation and Operation Manual, including all applicable Combustion Air & Ventilation and Venting instructions must also be followed.

**WARNING** Venting of the Encore with polypropylene material requires the factory supplied Non Metallic Polypropylene adapter Table 7. The vent system must be certified to UL 1738 for installations in the United States, ULC S636 for installations in Canada. The vent system must conform to local codes and/or the latest edition of the National Fuel Gas Code ANSI Z223.1/ NFPA 54. In Canada, the installation must be in accordance with the requirements of CSA B149.1 or .2, Installation Code; For Gas Burning Appliances and Equipment. Failure to properly vent this product can result in CO poisoning causing severe personal injury or death!

## **VENT ADAPTER INSTALLATION**

**CAUTION** Improper installation of the Polypropylene vent adapter can cause pooling of corrosive condensate and result in premature failure of the vent adapter voiding the manufacturer's warranty!

## **MANUFACTURERS VENT SYSTEM INSTALLATION**

**WARNING** The vent manufacturer's installation instructions MUST be followed. Mixing vent systems of different manufacturers is prohibited. Failure to use the proper materials when venting this product can result in CO poisoning causing severe personal injury or death!

**WARNING** Use of cellular core PVC (ASTM F891), cellular core CPVC, or Radel (polyphenolsulfone) in venting systems shall be prohibited.

Covering non-metallic vent pipe and fittings with thermal insulation shall be prohibited.

## **MANUFACTURERS VENT TERMINALS**

When vented horizontally the vent and air intake systems must be terminated using standard Polypropylene fitting, (Table 8. Each termination must utilize a Bird Screen insert as indicated below. The minimum distance from the wall must be maintained as shown in the Table 6.

**Table 8 Polypropylene Flue Terminal\***

Centrotherm InnoFlue		
Terminal Type	Nominal Diameter	Centrotherm Part #
Tee	4"	ISTT0420
	6"	ISTT0620
45° Elbow	4"	ISEL0445
	6"	ISEL0645
90° Elbow	4"	ISEL0487
	6"	ISEL0687
Bird Screen	4"	IASSS04
	6"	IASSS06
Duravent Polypro		
Terminal Type	Nominal Diameter	DuraVent Part #
Tee	4"	FSTT6
	6"	FSTT8
90° Elbow	4"	FSBS6
	6"	FSBS8

When vented vertically the vent and air intake systems should be terminated using standard 45° and 90° polypropylene elbow fittings with a 1/4 in stainless steel bird-screen insert.

## **DIRECT VENT POSITIVE PRESSURE, CATEGORY IV**

In this configuration the boiler blower is used to push the flue products to the outdoors while drawing combustion air from the outdoors. The INTAKE AIR OPTION instructions under the COMBUSTION AIR & VENTILATION SECTION must be followed! The approved vent manufacturers/materials used in positive pressure vent systems are listed in Table 5. The vent system must conform to local codes and/or the latest edition of the National Fuel Gas Code ANSI Z223.1/ NFPA 54. In Canada, the installation must be in accordance with the requirements of CSA B149.1 or .2, Installation Code; For Gas Burning Appliances and Equipment. Failure to properly vent this product can result in CO poisoning causing severe personal injury or death! The vent system must be both gas and water tight. All seams and joints in metal pipes must be joined and sealed in accordance with Tables 4, 5, 6, & 7 and the vent system manufacturer's instructions.

### **Horizontal Direct Vent Systems - Figures 3 & 4**

To maximize the performance of the overall vent system locate 90° elbows as far from the boiler as possible and from one another. For best results, horizontal vent systems should be as short and straight as possible.

When horizontal vent runs exceed **5 ft, 1.5m** they must be supported at **3 ft, 0.98 m** intervals with overhead hangers. If any part of a single wall metal vent system passes through an unheated space it must be insulated with insulation rated for **400°F, 212°C**.

Horizontal vent systems shall terminate at least **4 ft, 1.3 m** below, **4 ft, 1.3 m** horizontally from or **1 ft, 0.23 m** above any door, window or gravity air inlet into any building. It must not terminate less than **4 ft, 1.3 m** horizontally from, and in no case above or below, unless a **4 ft, 1.3 m** horizontal distance is maintained, from electric meters, gas meters, regulators and relief equipment and not less than **7 ft, 2.3 m** above adjacent public walkway. The bottom of the vent terminal(s) shall be located at least **5 ft, 1.5 m** above the air intake terminal(s) unless there is a **5 ft, 1.5 m** distance between them.

Avoid terminal locations likely to be affected by winds, snowdrifts, people and pets. Protect building materials and vegetation from degradation caused by the flue gases.

When running horizontal combustion air and venting for single or multiple units, exhaust and combustion air terminals must be installed on the same plane (outside wall) in order to prevent pressure differences due to prevailing winds. In cold climates, double-wall or insulated inlet pipe recommended to prevent condensation.

### **Vertical Direct Vent Systems - see Figure 5**

If any part of a single wall metal vent system passes through an unheated space it must be insulated with insulation rated for **400°F, 204°C**. Structural penetrations must be made using approved fire-stops.

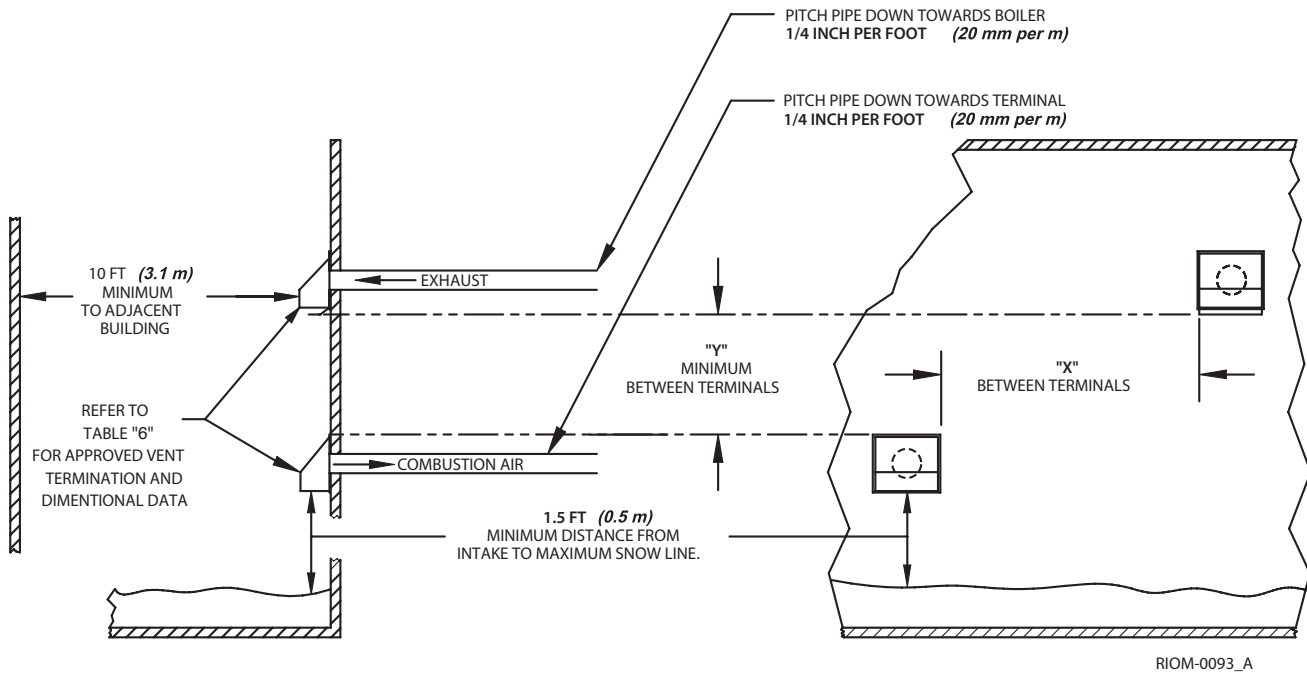
The top of a vertical vent system must extend at least **5 1/2 ft, 1.8 m** above the roof surface that it passes through, **4 ft, 1.3 m** above the intake air cap, see Figure 4. In addition the vent system must conform to the dimensions shown in Figure 4. The penetration point in the roof must be properly flashed and sealed.

The vent system must be gas tight. All seams and joints in metal pipes must be joined and sealed in accordance with the vent system manufacturer's instructions.

### **Combination Direct Vent Systems - see Figure 6**

The boiler can be vented vertically with the intake air piped horizontally through an outside wall. Follow the instructions in the INTAKE AIR OPTION - HORIZONTAL GUIDELINES. Also follow the general instructions in the COMBUSTION AIR & VENTILATION and GENERAL VENTING GUIDELINES sections.

Figure 3 - Horizontal Air Intake and Venting for a Single Direct Vent System



**WARNING:** When running horizontal combustion air and venting for single or multiple units, exhaust and combustion air terminals must be installed on the same plane (outside wall) in order to prevent pressure differences due to prevailing winds. In cold climates, double-wall or insulated inlet pipe recommended to prevent condensation.

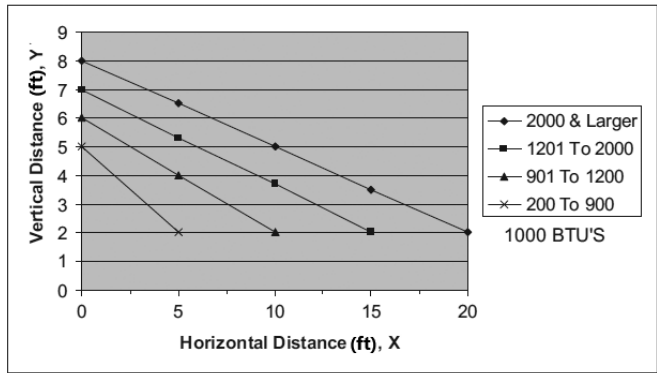


Figure 4 - Horizontal Air Intake and Venting for Multiple Direct Vent Systems

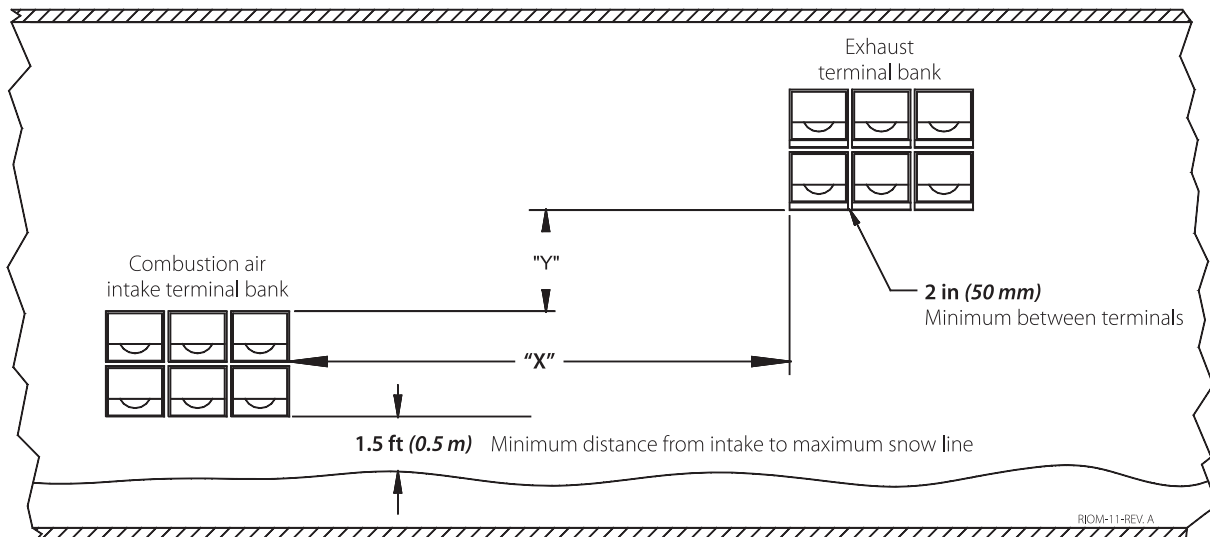




Figure 5 - Vertical Air Intake and Venting for Direct Vent System

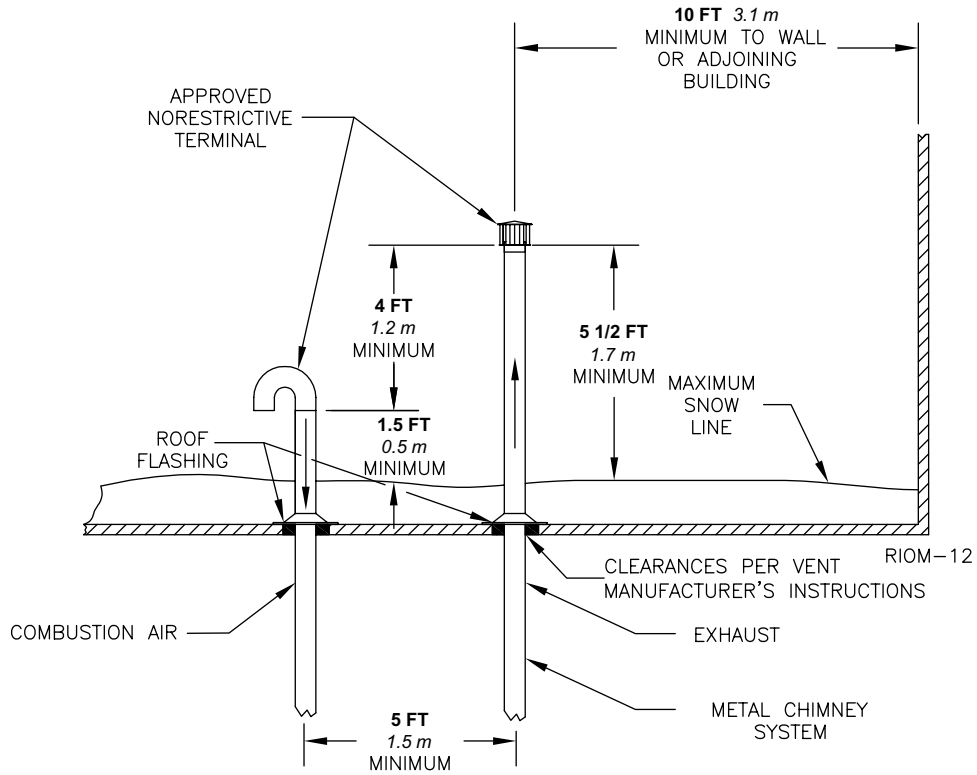
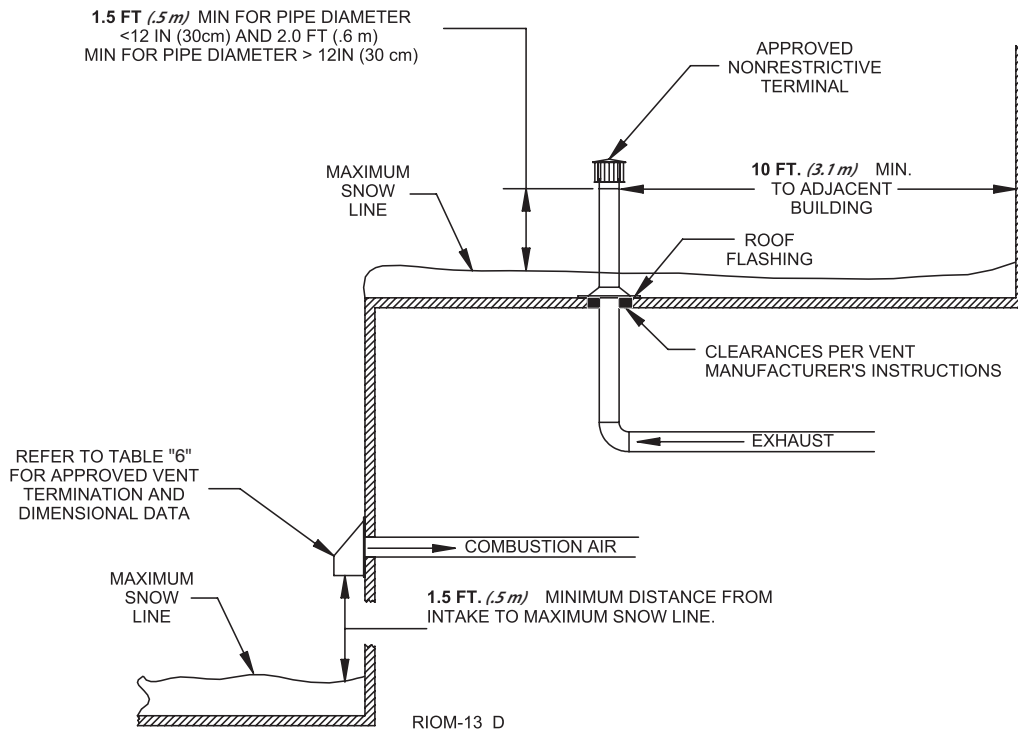


Figure 6 - Combination Direct Vent Systems

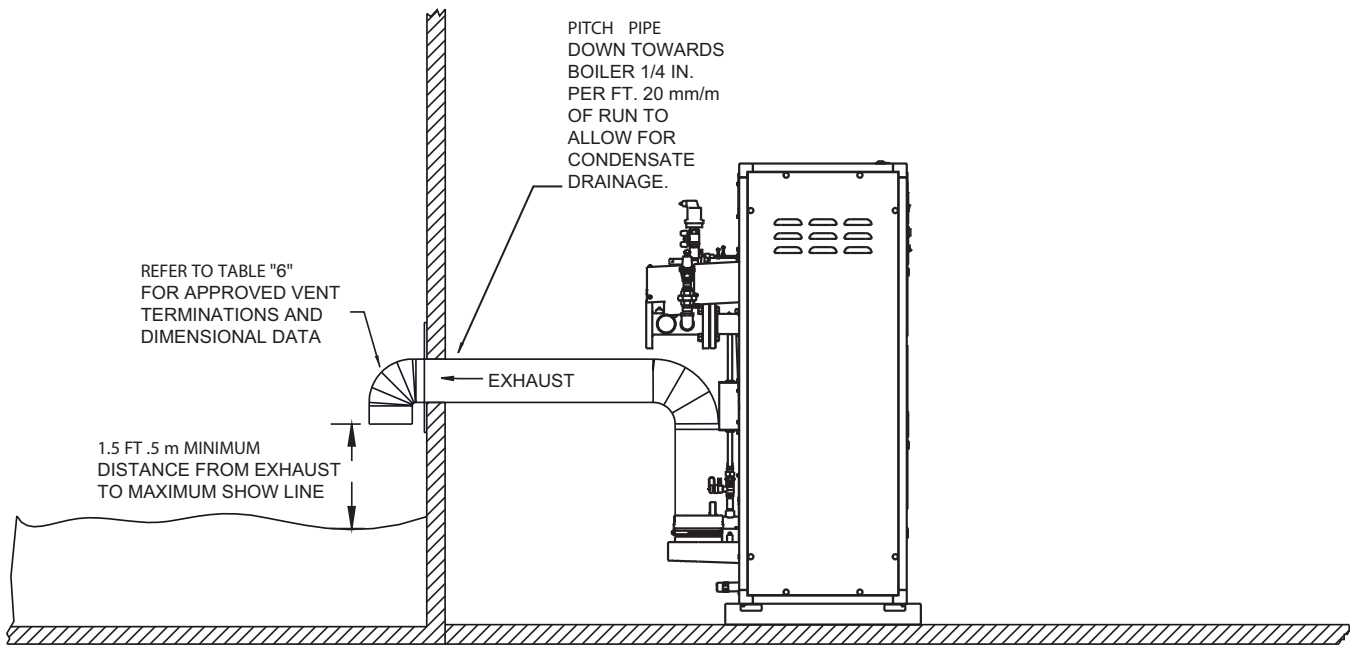


## SIDE WALL VENT POSITIVE PRESSURE, CATEGORY IV

In this configuration the boiler blower is used to push the flue products horizontally to the outdoors, see Figure 7.

**WARNING** To ensure proper operation, boilers that are vented sidewall and use room air must not exceed a 6:1 turndown.

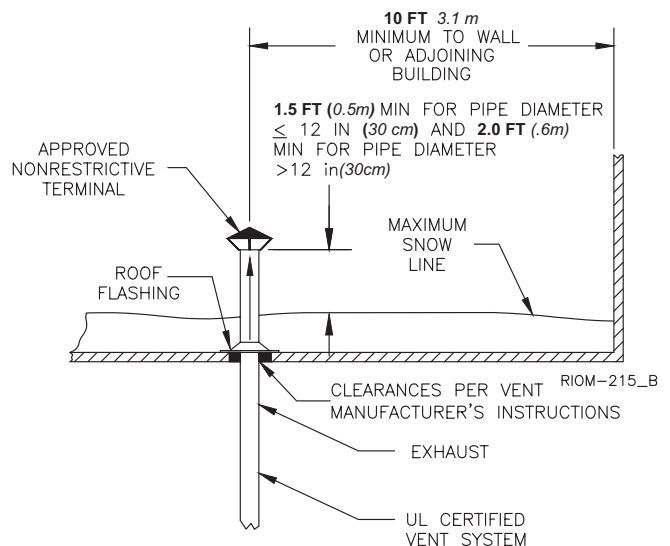
Figure 7 - Side Wall Venting



## VERTICAL VENT POSITIVE PRESSURE - CATEGORY IV

In this configuration the boiler blower is used to push the flue products vertically to the outdoors, see Figure 8. The combustion air is taken from the space in which the unit is installed. The applicable instructions under the COMBUSTION AIR & VENTILATION and DIRECT VENT POSITIVE PRESSURE, CATEGORY IV sections must be followed!

Figure 8 - Vertical Positive Pressure Venting



## MULTIPLE BOILER VERTICAL VENT NEGATIVE PRESSURE - CATEGORY II

The Encore is listed as a Category II appliance when vented vertically into a UL 1738 listed chimney system, Figure 10. The chimney system must provide a negative pressure of 0.02 to 0.10 in, 0.51 to 2.5 mm WC at the boiler flue collar with the unit is running.

**NOTICE** A stainless steel metal chimney system certified to UL 1738 for installations in the United States, and certified to ULC S636 for installations in Canada must be used - Table 5. The chimney system manufacturer's installation instructions must be followed.

**WARNING** Multiple boiler vent systems must be designed and verified by an engineered system. The vent system must prevent back-flow of exhaust gas through idle boilers.

When more than one appliance is connected to the same chimney system the system must be large enough to safely vent the combined output of all of the appliances. Table 9 lists the minimum riser connections.

**WARNING** If an appliance using any type of a mechanical draft system operating under positive pressure is connected to a chimney flue, never connect any other appliances to this flue. Doing so can result in excessive levels of carbon monoxide which can cause severe personal injury or death!

**Table 9 - Minimum Riser Connection, Negative Pressure**

Model Size	Breach & Flue Diameter	
	in	mm
0350	6	152
0400	6	152
0500	6	152
0600	6	152
0725	8	203
0850	8	203

**NOTICE** Vent system must be sized per an engineered system.

### Vent Connections

Locate the boiler as close to the chimney system as possible. Use the shortest, straightest vent connector possible for the installation. If horizontal runs exceed **5 ft, 1.5 m** they must be supported at **3 ft, 0.9 m** intervals with overhead hangers. Use the appropriate vent connector of the same diameter as the flue collar to connect the boiler to a listed metal chimney system. Follow the chimney system manufacturer's instructions for proper assembly.

The vent system should be sloped up toward the chimney at a minimum rate of **1/4 in/ft, 2 cm/m**.

Always provide a minimum clearance of **6 in, 152 mm** between single wall vent pipe and any combustible materials.

**WARNING** Failure to maintain minimum clearances between vent connectors and any combustible material can result in a fire causing extensive property damage, severe personal injury or death!

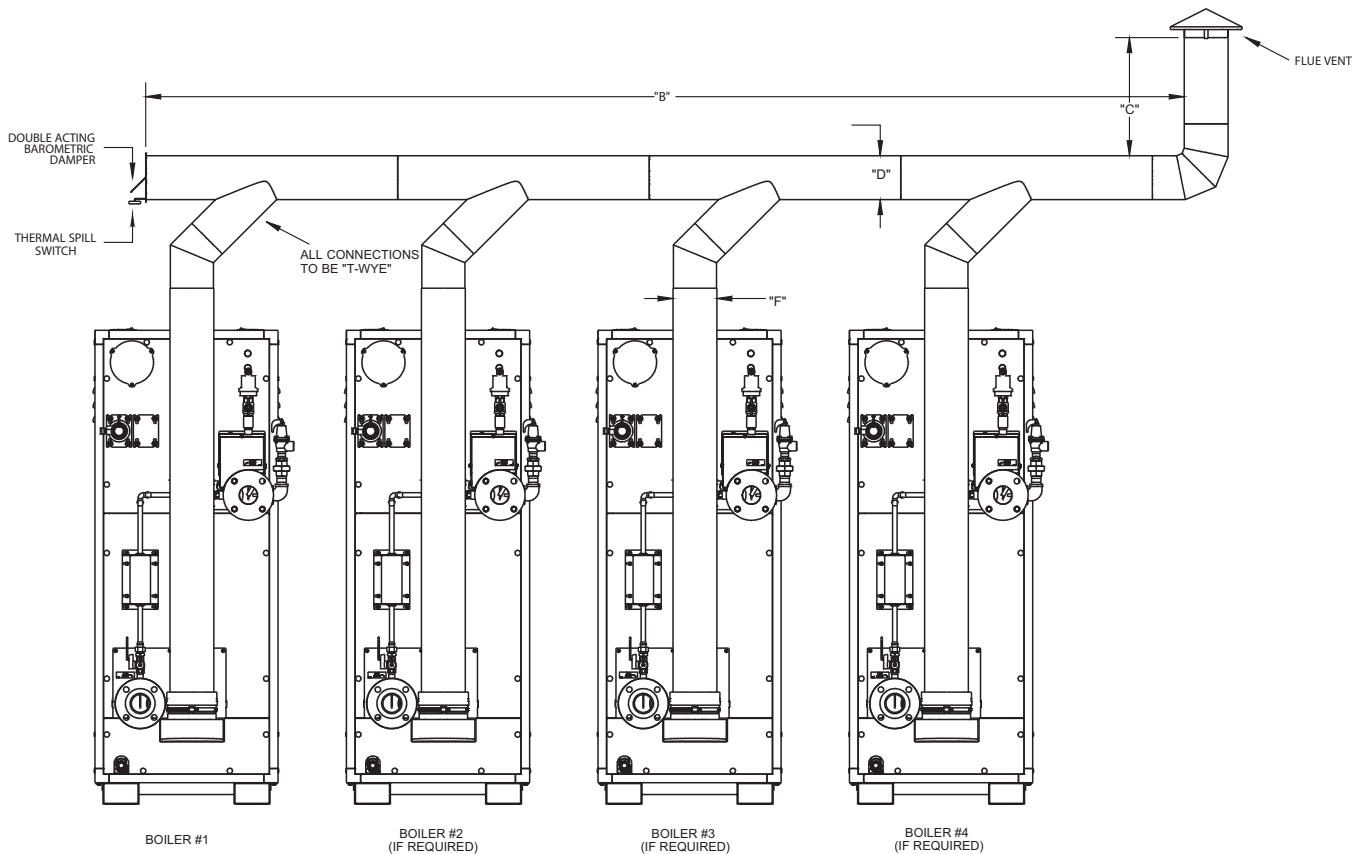
### Figure 9 - Exit Cone

Exit cones are favorable when used to increase the velocity of the flue gas exiting the stack and, may also help, in cold climates, to reduce ice build-up. Exit cone terminations must be supplied by others, installed per manufacturer's instructions, and meet local and federal code.



*generic exit cone*

Figure 10 - Multiple Boiler Common Venting



**VERTICAL CHIMNEY VENTING** - Vertical venting - multiple boiler installations. Individual boiler input is capable of firing up to a maximum (10:1 NG & 8:1 LP) turndown:

**WARNING** It is recommended that the boiler nearest the vertical chimney be fired first when the horizontal distance exceeds 50% of the vertical distance. Refer to the HeatNet manual on how to select the lead boiler.

When sized for a (CAT II) configuration, a negative pressure of 0.02 to 0.10 inches WC is required in each boiler's riser when all boilers are operating at full input. A barometer damper must be installed as illustrated. [Exception: if the vent system is designed using accepted engineering practices, and the design calculations prove there is no need for barometric dampers, the barometric dampers may be omitted.] When required by applicable codes, install a thermal spill switch on each barometric damper.

1. Connect each boiler riser to the common vent with a Y connection or Boot T only.
2. Install an approved vent cap at each vent termination.
3. Dimensions:
  - B = breeching length
  - C = chimney height
  - D = breeching diameter
  - F = riser diameter
  - (No smaller than the dimension given in Table 4, page 6.)
4. Size the chimney and breeching per local codes and accordance with the National Fuel Gas Code, ANSI Z223.1/NFPA 54 and/ or the CSA B149.1, Natural Gas and Propane Installation Code (Current Editions), local codes and vent manufacturer's installation instructions. Size the chimney and breeching using generally accepted engineering practices. (Consult factory for vertical heights beyond 60 ft.)

## **EXISTING COMMON VENT SYSTEMS**

If an existing boiler is removed from a common venting system, the common venting system may then be too large for the proper venting of the remaining appliances connected to it. At the time of removal of an existing boiler, the following steps shall be followed with each appliance remaining connected to the common venting system placed in operation, while the other appliances remaining connected to the common venting system are not in operation.

Au moment du retrait d'une chaudière existante, les mesures suivantes doivent être prises pour chaque appareil toujours raccordé au système d'évacuation commun et qui fonctionne alors que d'autres appareils toujours raccordés au système d'évacuation ne fonctionnent pas: système d'évacuation

- a) Seal any unused openings in the common venting system.

Sceller toutes les ouvertures non utilisées du système d'évacuation.

- b) Visually inspect the venting system for proper size and horizontal pitch and determine there is no blockage or restriction, leakage, corrosion and other deficiencies which could cause an unsafe condition. Inspecter de façon visuelle le système d'évacuation pour déterminer la grosseur et l'inclinaison horizontale qui conviennent et s'assurer que le système est exempt d'obstruction, d'étranglement de fuite, de corrosion et autres défaillances qui pourraient présenter des risques.

- c) Insofar as is practical, close all building doors and windows and all doors between the space in which the appliances remaining connected to the common venting system are located and other spaces of the building. Turn on clothes dryers and any appliance not connected to the common venting system. Turn on any exhaust fans, such as range hoods and bathroom exhaust, so they will operate at maximum speed. Do not operate a summer exhaust fan for a boiler installation. Close fireplace dampers.

Dans la mesure du possible, fermer toutes les portes et les fenêtres du bâtiment et toutes les portes entre l'espace où les appareils toujours raccordés du système d'évacuation sont installés et les autres espaces du bâtiment. Mettre en marche les sècheuses, tous les appareils non raccordés au système d'évacuation commun et tous les ventilateurs d'extraction comme les hottes de cuisinière et les ventilateurs des salles de bain. S'assurer que ces ventilateurs fonctionnent à la vitesse maximale. Ne pas faire fonctionner les ventilateurs d'été. Fermer les registres des cheminées.

- d) Place in operation the appliance being inspected. Follow the lighting instructions. Adjust thermostat so appliance will operate continuously.

Mettre l'appareil inspecté en marche. Suivre les instructions d'allumage. Régler le thermostat de façon que l'appareil fonctionne de façon continue.

- e) After it has been determined that each appliance remaining connected to the common venting system properly vents when tested as outlined above, return doors, windows, exhaust fans, fireplace dampers and any other gas-burning appliance to their previous condition of use.

Une fois qu'il a été déterminé, selon la méthode indiquée ci-dessus, que chaque appareil raccordé au système d'évacuation est mis à l'air libre de façon adéquate. Remettre les portes et les fenêtres, les ventilateurs, les registres de cheminées et les appareils au gaz à leur position originale.

- f) Any improper operation of the common venting system should be corrected so the installation conforms with the National Fuel Gas Code, ANSI Z223.1/NFPA 54. When resizing any portion of the common venting system, the common venting system should be resized to approach the minimum size as determined using the appropriate tables in Appendix F in the National Fuel Gas Code, ANSI Z223.1/NFPA 54 and or CSA B149 Installation Codes.

Tout mauvais fonctionnement du système d'évacuation commun devrait être corrigé de façon que l'installation soit conforme au National Fuel Gas Code, ANSI Z223.1/NFPA 54 et (ou) aux codes d'installation CSA-B149. Si la grosseur d'une section du système d'évacuation doit être modifiée, le système devrait être modifié pour respecter les valeurs minimales des tableaux pertinents de l'appendice F du National Fuel Gas Code, ANSI Z223.1/NFPA 54 et (ou) des codes d'installation CSA-B149.

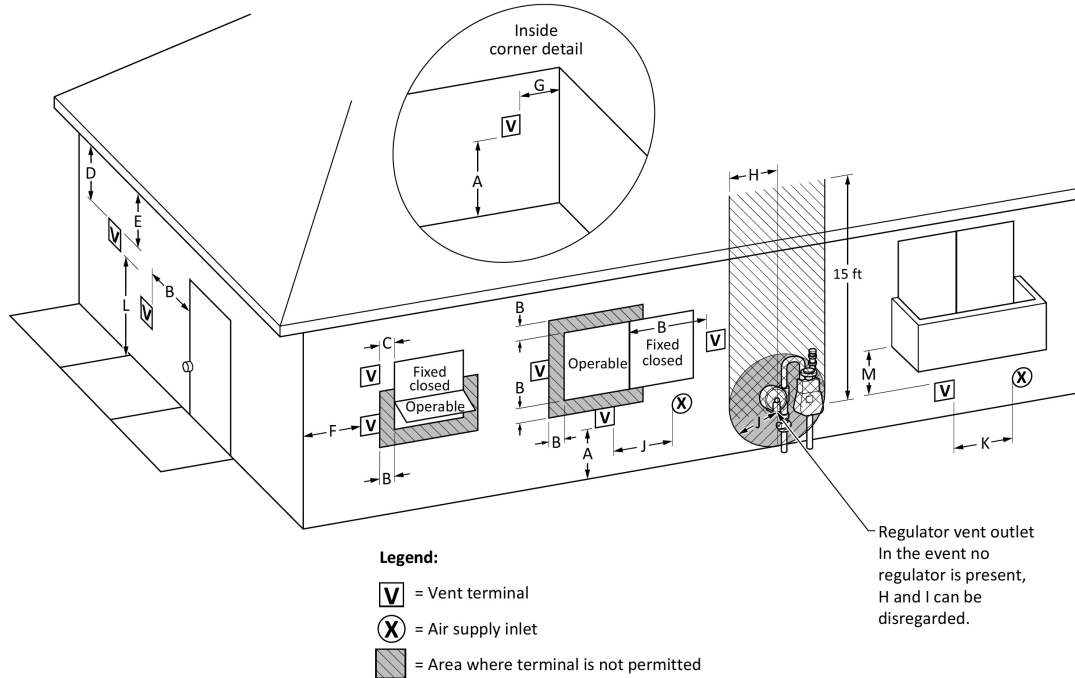


Figure A - Direct Vent Terminal Clearances

		<b>Canadian Installations<sup>1</sup></b>	<b>US Installations<sup>2</sup></b>
A =	Clearance above grade, veranda, porch, deck, or balcony	12 in (30 cm)	12 in (30 cm)
B =	Clearance to window or door that may be opened	6 in (15 cm) for appliances ≤ 10,000 Btuh (3 kW); 12 in (30 cm) for appliances > 10,000 Btuh (3 kW) and ≤ 100,000 Btuh (30 kW); 36 in (91 cm) for appliances > 100,000 Btuh (30 kW)	6 in (15 cm) for appliances ≤ 10,000 Btuh (3 kW); 9 in (23 cm) for appliances > 10,000 Btuh (3 kW) and ≤ 50,000 Btuh (15 kW); 12 in (30 cm) for appliances > 50,000 Btuh (15 kW)
C =	Clearance to permanently closed window	Per local installation codes	
D =	Vertical clearance to ventilated soffit located above the terminal within a horizontal distance of 2 ft (61 cm) from the center line of the terminal.		
E =	Clearance to unventilated soffit		
F =	Clearance to outside corner		
G =	Clearance to inside corner		
H =	Clearance to each side of center line extended above meter / regulator assembly	3 ft (91 cm) within a height of 15 ft (4.6m)	
I =	Clearance to service regulator vent outlet	3 ft (91 cm)	
J =	Clearance to nonmechanical air supply inlet to building or the combustion air inlet to any other appliance	6 in (15 cm) for appliances ≤ 10,000 Btuh (3kW); 12 in (30 cm) for appliances > 10,000 Btuh (3 kW) and ≤ 100,000 Btuh (30 kW); 36 in (91 cm) for appliances > 100,000 Btuh (30 kW)	6 in (15 cm) for appliances ≤ 10,000 Btuh (3kW); 9 in (23 cm) for appliances > 10,000 Btuh (3 kW) and ≤ 50,000 Btuh (15 kW); 12 in (30 cm) for appliances > 50,000 Btuh (15 kW)



**Figure A - Direct Vent Terminal Clearances - Concluded**

K =	Clearance to a mechanical air supply inlet	6 ft (1.83 m)	3 ft (91 cm) above if within 10 ft (3 m) horizontally
L =	Clearance above paved sidewalk or paved driveway located on public property	7 ft (2.13 m)†	Vents for Category II and IV appliances cannot be located above public walkways or other areas where condensate or vapor can cause a nuisance or hazard
M =	Clearance under veranda, porch, deck, or balcony	12 in (30 cm)‡	Per local installation codes
†	A vent shall not terminate directly above a sidewalk or paved driveway that is located between two single family dwellings and serves both dwellings.		
‡	Permitted only if veranda, porch, deck, or balcony is fully open on a minimum of two sides beneath the floor.		
<b>NOTES:</b>			
1)	In accordance with the current CSA B149.1, Natural Gas and Propane Installation Code		
2)	In accordance with the current ANSI Z223.1/NFPA 54, National Fuel Gas Code		
3)	If locally adopted installation codes specify clearances different than those illustrated, then the most stringent clearances must prevail.		

**Figure A - Other Than Direct Vent Terminal Clearances**

		<b>Canadian Installations<sup>1</sup></b>	<b>US Installations<sup>2</sup></b>
A =	Clearance above grade, veranda, porch, deck, or balcony	12 in (30 cm)	12 in (30 cm)
B =	Clearance to window or door that may be opened	6 in (15 cm) for appliances ≤ 10,000 Btuh (3 kW); 12 in (30 cm) for appliances > 10,000 Btuh (3 kW) and ≤ 100,000 Btuh (30 kW); 36 in (91 cm) for appliances > 100,000 Btuh (30 kW)	4 ft (1.2 m) below or to side of opening; 1 ft (300 mm) above opening
C =	Clearance to permanently closed window	<b>Per local installation codes</b>	
D =	Vertical clearance to ventilated soffit located above the terminal within a horizontal distance of 2 ft (61 cm) from the center line of the terminal		
E =	Clearance to unventilated soffit		
F =	Clearance to outside corner		
G =	Clearance to inside corner		
H =	Clearance to each side of center line extended above meter/regulator assembly		
I =	Clearance to service regulator vent outlet	3 ft (91 cm)	
J =	Clearance to nonmechanical air supply inlet to building or the combustion air inlet to any other appliance	6 in (15 cm) for appliances ≤ 10,000 Btuh (3kW); 12 in (30 cm) for appliances > 10,000 Btuh (3 kW) and ≤ 100,000 Btuh (30 kW); 36 in (91 cm) for appliances > 100,000 Btuh (30 kW)	4 ft (1.2 m) below or to side of opening; 1 ft (300 mm) above opening

**Figure A - Other Than Direct Vent Terminal Clearances - Concluded**

K =	Clearance to a mechanical air supply inlet	6 ft (1.83 m)	3 ft (91 cm) above if within 10 ft (3 m) horizontally
L =	Clearance above paved sidewalk or paved driveway located on public property	7 ft (2.13 m)†	Vents for Category II and IV appliances cannot be located above public walkways or other areas where condensate or vapor can cause a nuisance or hazard
M =	Clearance under veranda, porch, deck, or balcony	12 in (30 cm)‡	Per local installation codes

† A vent shall not terminate directly above a sidewalk or paved driveway that is located between two single family dwellings and serves both dwellings.

‡ Permitted only if veranda, porch, deck, or balcony is fully open on a minimum of two sides beneath the floor.

**NOTES:**

- 1) In accordance with the current CSA B149.1, Natural Gas and Propane Installation Code
- 2) In accordance with the current ANSI Z223.1/NFPA 54, National Fuel Gas Code
- 3) If locally adopted installation codes specify clearances different than those illustrated, then the most stringent clearances must prevail.

## OUTDOOR VENTING

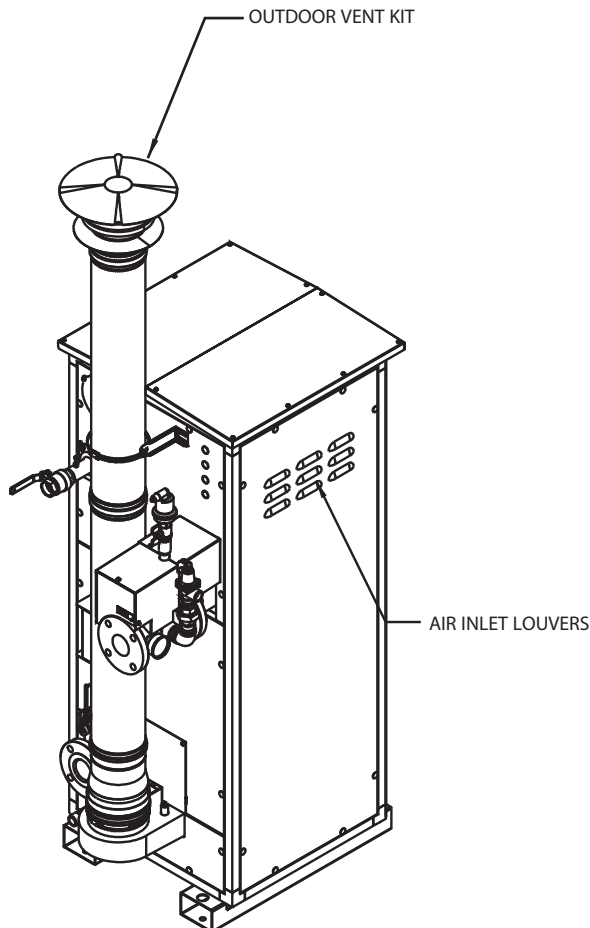
When installed outdoors the Encore Line must be fitted with the factory supplied outdoor hood, air intake adapter with filter and exhaust terminal, see Figure 11. Multiple units must be spaced per Figure 12.

The boiler/heater must be at least **2 ft, .62 m** from any door, window or gravity air inlet into any building and at least **3 ft, 1 m** from any overhang unless local codes dictate differently.

Avoid locations where wind deflection off of adjacent walls, buildings or shrubbery might cause a downdraft. The unit(s) should be located at least 3 ft, 1 m from structures. Outdoor installations are not recommended in areas where the danger of snow blockage exists.

**CAUTION** Do not place the boiler in a location that would subject it to runoff from adjacent buildings or damage may occur voiding the warranty!

Figure 11 - Outdoor Venting

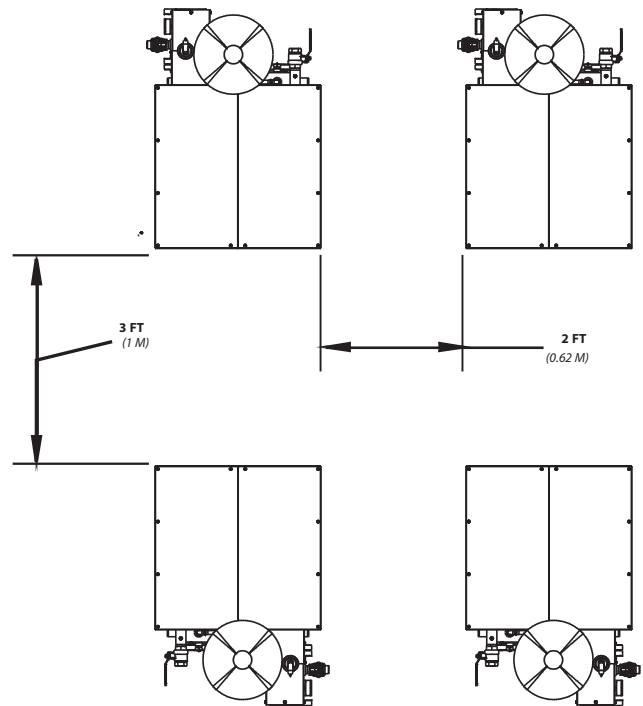


## Outdoor Installations

**WARNING** The Encore Boiler is certified for outside installations in a temperate climate not subject to freezing temperatures.

1. The condensate traps located under the secondary heat exchanger and the vent pipe must be wrapped with heat tape to ensure the traps never drop below 32°F.
2. The vent pipe must be insulated to prevent freezing of condensate in the pipe.
3. The boiler and system must be filled with a propylene glycol/water antifreeze mixture not to exceed 50% glycol by volume.
4. All water piping exposed to low temperatures must be insulated.

Figure 12 - Multiple Outdoor Units



## GENERAL PIPING REQUIREMENTS

**CAUTION** Improper piping of this boiler will void the manufacturer's warranty and can cause boiler failure resulting in flooding and extensive property damage!

**NOTICE** Shut off valves and unions should be installed at the inlet and outlet connections of the boiler to provide for isolation of the unit should servicing be necessary.

### Relief Valve

Pipe the discharge of the pressure relief valve (Figure 13) per the "Heating System Piping/General Piping Requirements Section.

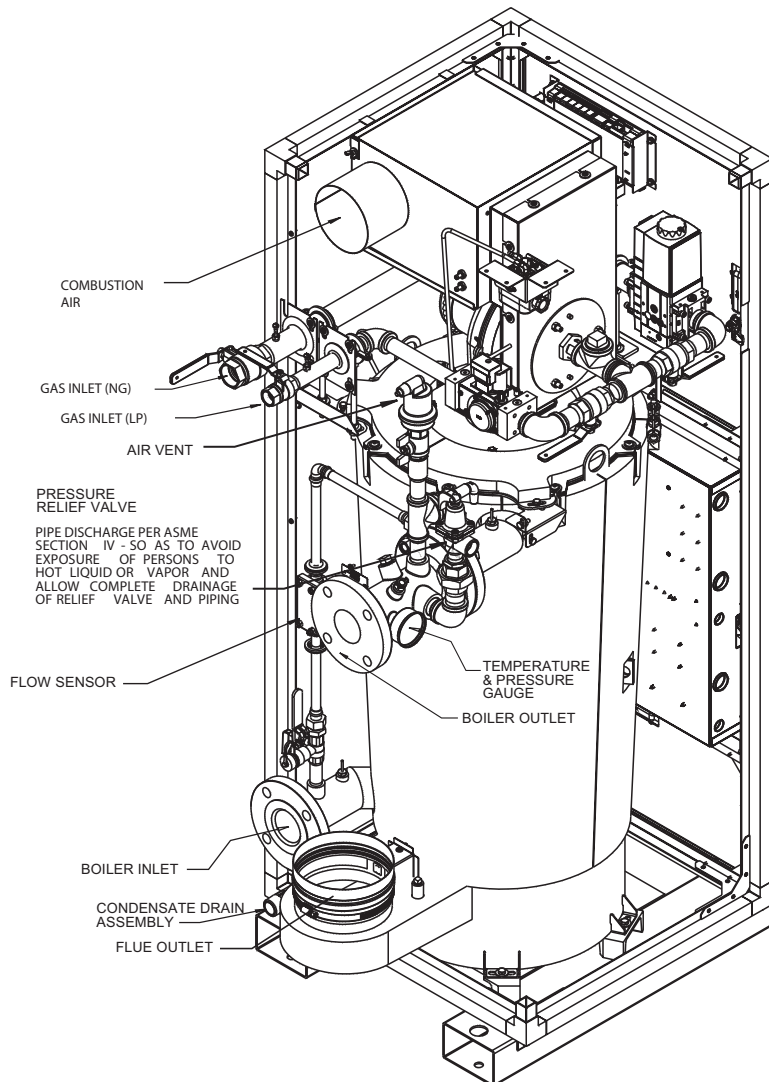
**CAUTION** Never install any type of valve between the boiler and the relief valve or an explosion causing extensive property damage, severe personal injury or death may occur!

### Freeze Protection

Installations in areas where the danger of freezing exists are not recommended unless proper freeze protection is provided. The following precautions **MUST** be observed:

1. A continuous flow of water through the unit **MUST** be maintained! The pump responsible for flow through the boiler must run continuously!
2. A propylene glycol/water mixture suitable for the minimum temperature that the unit will be exposed to must be used. The pump must be capable of producing a minimum of 15% more flow and overcoming a 20% increase in head loss. Domestic water systems must be isolated from the boiler by the use of a heat exchanger or other approved method.
3. If the unit must be shut off for any reason the electric, gas and water supplies **MUST** be shut off and the unit and its pump completely drained.

Figure 13 - Encore Firetube Piping



**Flow Sensor**

The factory mounted SIKA flow sensor, as shown in Figure 13, is wired to prevent the boiler from firing unless there's adequate water flow, Table 10, through the unit.

**NOTICE** The SIKA flow sensor sends information to the HeatNet control and displays the water flow information in (gpm). The minimum flow settings are fully adjustable. The boiler will not operate if the (gpm) falls below the minimum value. If the system is using Glycol the % of glycol mixture must be entered. The SIKA Flow sensor is limited to **194°F**, 90°C water temperature, 145 psi operating pressure and a 50% glycol mixture. If the return water temperature rises above **194°F**, 90°C the boiler will shut down. For applications outside these requirements, please consult Manufacturer. Reference the HeatNet IOM for menu instructions.

**Air Vent**

The factory mounted air vent, as shown in Figure 13, is installed to automatically purge unwanted air from the boiler allowing the system to run more effectively.

**NOTICE** Please note that after installing in a new system or retrofitting an old, close the isolation valve installed upstream of the Air Vent prior to filling the system with water. Once the system has been properly filled open the Air Vent isolation valve for automatic operation. If this is not done, it is entirely possible that the internal float mechanism will become clogged open, causing the air vent to leak.

**Table 10 - Min/Max Flow Rate Table**

Model Size	Water Flow Rates (GPM)	
	100%-Input	
	Min.	Max.
0350	13.7	45.6
0400	13.1	52.3
0500	16.3	65.4
0600	19.6	78.3
0725	23.6	94.4
0850	27.5	109.9

Verify system pipe sizing allows for flow velocity requirements.

**NOTICE** In order to maintain boiler capacity, increase flow rates approximately (10%) and pump head (25%) for mixtures up to 50% glycol.

**NOTICE** Use the following equation to determine the boiler derate capacity when adjustments aren't made. (2012 ASHRAE Systems Handbook)

$$qw = 500 * Q * (p/pw) * Cp * \Delta T$$

Where

qw = Total heat transfer rate, BTU/h    Q = flow rate, gpm  
 p = fluid density, lb/ft<sup>3</sup>    pw = density of water at 60°F, lb/ft<sup>3</sup>  
 Cp = specific heat of fluid, Btu/lb °F    ΔT = temperature difference, °F

**Table 11 - Temperature Rise Table**

Model	15 Deg f (Delta t)				20 Deg f (Delta t)			
	(gpm)		Drop (ft)		(gpm)		Drop (ft)	
	GPM	L/s	Ft	kPa	GPM	L/s	Ft	kPa
0350	45.6	2.9	4.1	12.2	34.2	2.2	3.3	9.9
0400	52.3	3.3	4.6	13.7	39.2	2.5	3.6	10.9
0500	65.4	4.1	5.8	17.2	49.0	3.1	4.3	12.9
0600	78.3	4.9	7.2	21.7	58.7	3.7	5.1	15.3
0725	94.4	6.0	6.6	19.8	70.8	4.5	5.0	14.8
0850	109.9	6.9	8.0	24.1	82.4	5.2	5.7	17.1
Model	30 Deg f (Delta t)				40 Deg f (Delta t)			
	(gpm)		Drop (ft)		(gpm)		Drop (ft)	
	GPM	L/s	Ft	kPa	GPM	L/s	Ft	kPa
0350	22.8	1.4	2.7	8.1	17.1	1.1	2.5	7.3
0400	26.1	1.6	2.9	8.6	19.6	1.2	2.6	7.7
0500	32.7	2.1	3.2	9.7	24.5	1.5	2.8	8.4
0600	39.1	2.5	3.6	10.8	29.4	1.9	3.1	9.1
0725	47.2	3.0	3.7	11.0	35.4	2.2	3.2	9.5
0850	54.9	3.5	4.1	12.1	41.2	2.6	3.4	10.2
Model	50 Deg f (Delta t)				60 Deg f (Delta t)			
	(gpm)		Drop (ft)		(gpm)		Drop (ft)	
	GPM	L/s	Ft	kPa	GPM	L/s	Ft	kPa
0350	13.7	0.9	2.3	6.9	N/A			
0400	15.7	1.0	2.4	7.2	13.1	0.8	2.3	6.8
0500	19.6	1.2	2.6	7.7	16.3	1.0	2.4	7.2
0600	23.5	1.5	2.7	8.2	19.6	1.2	2.6	7.8
0725	28.3	1.8	2.9	8.7	23.6	1.5	2.7	8.2
0850	33.0	2.1	3.1	9.2	27.5	1.7	2.9	8.6

Verify system pipe sizing allows for flow velocity requirements.

## HEATING SYSTEM PIPING

### General Piping Requirements

All heating system piping must be installed by a qualified technician in accordance with the latest revision of the ANSI/ASME Boiler and Pressure Vessel Code, Section IV.

Where required, the piping must comply with ANSI/ASME CSD-1, Standard for Controls and Safety Devices for Automatically Fired Boilers.

All applicable local codes and ordinances must also be followed. A minimum clearance of 1in, 25 mm must be maintained between heating system pipes and all combustible construction. All heating system piping must be supported by suitable hangers, not the boiler. The thermal expansion of the system must be considered when supporting the system. A minimum system pressure of **20 psig, 138 kPa** must be maintained at boiler operating conditions. For glycol systems, a minimum system pressure of **30 psig, 207 kPa** must be maintained at boiler operating conditions.

Notice: When equipped with a boiler pressure transducer, pressure will be monitored closely for increased protection. A warning and/or alarm will be detected when conditions fall below the following parameters:

Warning (boiler water) - pressure < 18 psi  
 Warning (boiler water/glycol mix) - pressure < 28 psi  
 Alarm - pressure < 15 psi

### Boiler Piping Connections

The supply and return connections should be sized to suit the system, see Table 12.

**Table 12- Supply & Return Pipe Connection**

Model Size	Supply Size	Return Size
0350	2" NPT	2" NPT
0400	2" NPT	2" NPT
0500	2" NPT	2" NPT
0600	2" NPT	2" NPT
0725	2.5" NPT	2.5" NPT
0850	2.5" NPT	2.5" NPT

**CAUTION System Cleaning & Flushing:** Prior to commissioning the boiler(s), the piping/ system must be cleaned and flushed to prevent contaminants from settling back into the boiler and fouling the heat exchanger.

Isolate the boiler from the system prior to the cleaning process. Fill the system with water, add the cleaning solution and follow the solution manufacturer's instructions. Once clean, refill the system with clean water as specified in the Water Treatment section.

### Water Treatment

This boiler was designed to operate in a closed loop heating system. System fill water must not contain more than 500 ppm of total dissolved solids, less than 150 ppm chloride concentration and no greater than 200 ppm hardness. Suspended solids such as Magnetite, Iron Oxides must be flushed from the system prior to commissioning the boiler(s). The PH level must be within the 6.5-8.5 range. Where required, the system must be protected by the addition of a corrosion inhibitor per the chemical supplier's instructions.

For systems requiring glycol for freeze protection use a glycol/water mix that prevents foaming. Air entrapped within foam significantly decreases heat transfer and can result in damage to the heat exchanger. Products such as DOWFROST, DOWTHERM, UCARTHERM or an equivalent product must be used to ensure proper protection to the boiler.

The water used for dilution of concentrated heat transfer fluids must be distilled, de-ionized, or equivalently clean as stated above. De-ionized water by itself can be aggressive towards many metals, but is perfectly safe when used for dilution of DOWFROST, DOWTHERM or UCARTHERM as specified by the manufacture.

### FAILURE TO ENSURE PROPER WATER QUALITY CAN RESULT IN DAMAGE TO THE BOILER(S) VOIDING THE WARRANTY.

### Water Meter

Make-up water introduced into a closed system due to system leaks can negatively affect the long term reliability of the heating system resulting in abnormal boiler water quality. It is recommended that a water meter be installed in the system make-up line. If make-up is recorded, the leaks must be found and repaired.

### Pump Requirements

This boiler requires a continuous minimum water flow for proper operation. The system pump must be sized to overcome the head loss of the boiler and the heating system in order to achieve the required temperature rise. Table 11 provides the heat exchanger pressure drop and temperature rise figures. If the system contains hydronic antifreeze this must be considered when sizing the pump. The temperature rise across the boiler must never exceed **60°F, 15.5°C**.

### Low Water Cutoff

Each boiler comes equipped with a factory installed low water cutoff.

**Expansion Tank & Air Separator**

An expansion tank or other means to control thermal expansion must be installed in the heating system. It is recommended the expansion tank is installed close to the suction side of the pump. Coalescing style air separators are strongly recommended in Variable Speed Systems where velocities can vary and maybe too slow for conventional type air separators. Failure to follow these guidelines will result in poor system performance with minimal air removal and may void the factory warranty.

**Reverse Return Piping (RECOMMENDED)**

Consideration of system thermal mass, minimum system load & system flow must be based on the relationship between the boiler minimum output and the system’s ability to absorb the energy. Insure at least a ten (10) minute boiler run cycle at minimum system load. Systems using multiple boilers can also be installed using a reverse return system, Figure 15.

**Primary/Secondary Piping**

Although acceptable, the system is not as cost effective as reverse return piping. Figure 16 shows a typical primary/secondary piping system. A dedicated pump is used to maintain a constant water flow through the boiler.

Flow must be properly accounted for in the design of primary/secondary systems. In order to prevent boiler(s) short cycling the system flow must be equal to or higher than the boiler(s) local flow. Systems using multiple boilers can be installed using a primary/secondary manifold system, Figure 17.

**Piping For Use with Cooling Units**

The boiler, when used in connection with a refrigeration system, must be installed so the chilled medium is piped in parallel with the boiler. Appropriate valves must be used to prevent the chilled water from entering the boiler.

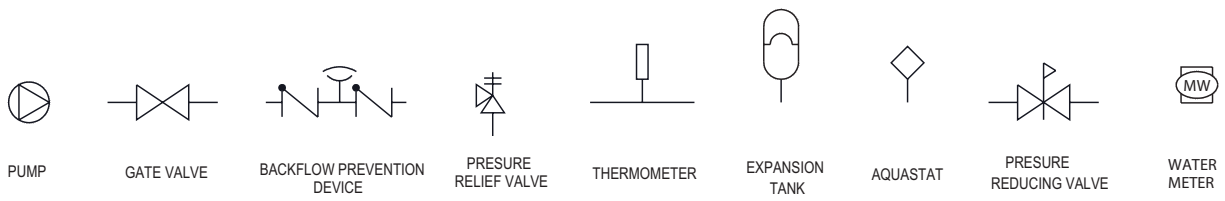
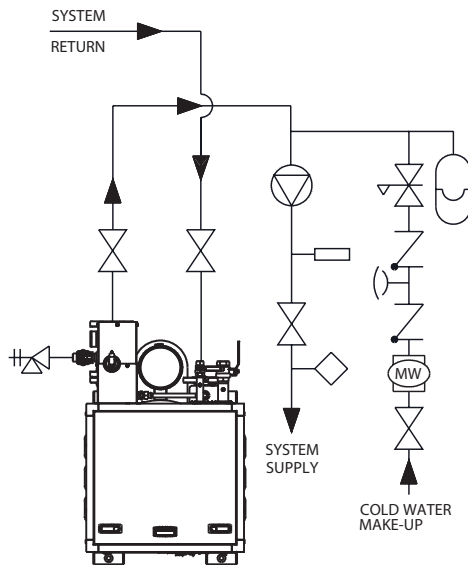
When a boiler is connected to a heating coil that may be exposed to refrigerated air from an air handling device, the piping system must be equipped with flow-control valves or some other automatic means of preventing gravity circulation of the boiler water during the cooling cycle.

**NOTICE**

It is essential that following boiler shut off, the boiler pump continue to operate for approximately (5) minutes to dissipate the heat away from the heat exchanger.

**Figure 14 - Typical Single Boiler Piping (RECOMMENDED)**

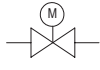
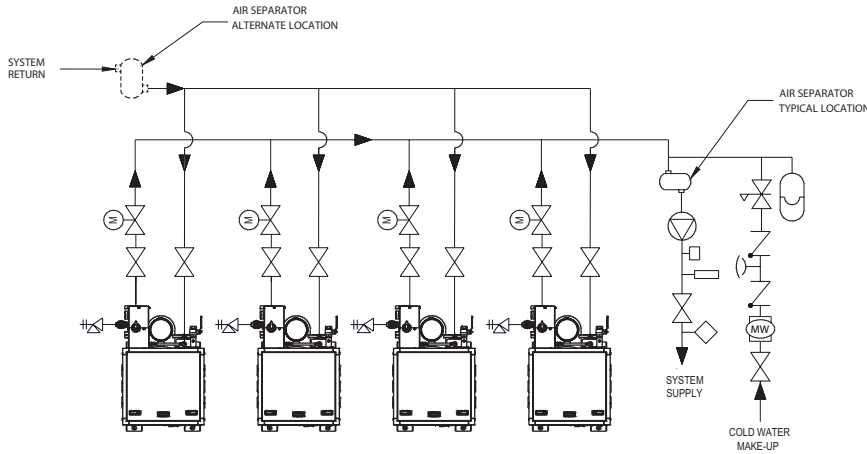
(Circulator pump *must* be sized for minimum water flow rate of boiler, including system pressure drop)





**Figure 15 - Typical Multiple Boiler Reverse Return Piping (RECOMMENDED)**

(Careful consideration as to minimum boiler and system water flow rates must be taken. Please consult our manufactures representative for assistance.)



Motorized Valve



Pump



Gate Valve



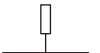
Check Valve



Backflow-Prevention Device



Pressure Relief Valve



Thermometer



Expansion Tank



Aquatstat



Pressure Reducing Valve



Tangential type air separator



Heat Net Sensor

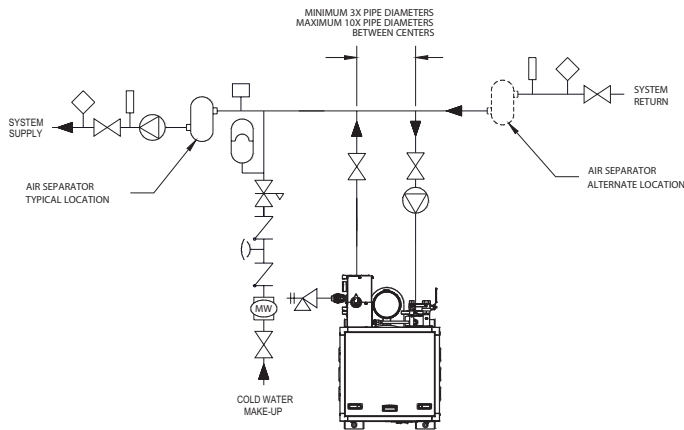
For Heat-net Operation, A Sensor Is Required And Installed At A Minimum Of 12" From Primary Loop Tee.



Water Meter

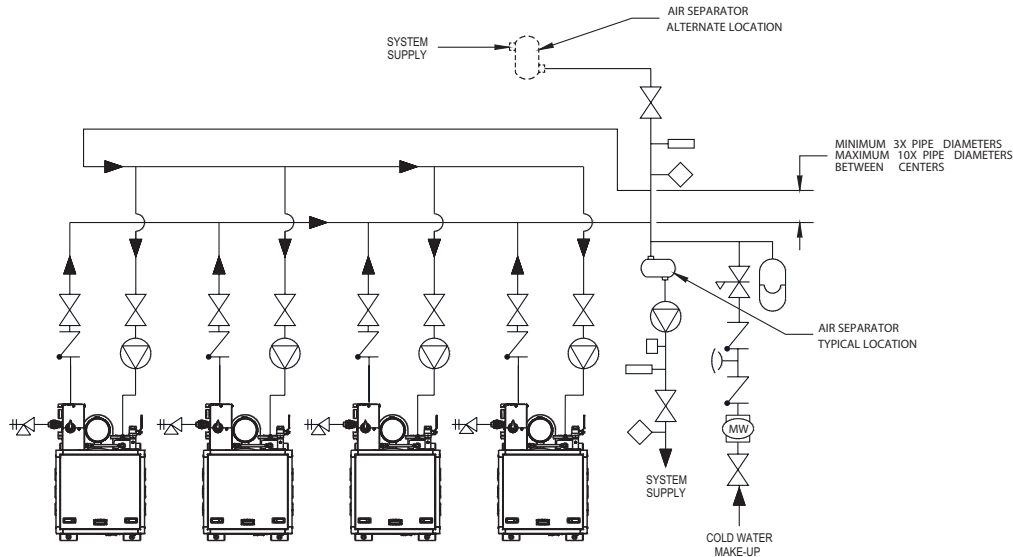
NOTE: Not all system valves may be shown. Consult local codes for additional system components which may be necessary. For HeatNet operation, a sensor is required and installed at a minimum of 12" from primary loop tee.

**Figure 16 - Typical Single Boiler Primary/Secondary Piping**



NOTE: Not all system valves may be shown. Consult local codes for additional system components which may be necessary. For HeatNet operation, a sensor is required and installed at a minimum of 12" from primary loop tee.

**Figure 17 - Typical Multiple Boiler Primary/Secondary Piping**



NOTE: Not all system valves may be shown. Consult local codes for additional system components which may be necessary. For HeatNet operation, a sensor is required and installed at a minimum of 12" from primary loop tee.

## DOMESTIC WATER SUPPLY PIPING

**CAUTION** Proper controls must be used to prevent water supplied for domestic use from exceeding **130°F, 54°C** or a scald injury will occur! When higher water temperatures are required for appliances such as a dishwasher, a mixing valve or some other tempering means must be installed. Households with small children may require water temperatures less than **120°F, 49°C**. Local codes must be complied with!

### General Piping Requirements

The Encore boiler can be use in combination with an indirect tank to provide hot water for domestic use. Piping and components must be suitable for use with potable water. The indirect storage tank must be equipped with a temperature and pressure relief valve that complies with ANSI Z21.22 or CAN-4.4 and CAN-4.6.

**NOTICE** The storage tank must be located as close to the boiler as possible to prevent excessive head loss which will reduce flow.

### Expansion Tank

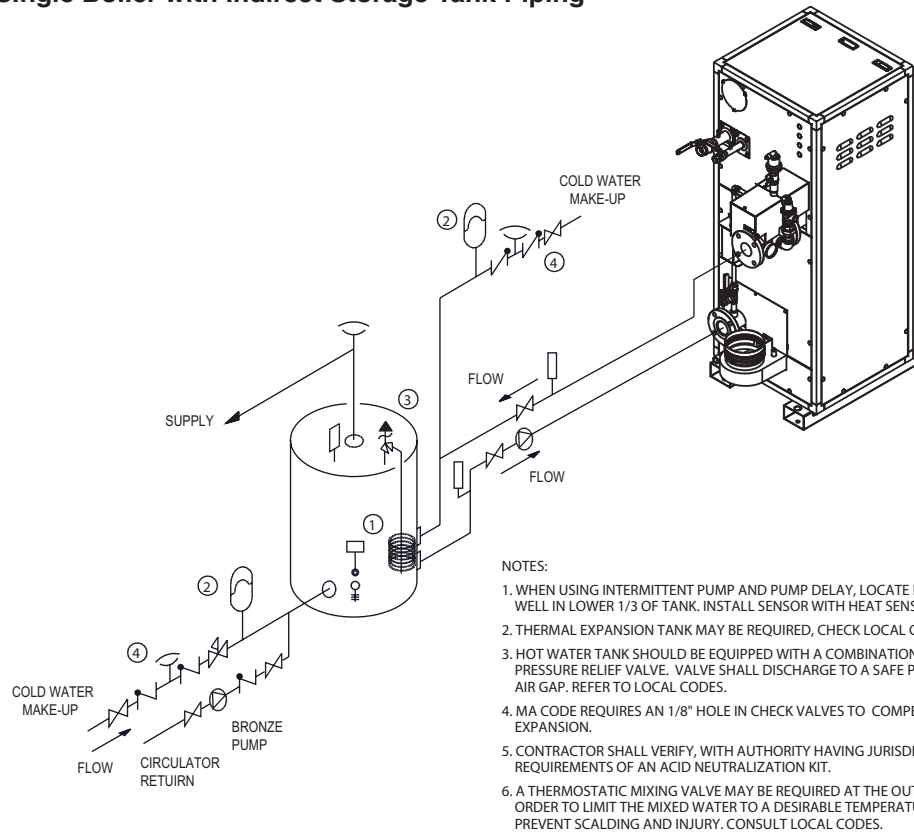
An expansion tank or other means to control thermal expansion must be installed in the water heating system if back flow prevention devices are installed

Two typical water heating systems are shown in Figures 18 & 19.

### Thermostatic Mixing Valve- Water Above 140°F, 60°C

Water can be stored a temperatures above **140°F, 60°C** provided that a thermostatically controlled mixing valve is used to temper the hot water to an acceptable temperature before it's supplied for domestic use. The mixing valve **MUST** be set to prevent a scald injury from occurring, see the caution against scalding above. Storage of water for domestic use above **140°F, 60°C** will provide an increased quantity of tempered water and help prevent the growth of water born bacteria.

Figure 18 - Typical Single Boiler with Indirect Storage Tank Piping



NOTICE: THESE DRAWINGS SHOW SUGGESTED PIPING CONFIGURATION, VALVING AND ARE DIAGRAMMATIC. CHECK WITH LOCAL CODES AND ORDINANCES FOR SPECIFIC REQUIREMENTS.



PUMP



GATE VALVE



CHECK VALVE



BACKFLOW PREVENTION DEVICE



TEMPERATURE & PRESSURE RELIEF VALVE



PRESURE RELIEF VALVE



VACUUM RELIEF VALVE



THERMOMETER

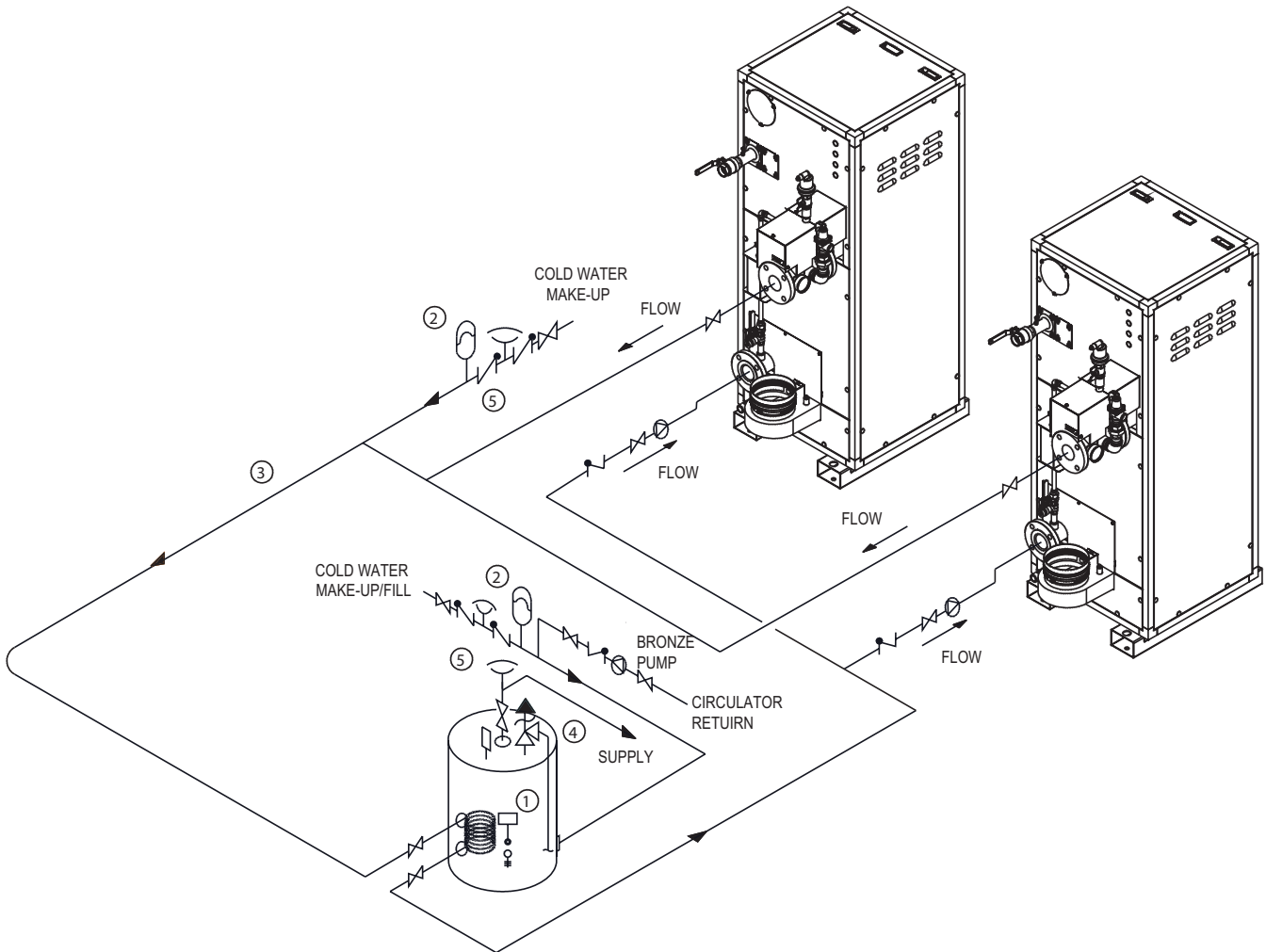


EXPANSION TANK



HEAT NET SENSOR

Figure 19 - Typical Multiple Boiler with Indirect Storage Tank Piping



NOTES:

1. WHEN USING INTERMITTENT PUMP AND PUMP DELAY, LOCATE HEAT NET SENSOR WITH WELL IN LOWER 1/3 OF TANK. INSTALL SENSOR WITH HEAT SENSING COMPOUND.
2. THERMAL EXPANSION TANK MAY BE REQUIRED, CHECK LOCAL CODES.
3. COMMON PIPING MUST BE SIZED FOR MAXIMUM COMBINED HEATER FLOW.
4. HOT WATER TANK SHOULD BE EQUIPPED WITH A COMBINATION TEMPERATURE & PRESSURE RELIEF VALVE. VALVE SHALL DISCHARGE TO A SAFE PLACE WITH AN AIR GAP. REFER TO LOCAL CODES.
5. MA CODE REQUIRES AN 1/8" HOLE IN CHECK VALVES TO COMPENSATE FOR THERMAL EXPANSION.
6. CONTRACTOR SHALL VERIFY, WITH AUTHORITY HAVING JURISDICTION, FOR THE REQUIREMENTS OF AN ACID NEUTRALIZATION KIT.
7. A THERMOSTATIC MIXING VALVE MAY BE REQUIRED AT THE OUTLET OF THE TANK IN ORDER TO LIMIT THE MIXED WATER TO A DESIRABLE TEMPERATURE HELPING TO PREVENT SCALDING AND INJURY. CONSULT LOCAL CODES.

NOTICE: THESE DRAWINGS SHOW SUGGESTED PIPING CONFIGURATION, VALVING AND ARE DIAGRAMMATIC. CHECK WITH LOCAL CODES AND ORDINANCES FOR SPECIFIC REQUIREMENTS.



## CONDENSATE PIPING

The condensate trap provided with the boiler must be attached to the bottom pan and piped to a suitable floor drain (consult local code) or condensate pump. If a condensate neutralization device is required by local code, it must be positioned prior to boiler room drain. Fill the condensate trap with water, check and maintain water level in trap during operation prior to start-up.

## GAS SUPPLY PIPING

**WARNING** Check the boiler rating plate to make sure that the boiler is for the type of gas that will be used. If it isn't, do not connect the boiler to the gas supply. Failure to comply with this warning can result in extensive property damage, severe personal injury or death!

The Encore comes from the factory ready to be piped to the gas supply. If for any reason the boiler is not for the type of gas available at the installation site, call your RBI representative to resolve the problem.

Do not size the gas supply line nominal iron pipe size based only on the boiler gas inlet connection size. The gas supply line (feed) to the boiler gas inlet connection must be designed per an engineered method and utilizing (Table 13) to ensure that the gas supply piping is sized properly. Do not neglect the pressure drop due to pipe fittings. (Table 13) should be used in conjunction with (Table 14) to ensure that the gas supply piping has the capacity to meet the demand. If more than one appliance is supplied by the same supply pipe, the piping must be sized based on the maximum possible demand.

Figure 20 - Encore Series Condensate Drain

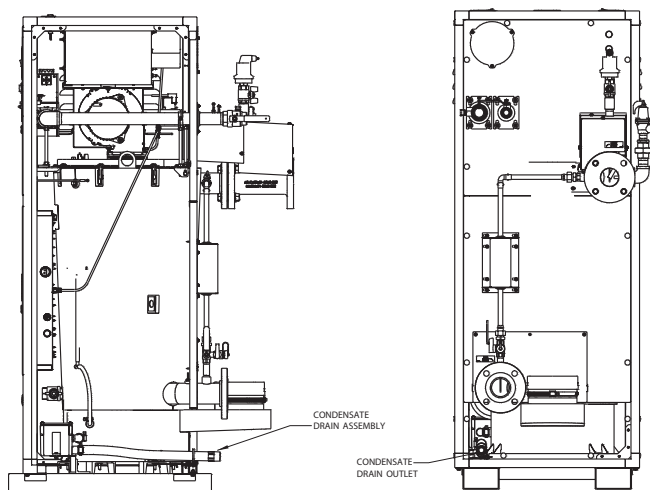


Figure 21 depicts the proper way to connect the boiler to the gas supply piping. The manual shut-off valve **MUST** be installed in the supply piping. It should be installed **5 ft, 1 m** above the floor where required by local codes. Provide a sediment trap at the bottom of the vertical section of the gas supply pipe upstream of the gas controls.

A ground joint union should be installed between the boiler gas controls and the supply piping. Each of these items are needed to ensure long life and ease of servicing. Always use a pipe sealant that is suitable for use with the type of gas (NG/LP) being used.

Table 13 - Gas Pipe Capacity

Maximum pipe capacity in ft <sup>3</sup> /hr based on 0.60 specific gravity gas at a pressure of 0.5 psig or less and a 0.3" WC pressure drop.									
Nominal Iron Pipe Size	Pipe length in feet								
	10	20	30	40	50	60	80	100	150
Maximum gas volume of pipe (ft <sup>3</sup> /hr)									
1"	520	350	285	245	215	195	170	150	120
1 1/4"	1050	730	590	500	440	400	350	305	250
1 1/2"	1600	1100	890	760	670	610	530	460	380
2"	3050	2100	1650	1450	1270	1150	990	870	710

Note: Multiply the gas volume by 0.62 for propane flow capacity in ft<sup>3</sup>/hr. Multiply the propane flow capacity by 2500 Btu/ft<sup>3</sup> to determine the propane Btu/hr capacity for a given pipe size and length.

Table 14 - Equivalent Pipe Length Chart

Nominal Iron Pipe Size	Type of pipe fitting			
	90° Elbow	Tee <sup>1</sup>	Gas Valve <sup>2</sup>	Gas Cock <sup>2</sup>
Equivalent pipe length, (ft)				
1"	2.6	5.2	0.6	1.5
1 1/4"	3.5	6.9	0.8	1.9
1 1/2"	4.0	8.0	0.9	2.3
2"	5.2	10.3	1.2	3.0

Notes: 1. For flow through branch.  
2. For flow at full open.

**NOTICE** A lockup style regulator, supplied by others, must be installed, see Figure 21, if gas pressure exceeds (14 in WC). The regulator, when installed as shown, must be installed at a distance of at least 10 pipe diameters from the boiler main gas valve. All boilers are calibrated and factory test fired at (7 in ± 1.0) WC.

**NOTICE** A minimum of (4 in WC) and maximum of (14 in WC) must be maintained to the inlet of the boiler gas train not to exceed a maximum of (1 in WC) drop when firing from minimum input to full load of the gas supply line and all the appliances running.

**CAUTION** Always use a wrench on the gas valve body when making gas connections to it. Never over-tighten the piping entering the gas valve body or gas valve failure may result!

**CAUTION** Gas train must be isolated when purging the gas line prior to commissioning the boiler.

**NOTICE** Corrosion of the gas train components with debris and cutting oils can reduce reliable operation which can have a negative effect on the operation & manufacturers warranty of the Dungs gas valve. The factory supplied Dungs MBC modulation gas valve, see Figure 21, incorporates an internal filter that must be inspected and changed at required intervals. Reference the Dungs MBC Installation Instructions - 264541 for detailed instructions. Combined with clean gas pipes and good plumbing practices (such as installing a drip leg), should adequately protect the MBC valve seat, regulator and internal orifices from clogging or damage. However, site conditions might warrant an additional filter. This should be installed upstream of the appliance gas regulator to the unit.

**WARNING** Never use an open flame to test for gas leaks. Always use an approved leak detection method. Failure to comply with this warning can cause extensive property damage, severe personal injury or death!

Whenever the gas supply piping is pressure tested the boiler gas controls must be protected. If the test pressure is equal to, or less than 1/2 psig, 3.5 kPa isolate the boiler by closing its' manual shut off valve, see Figure 21. If the test pressure is greater than, or equal to 1/2 psig, 3.5 kPa, disconnect the boiler and its individual shut-off valve.

Safe lighting and other performance criteria were met with the gas manifold and control assembly provided on the boiler. All gas connections **MUST** be leak tested before putting the boiler into operation.

## ELECTRICAL WIRING

### Electrical Power Connections

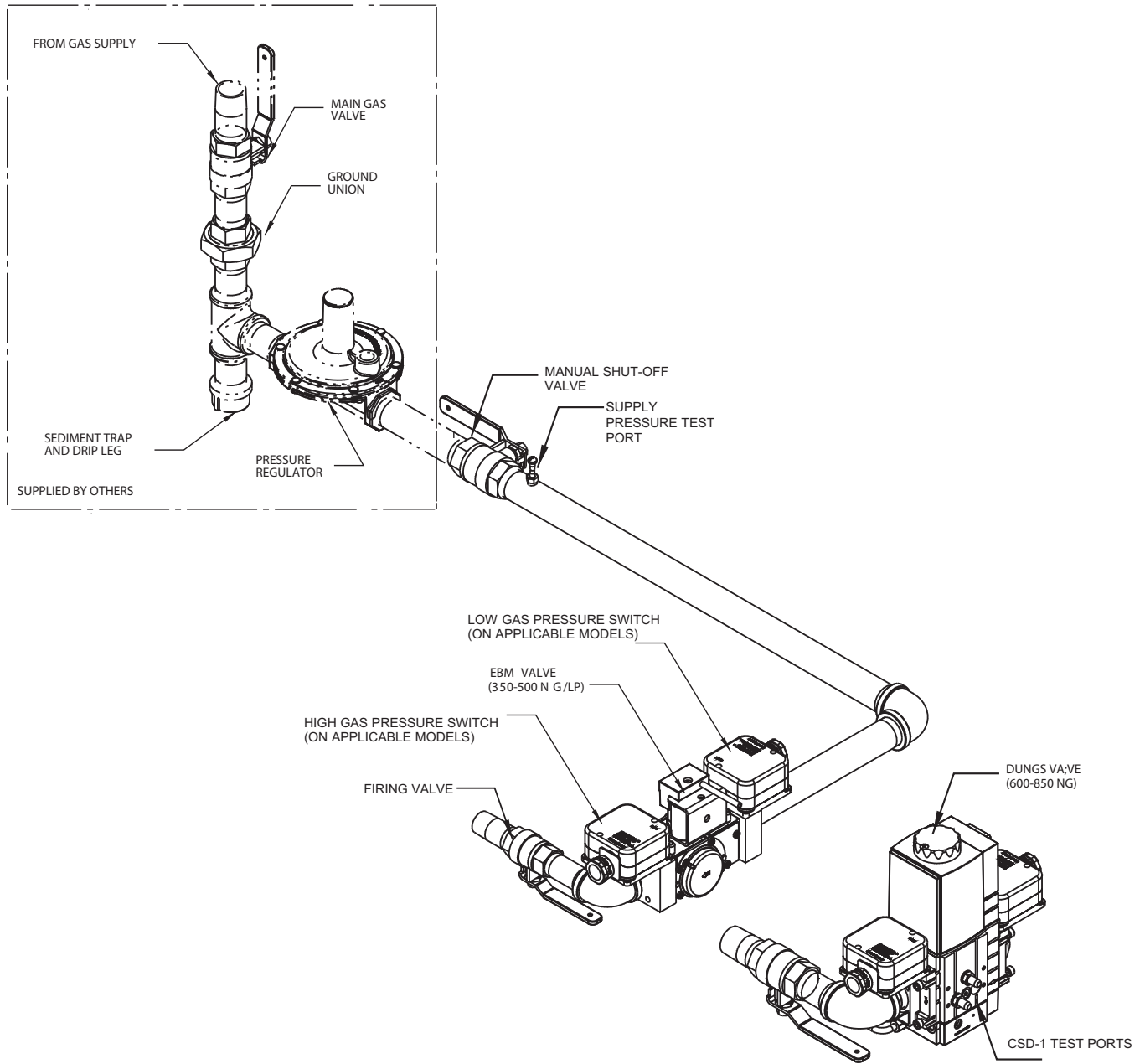
**CAUTION** Label all wires prior to disconnection when servicing controls. Wiring errors can cause improper and dangerous operation! Verify proper operation after servicing.

**ATTENTION.** Au moment de l'entretien des commandes, étiquetez tous les fils avant de les débrancher. Des erreurs de câblage peuvent entraîner un fonctionnement inadéquat et dangereux. S'assurer que l'appareil fonctionne adéquatement une fois l'entretien terminé.

The electrical connections to this boiler must be made in accordance with all applicable local codes and the latest revision of the National Electrical Code, ANSI / NFPA-70. Installation should also conform with CSA C22.1 Canadian Electrical Code Part I if installed in Canada. A separate circuit breaker must be installed per boiler - (if required, the optional local pump FLA must be incorporated and sized accordingly). A properly rated shut-off switch should be located at the boiler. The boiler must be grounded in accordance with the authority having jurisdiction, or if none, the latest revision of the National Electrical Code, ANSI/ NFPA-70.

Refer to the wiring diagram supplied with the boiler for proper wiring connections and boiler full load amperage (FLA).

Figure 21 - Gas Supply Piping





## BOILER OPERATION

**WARNING** Before proceeding read and fully understand the instructions contained in this manual. Do not attempt to operate this boiler if it has not been installed in accordance with the guidelines set forth in this manual. Failure to comply with this warning can result in extensive property damage, severe personal injury or death!

Should overheating occur or the gas supply fail to shut off, turn off the manual gas control valve to the appliance. **Do Not interrupt water flow through the boiler.**

En cas de surchauffe ou si l'alimentation en gaz ne s'arrête pas, fermez manuellement le robinet d'arrêt de l'admission de gaz.

### Hydronic Heating Boilers (Fill System)

Open the make-up water valve and slowly fill the boiler and all of the radiation with water. Ensure that all bleed and drain valves are closed.

Adjust the make-up water pressure regulator so a minimum **5 psig, 82.7 kPa** system pressure is maintained at the highest point in the system piping. A minimum system pressure of **20 psig, 138 kPa** must be maintained at boiler operating conditions. A minimum system pressure of **30 psig, 207 kPa** fill pressure is required, at boiler operating conditions, on glycol mixtures within a closed loop.

Open the system bleed and drain valves, one at a time, to purge the air trapped in the heating system piping.

With the boiler off, run the system pump for at least 30 minutes and bleed the system piping using the bleed valves. If strainers are used in the system piping the make-up water valve should be closed and the strainers checked and cleaned.

The system expansion tank should be checked to ensure that tank air pressure equals cold static fill pressure.

Start the boiler as described in the OPERATING INSTRUCTIONS below. Run the boiler for at least an hour. The system pump(s) and all radiation units must be operated during this time. Ensure that the make-up water valve is open.

Shut the boiler off and open the bleed valves to purge the air trapped in the heating system piping. Close the make-up water valve and check and clean the strainers and make-up water pressure reducing valve.

Open the make-up water valve and adjust the system pressure if necessary.

The system should be checked and bled after three days of operation.

## OPERATING INSTRUCTIONS

**FOR YOUR SAFETY READ BEFORE OPERATING. ONLY QUALIFIED LICENSED SERVICE TECHNICIANS SHALL START, TROUBLESHOOT, AND SERVICE THIS APPLIANCE WITH APPROVED COMBUSTION ANALYZER.**

**POUR VOTRE SÉCURITÉ LISEZ AVANT DE METTRE EN MARCHÉ**

A. This appliance is equipped with an ignition device which automatically lights the pilot. Do not try to light the pilot by hand.

Cet appareil est muni d'un dispositif d'allumage qui allume automatiquement la veilleuse. Ne tentez pas d'allumer la veilleuse manuellement.

B. BEFORE OPERATING smell all around the appliance area for gas. Be sure to smell next to the floor because some gas is heavier than air and will settle on the floor.

### WHAT TO DO IF YOU SMELL GAS

- Do not try to light any appliance.
- Do not touch any electric switch; do not use any phone in your building.
- Immediately call your gas supplier from a phone outside of the building. Follow the gas suppliers instructions.
- If you cannot reach your gas supplier, call the fire department.

AVANT DE FAIRE FONCTIONNER, reniflez tout autour de l'appareil pour déceler une odeur de gaz. Reniflez près du plancher, car certains gaz sont plus lourds que l'air et peuvent s'accumuler au niveau du sol.

### QUE FAIRE SI VOUS SENTEZ UNE ODEUR DE GAZ:

- Ne pas tenter d'allumer d'appareil.
- Ne touchez à aucun interrupteur; ne pas vous servir des téléphones se trouvant dans le bâtiment.
- Appelez immédiatement votre fournisseur de gaz depuis un voisin. Suivez les instructions du fournisseur.
- Si vous ne pouvez rejoindre le fournisseur, appelez le service de incendies.

C. Do not use this appliance if any part has been under water. Immediately call a qualified service technician to inspect the appliance and to replace any part of the control system and any gas control that has been under water.

N'utilisez pas cet appareil s'il a été plongé dans l'eau, même partiellement. Faites inspecter l'appareil par un technicien qualifié et remplacez toute partie du système de contrôle et toute commande qui ont été plongés dans l'eau.

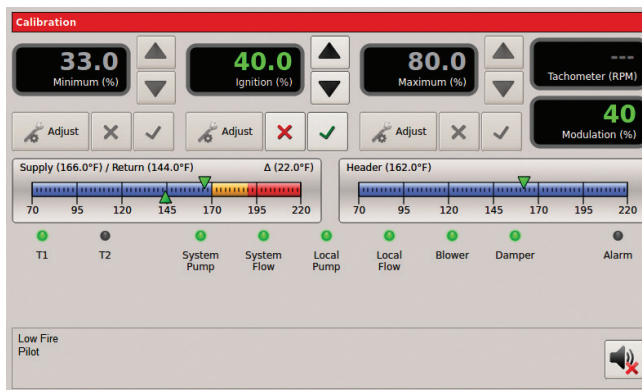


**Operating Instructions**

1. STOP! Read the safety information above. If, at any time, the appliance will not operate properly, follow the instructions "TO TURN OFF GAS TO APPLIANCE" and call your service technician or gas supplier.
2. Set the operating control to off and disable any outside (BMS) call for heat.
3. Turn off all electric power to the appliance.
4. Remove the front cover.
5. Close manual main shut-off valves 1 and 2, Figure 21.
6. Purge the gas piping up to the manual valve ahead of the main gas control of air. When the bleeding is complete, check all gas joints up to the gas valve for leaks.
7. Wait five (5) minutes to clear out any gas.
8. Install a fitting at the supply test port and connect a manometer having a minimum range of **20 in, 508 mm WC** to it, Figure 21. Connect both sides of a manometer or pressure gauge to the manometer pressure taps (differential pressure barbed connections) located inside the upper control panel, Figure 22 & 27.
9. See the "Gas Supply Piping" section for the required static and run gas pressure.
10. Open the manual main shut-off valves 1 and 2, Figure 21. Follow the same procedure for multiple gas train configurations (Dual Fuel).
11. Place the "Remote/Local" switch to Remote.
12. Turn the power switch on the front of the boiler to "on". It will light up when the power is on. If all interlocks are properly closed, the display will say "Standby", Figure 22.
13. Slide the HeatNet controls low fire switch (on the HeatNet control board) to the low fire position.
14. The boiler will begin the start sequence.

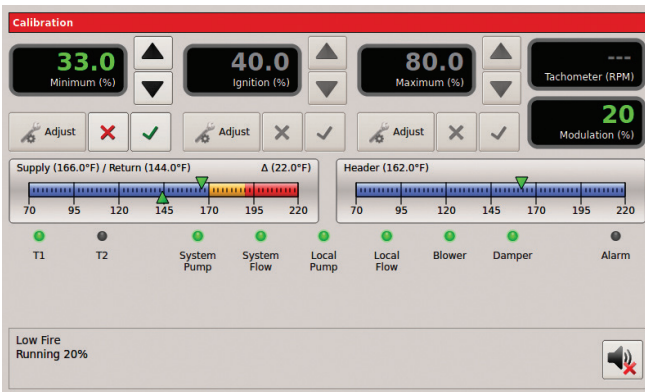
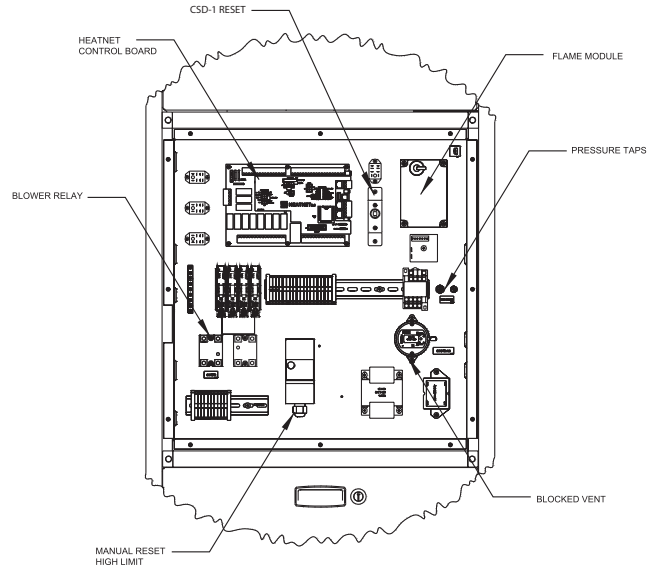
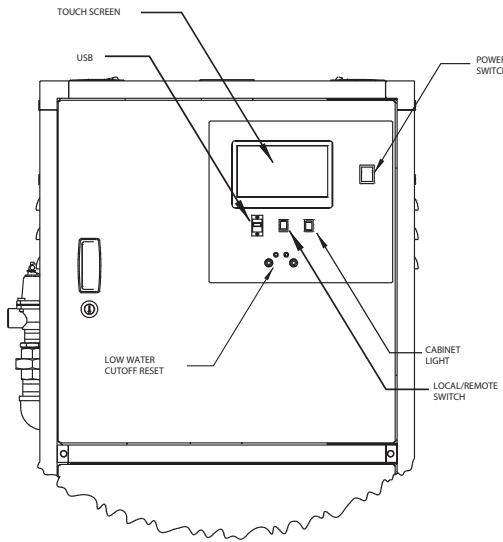
15. When the main display reads "MAIN IGNITION", the burner will light at the "Ignition (%)" shown on the display. In the event the boiler doesn't light the burner will recycle 3 times prior to an ignition lockout. For CSD-1 models, the burner will lockout after one failed ignition try. Non CSD-1 models will require a power cycle to reset the Fenwal control. CSD-1 models utilize a ignition lockout reset switch, Figure 22.
16. To adjust the IGNITION value as shown in the display, place the 'S2' Calibration switch located on the 3.0 HeatNet board to the 'CAL' position. A reload message will be displayed then the calibrate screen. Press the 'Adjust' button under the Ignition (%) setting. The percentage value will turn green and the boiler will ramp to the ignition setting. Set the blower speed - RPM, (Table 16), using the arrow keys, to provide the desired rate for ignition. When the adjustment is satisfactory, press the check key to save the setting.

**NOTICE** The Calibration (Min % & Max %) represents the mapped signal sent to the blower and doesn't reflect the (modulation %) as indicated on the HeatNet Screen.



17. Adjusting the Min % and the Low Fire Combustion values: The boiler will cycle and achieve low fire status. Allow low fire to settle out for a few minutes and observe the combustion reading.
  - a. Verify the 'S2' - Calibration switch located on the 3.0 HeatNet board is in the 'CAL' position.

Figure 22 - Control Panel Components

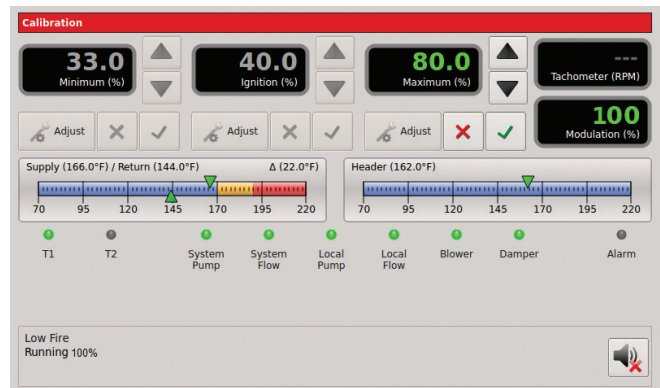


- b. Press the 'Adjust' button under the Minimum (%) setting. The percentage value will turn green. Adjust the minimum value (%), using the arrow keys, to achieve the required combustion - CO<sub>2</sub>/O<sub>2</sub>, (Table 15), and pressure - delta p/blower speed - RPM, (Table 16), at low fire based on the desired turn down.
- c. (MODELS (0600-0850), DUNGS MBC Valve: Adjust low fire O<sub>2</sub>-CO<sub>2</sub> by opening the low fire adjustment door located on the forward facing side of the main gas valve, (Figure 21 & 25). Inserting an allen wrench and rotating the allen screw counter clock-wise will increase the CO<sub>2</sub> and lower the O<sub>2</sub>; rotating clock-wise will decrease the CO<sub>2</sub> and increase the O<sub>2</sub>.

e. When the adjustment is satisfactory, press the check key to save the setting.

18. Setting the Max % and High Fire Combustion values: Remove the demand from the Fenwal control by disabling the low fire switch allowing the boiler to stop.

- a. Verify the 'S2'- Calibration switch located on the 3.0 HeatNet board is in the 'CAL' position. While in Standby (no call for heat on inputs), the Max % percentage may be preset, before firing the boiler. Press the 'Adjust' button under the Maximum (%) setting and set this value to a lower input value (50%). This will allow for manual input control during the high fire set up process (18b.). When the adjustment is satisfactory press the check key to save the setting.



- d. (MODELS (0350-0500), EBM Valve: See Figure 25 for the location of the gas valve low fire adjustment. Use a 2 mm hex wrench. When adjusting the low fire setting, make changes in half turn increments. Allow the flame to stabilize before adjusting each time. If CO<sub>2</sub> is too HIGH (O<sub>2</sub> too low), reduce gas by turning the adjustment COUNTERCLOCKWISE (one half turn at a time).

- b. Using the low fire switch on the HeatNet board create a minimum input demand. The boiler will cycle to low fire position. Press the 'Adjust' button under the Maximum (%) setting. Boiler input will modulate to the previously set (50% input. The percentage value will turn green indicating that it can be changed. Adjust the maximum value (%), using the arrow keys, to achieve the required combustion – CO<sub>2</sub>/O<sub>2</sub> (Table 15), and pressure - delta p/blower speed - RPM, (Table 16).

- c. MODELS (0600-0850), DUNGS MBC Valve:  
The high fire trim adjustment is located on the outlet flange, (Figure 21), of the gas valve. Figure 25 provides further illustration of the gas valve high fire location. Rotating the adjustment screw clock-wise will increase the CO<sub>2</sub> and lower the O<sub>2</sub>; rotating counter clock-wise will decrease the CO<sub>2</sub> and increase the O<sub>2</sub>. Continue to step e.
  
- d. MODELS (0350-0500), EBM Valve: See Figure 25 for the location of the gas valve high fire adjustment. Adjust gas input with a throttle screw adjustment using a long shank common bit screwdriver. When adjusting the high fire setting, make changes in half turn increments. Allow the flame to stabilize before adjusting each time. If CO<sub>2</sub> is too HIGH (O<sub>2</sub> too low), reduce gas by turning the adjustment CLOCKWISE (one half turn at a time). Recheck the analyzer and flame after each half turn. If CO<sub>2</sub> is too LOW (O<sub>2</sub> too high), increase gas by turning the adjustment COUNTERCLOCKWISE (one half turn at a time). Recheck the analyzer and flame after each half turn.
  
- e. When the adjustment is satisfactory press the check key to save the setting. When complete, place the 'S2' switch back to the 'NORM' position.
  
- f. Allow the boiler to settle into min input and observe combustion and pressure-delta p readings to ensure the boiler is operating correctly. Make any required adjustments. When complete disable the low fire hold switch.
  
- g. Follow the instructions in the HeatNet Control manual to allow adjustments required for high altitude installations.

## SEQUENCE OF OPERATION

### NO DEMAND

#### Standby

1. The boiler is idle with no interlocks in the fault condition.

### DEMAND

#### Pre-Purge

1. The blower operates at purge RPM. The water flow interlock must 'make' within 15 seconds after the demand signal is initiated.
2. The HeatNet Control starts a 10 second purge delay once the air prove switch contacts close.

#### Main Run % Input

1. The main gas valve opens.
2. The ignition transformer is de-energized after 6 seconds of ignition.
3. The blower stays at the minimum input setting for 3 seconds then operates at demand % input. See the calibration section in the "Encore Series Control-IOM" to enter the calibration menus.

### NO DEMAND

#### Post-Purge

1. The main gas valve closes.
2. The blower operates at purge RPM for 10 seconds.
3. The boiler is idle with no interlocks in the fault condition.

## CHECKING, ADJUSTMENT & OPERATION

### Spark Gap

The gap has to be measured and adjusted with the igniter removed from the boiler. Observe the trial for ignition to confirm that the spark is strong and continuous. If not, allow the electrodes to cool. Check and adjust the spark gap as shown in Figure 24. Electrode tips should face slightly downward.

### Measure flame current

1. With the boiler operating at **low fire**, measure the flame current.
2. Attach microammeter leads to the flame current test pins of the Fenwal ignition module as in Figure 23.
3. The flame current should be approximately 6 microamps, and never less than 1 microamp.
4. If flame current is too low, check the ignition electrode/ flame rod assembly following the instructions in the Checking, Adjustment & Operation section of this manual.

Figure 23 - Fenwal Ignition Module

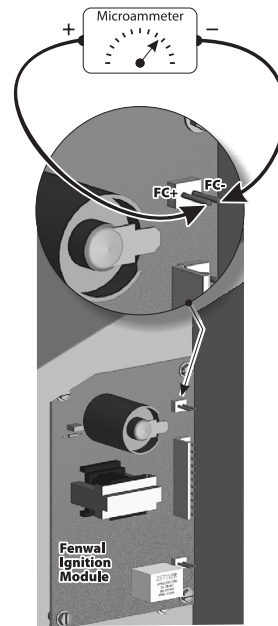


Figure 24 - Spark Gap

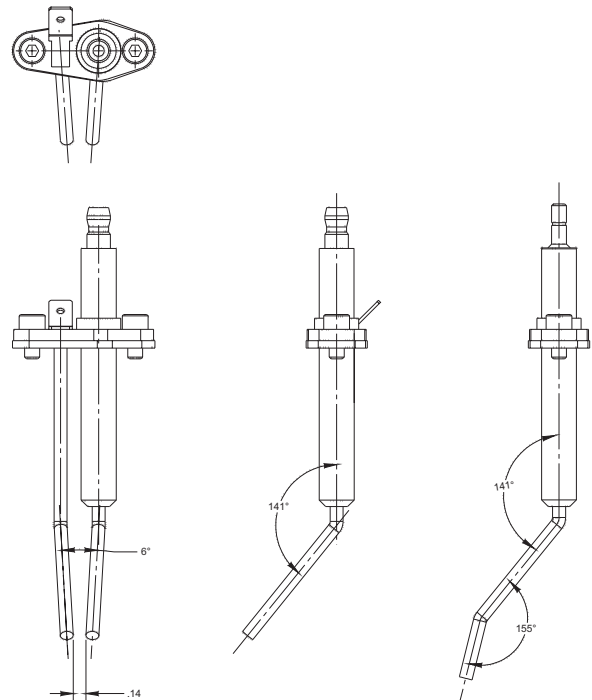
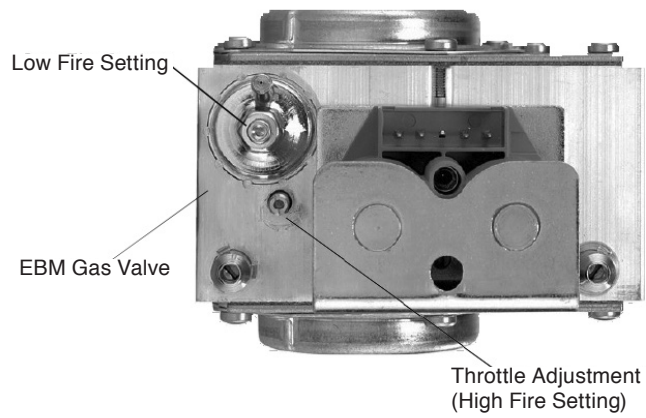
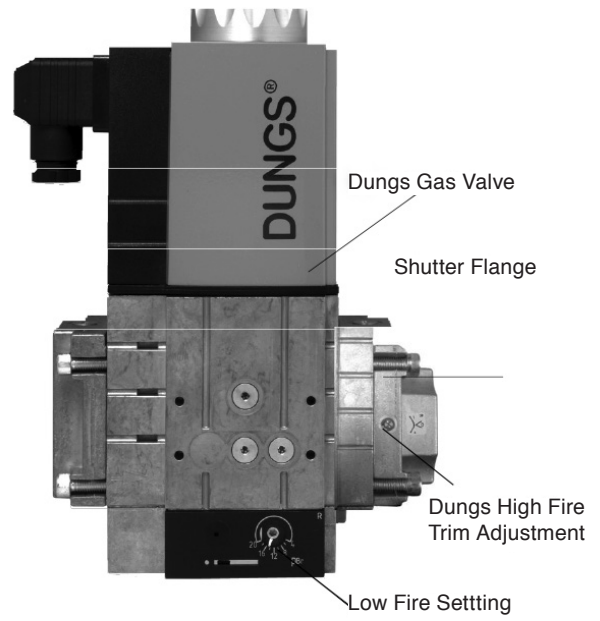


Figure 25 - Gas Adjustments

Models (0350 - 0500) NG & (0350 - 0850) LP



Models (0600 - 0850) NG



## Encore Stainless Steel Condensing Boilers – Installation Manual

**Table 15 - Combustion Settings**

<b>Encore Series Whirlwind</b>						
Inlet Air Temp.	CO <sub>2</sub> %				O <sub>2</sub> %	
	NG		LPG		Low Fire	High Fire
	Low Fire	High Fire	Low Fire	High Fire		
-40°F	7.2	8.0	8.4	9.4	8.3	6.9
-30°F	7.3	8.1	8.5	9.5	8.1	6.7
-20°F	7.4	8.2	8.7	9.6	7.9	6.5
-10°F	7.5	8.3	8.8	9.7	7.8	6.4
0°F	7.6	8.4	8.9	9.8	7.6	6.2
10°F	7.7	8.5	9.0	9.9	7.4	6.1
20°F	7.8	8.6	9.2	10.1	7.2	5.9
30°F	7.9	8.7	9.3	10.2	7.1	5.7
40°F	8.0	8.8	9.4	10.3	6.9	5.5
50°F	8.1	8.9	9.5	10.5	6.7	5.3
60°F	8.2	9.0	9.6	10.6	6.5	5.2
70°F	8.3	9.1	9.7	10.7	6.4	5.0
80°F	8.4	9.2	9.8	10.8	6.2	4.8
90°F	8.5	9.3	9.9	10.9	6.1	4.7
100°F	8.6	9.4	10.1	11.0	5.9	4.5

Due to job conditions, deviation from specified may be required – allow ± (0.2)% range adjustment.

Note: When units are installed with direct sealed combustion air, during periods of time with low outdoor temperature, it is possible for the room air to condense and possibly form frost on the air handling components of the boiler. Refer to: (2015 ASHRAE Cold-Climate Buildings Design Guide).

**Table 16 - Input Parameters (High Fire)**

Firing Rate	0350				0400				0500				0600				0725				0850			
	(Delta P - W.C.)		Blower (RPM)		(Delta P - W.C.)		Blower (RPM)		(Delta P - W.C.)		Blower (RPM)		(Delta P - W.C.)		Blower (RPM)		(Delta P - W.C.)		Blower (RPM)		(Delta P - W.C.)		Blower (RPM)	
Fuel	NG	LP	NG	LP	NG	LP	NG	LP	NG	LP	NG	LP	NG	LP	NG	LP	NG	LP	NG	LP	NG	LP	NG	LP
100%	5.50	5.40	9200	9000	7.30	7.10	10600	10270	5.90	5.90	10050	9930	4.90	4.70	9700	9365	4.80	4.90	9570	9520	5.20	5.20	9000	8800

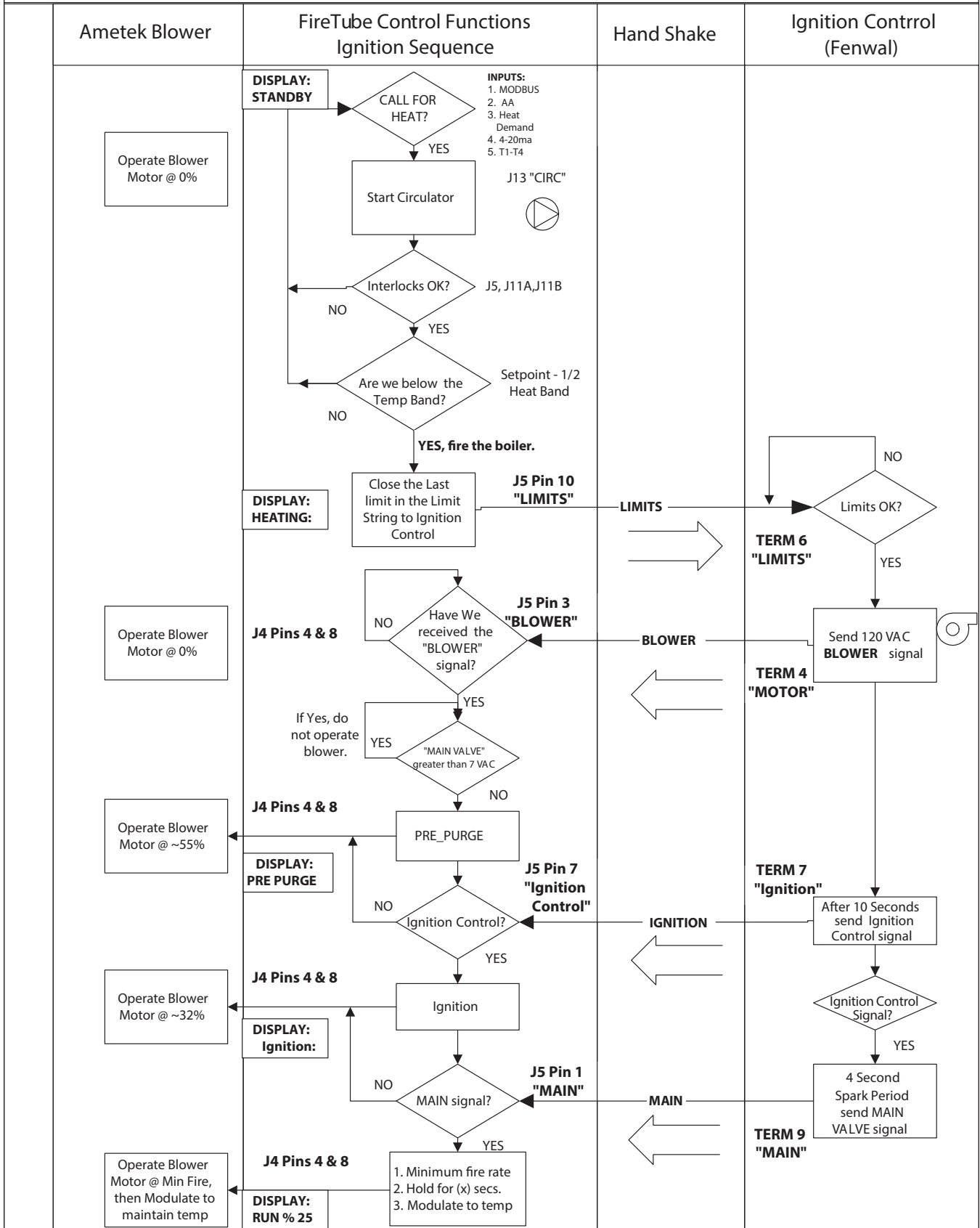
Input Parameters (Low Fire)

Firing Rate	0350				0400				0500				0600				0725				0850			
	(Delta P - W.C.)		Blower (RPM)		(Delta P - W.C.)		Blower (RPM)		(Delta P - W.C.)		Blower (RPM)		(Delta P - W.C.)		Blower (RPM)		(Delta P - W.C.)		Blower (RPM)		(Delta P - W.C.)		Blower (RPM)	
Fuel	NG	LP	NG	LP	NG	LP	NG	LP	NG	LP	NG	LP	NG	LP	NG	LP	NG	LP	NG	LP	NG	LP	NG	LP
Ignition	0.77	0.77	3500	3500	0.77	0.77	3500	3500	0.73	0.73	3500	3500	0.62	0.62	3400	3400	0.64	0.64	3450	3450	0.73	0.73	3375	3375
6:1	0.25	0.25	2000	2010	0.26	0.24	2000	2010	0.22	0.22	1900	1860	0.23	0.23	2000	1980	0.22	0.20	1890	1895	0.23	0.20	1815	1710
7:1	0.16	0.16	1800	1800	0.22	0.20	1800	1800	0.18	0.16	1725	1650	0.19	0.21	1790	1775	0.19	0.17	1710	1710	0.19	0.18	1610	1565
8:1	0.14	0.14	1600	1585	0.16	0.16	1600	1585	0.15	0.12	1550	1435	0.14	0.15	1580	1570	0.14	0.14	1530	1525	0.14	0.15	1400	1425
9:1	0.12	N/A	1300	N/A	0.14	N/A	1450	N/A	0.13	N/A	1400	N/A	0.13	N/A	1465	N/A	0.13	N/A	1440	N/A	0.13	N/A	1300	N/A
10:1	N/A	N/A	N/A	N/A	0.12	N/A	1300	N/A	0.12	N/A	1240	N/A	0.12	N/A	1350	N/A	0.12	N/A	1350	N/A	0.12	N/A	1200	N/A

At full input, use RPM as the primary guideline with delta-p as reference as readings may vary up to (0.5" w.c.) below the indicated value. Low fire delta-p must not be less than the indicated turndown value.

To determine signal in mm WC, multiply signal pressure by 25.4. See Factory Combustion label for Dual Fuel combustion data.

Encore Series "HeatNet Control" Troubleshooting (Firing the Encore Boiler)





### Ignition Safety

To test the ignition safety shutoff device, close the manual shutoff valve 1 (Figure 21) in the gas supply line. Within 5 seconds of main burner flame extinction, the main gas valve solenoid should close. The control board will lockout and display “LOW GAS PRESSURE”. Open the manual shutoff valve in the gas supply line and reset the control board by toggling the power switch.

To confirm the input of the unit follow the instructions in the INPUT RATE section below.

### Input Rate, Natural Gas

1. Turn off all other gas appliances that use the same gas meter as the boiler.
2. Call your gas supplier and ask for the heating value of the gas (Btu per cu/ft).
3. Start the boiler and let it run for 15 minutes.
4. With the boiler operation clock the time that it takes to burn 10 cu/ft of gas at full fire
5. Insert the heating value and the time, in seconds, into the formula below.
6.  $\text{Input} = 10 / \text{seconds (Btu per cu/ft)}(3600)$ .
7. If the computed rate exceeds the desired input follow section “operating instructions” to make the appropriate adjustments.

**CAUTION** Never increase the input to the boiler above that for which it is rated. Doing so can cause premature failure of the boiler!

### Low Water Cutoff

Ensure that the low water cutoff device(s) function properly.

Test in accordance with the manufacturer’s instructions included with the device(s).

## DIAGNOSTICS

The Encore has a display that indicates the sequence of operation, Figure 22. The display will also list faults should the unit fail to operate. An explanation of each fault is listed below.

**STANDBY:** Indicates that power is being supplied to the unit and there is no call for heat.

**STANDBY OPERATING LIMIT:** Indicates that the operating limit if used is open.

**Fenwal “flashing”:** Indicates that there is a call for heat and the Fenwal is locked out.

**STANDBY START DEMAND:** Indicates that there is a call for heat and the Fenwal is not functioning or is locked out.

**STANDBY WATER LIMIT:** Indicates that either the high limit, low water cut off, or both are open without a call for heat.

**LOCKOUT WATER LIMIT:** Indicates that either the high limit, low water cut off, or both are open with a call for heat.

**STANDBY GAS PRESSURE:** Indicates that the low gas pressure switch or the high gas pressure switch if used is open without a call for heat.

**LOCKOUT GAS PRESSURE:** Indicates that the low gas pressure switch or the high gas pressure switch if used is open with a call for heat.

**WAITING FOR FLOW:** Indicates that minimum flow hasn't been achieved.

**FAULT INSUFFICIENT FLOW:** Indicates that inadequate flow is present.

**LWCO LOCKOUT:** Indicates low or no water in the boiler.

## MAINTENANCE

**WARNING** Disconnect electrical power and close the manual gas shut off valve before performing maintenance or severe personal injury may result!

**CAUTION** Servicing, inspection and adjustment must be done by a trained technician in accordance with all applicable local and national codes. Improper servicing or adjustment can damage the boiler!

The boiler must be inspected at least once a year and before each heating season. Make sure that combustion readings and air box pressures are taken on each boiler and match the desired emissions outlined under the specification in the Installation Manual — adjust as necessary. Accessing the burner compartment isn't necessary during normal maintenance unless combustion values or air box pressures don't meet specification.

**CAUTION** Improper burner servicing can result in premature burner failure voiding the warranty!

### Burner Removal & Inspection

**WARNING** Wear a tightly fitted dust mask when servicing the burner and gently handle the burner and its gasket to prevent inhalation of airborne fibers.

**NOTICE** Do not attempt to remove the burner without having a burner gasket kit on hand.

### Heat Exchanger Cleaning

In the unlikely event that the heat exchanger becomes blocked consult the factory for the proper cleaning procedure.

### Air Intake & Vent System

Thoroughly inspect the air intake and vent systems for any signs of blockage, corrosion or leakage and periodically clean screen in the vent terminal (where applicable). Immediately replace any unsound vent system piping. Inspect the air filter and replace when required.

### Controls

Use the BOILER OPERATION and CHECKING AND ADJUSTMENT sections of this manual for reference.

1. Check the operating controls for proper operation.
2. The probe on a probe low water cut off must be removed, cleaned and inspected at least once a year. Ensure that the low water cutoffs operate properly. If not, replace them.

3. The flow sensor isolation valves must be open in order for proper operation.

**NOTICE** In the unlikely event that the SIKA flow sensor requires cleaning, in order to flush the flow sensor, close the ball valve installed upstream of the flow sensor, connect a hose to the drain fitting provided and open the drain valve. Drain approximately a gallon of water to properly flush the flow sensor. The drain is then closed and the upstream valve reopened.

4. The relief valve should not weep or discharge water at normal system pressure - this may be due to thermal expansion in a closed water supply system. If it does contact a qualified service technician to have it inspected. NEVER plug or try to clean or repair the relief valve! If the valve fails to operate properly, have it replaced!

5. The aquastat high limit controls the maximum water temperature in the boiler. It is adjustable from **100°F, 38°C** to **210°F, 99°C**. If the water temperature reaches the set temperature before the demand for heat has been met, the aquastat high limit should shut the boiler off. The water temperature should never exceed the maximum set point of **210°F, 99°C**. The aquastat high limit cannot be repaired. If it fails to function properly replace it.

6. Visually check the main burner flames to ensure proper operation, see Figure 26.

**WARNING** Visual flame appearance with proper combustion will have a red and blue striped appearance at low fire and flecked areas of red with a majority of blue across the metal mesh burner at high fire. Areas of deep red indicate an infrared condition requiring a combustion adjustment to reduce CO<sub>2</sub> levels.

Figure 26 - Main Burner Flame

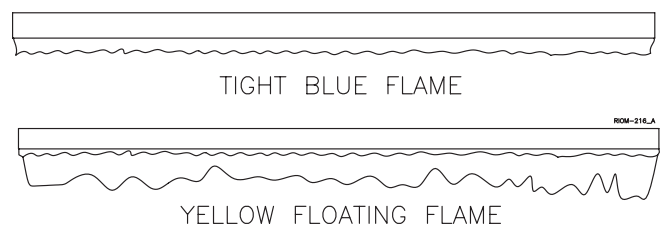


Figure 27 - Pressure Switches

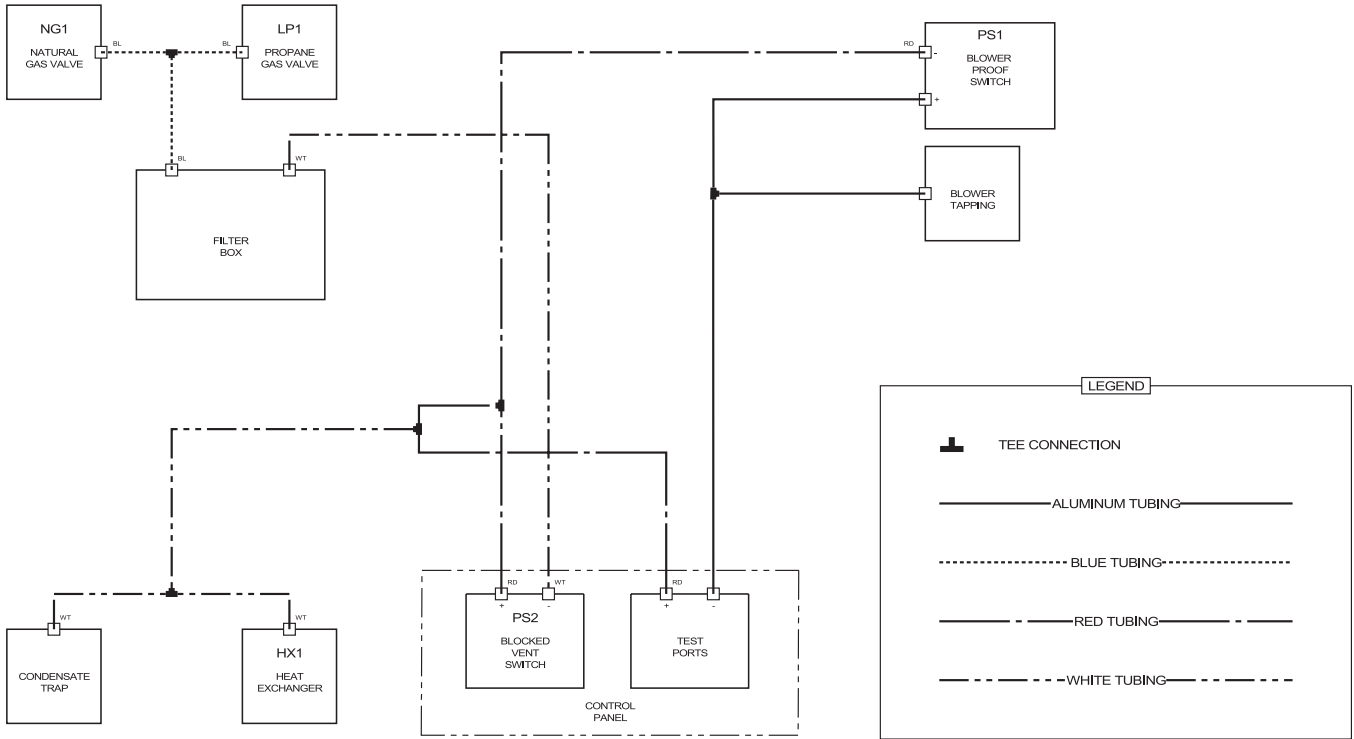
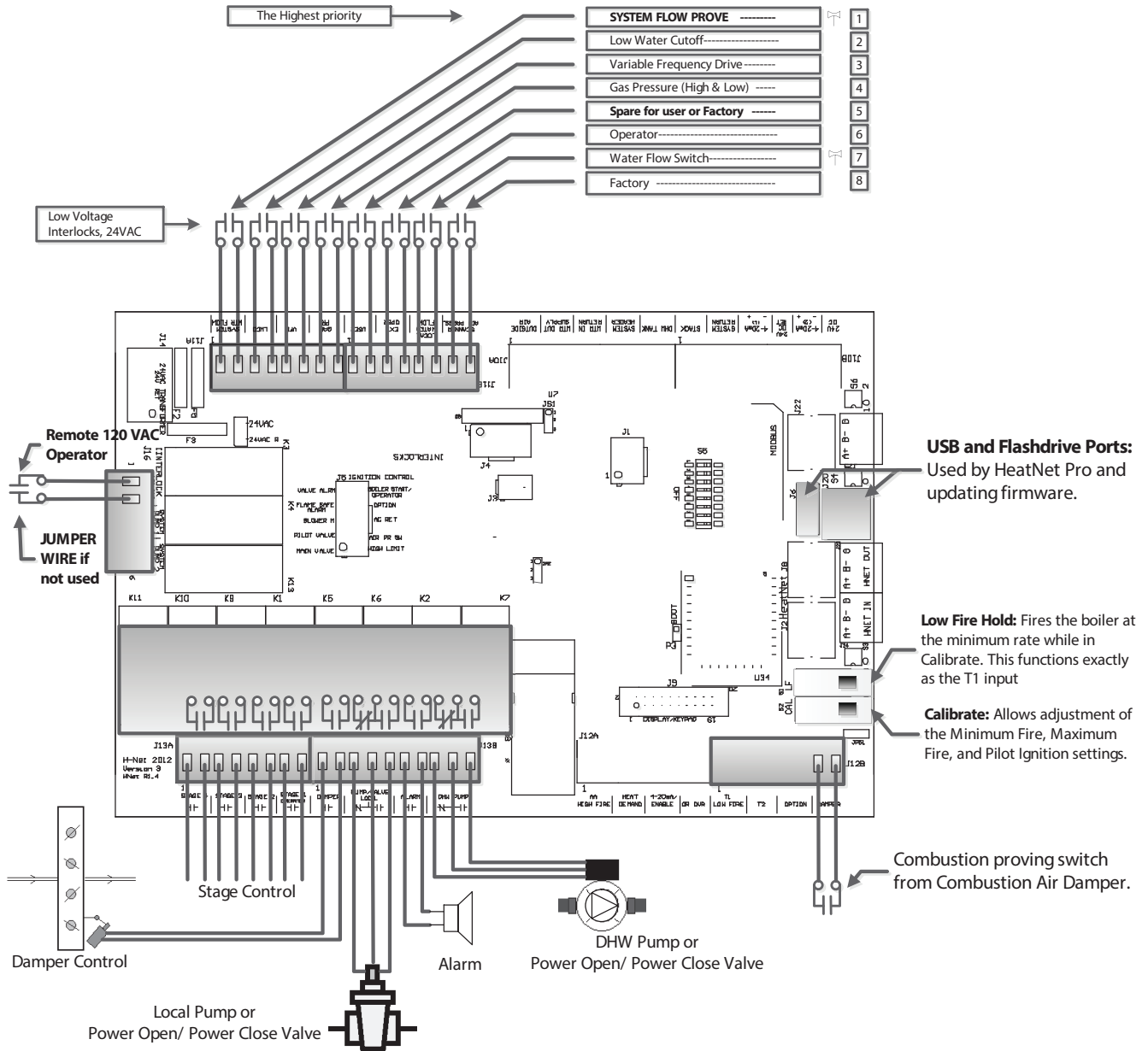
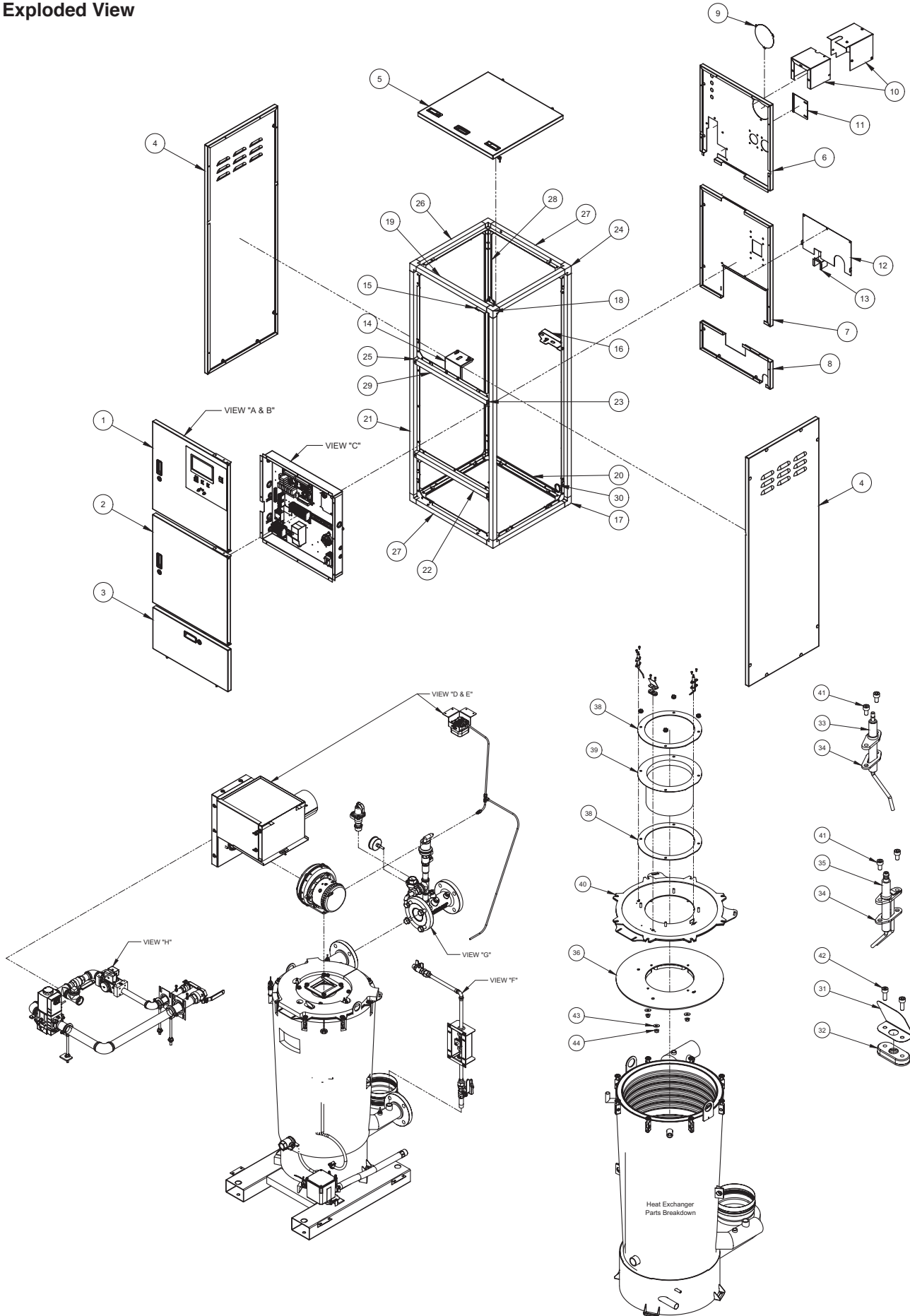


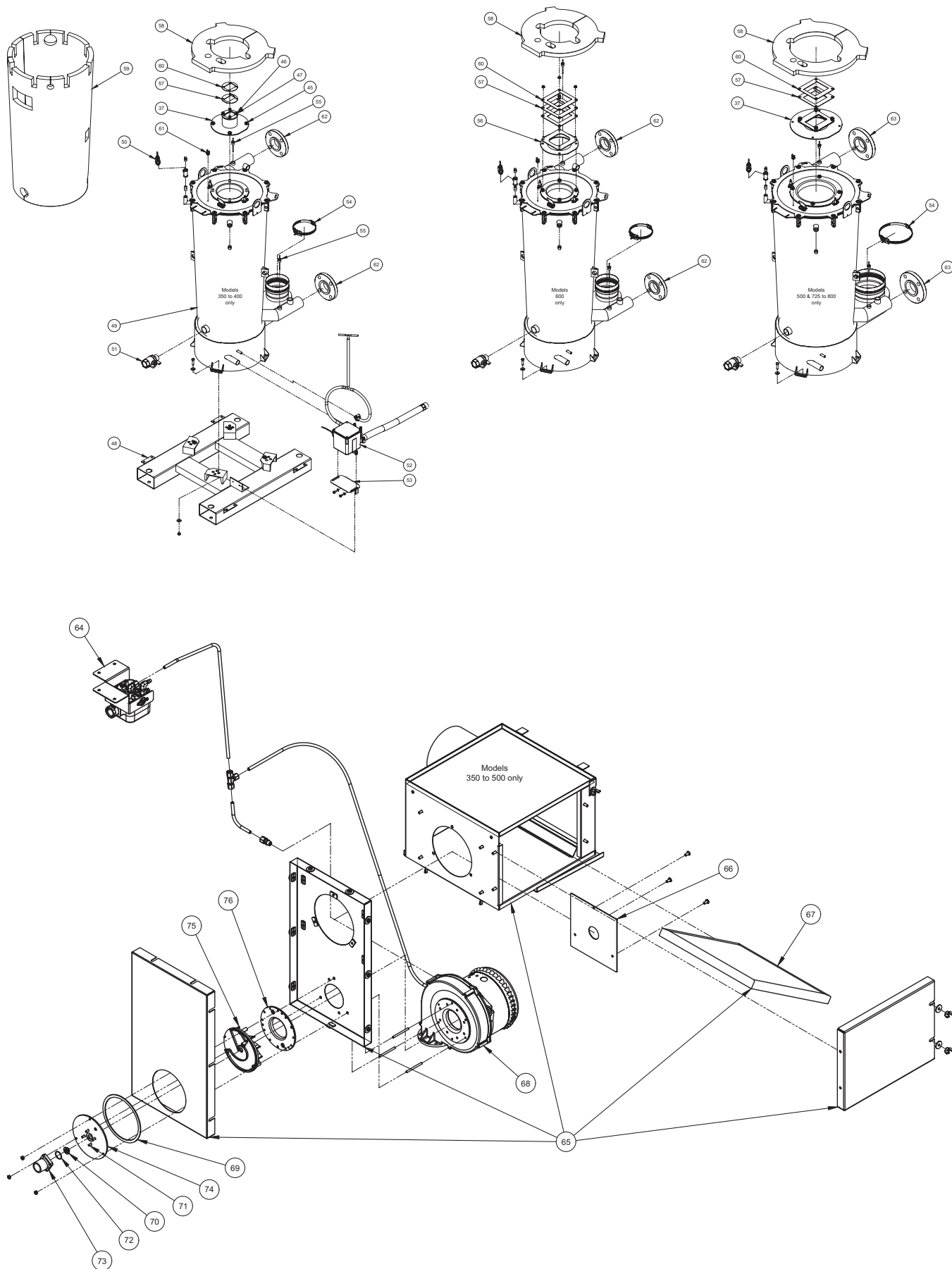
Figure 28 - Relays, Interlocks and Boiler Status



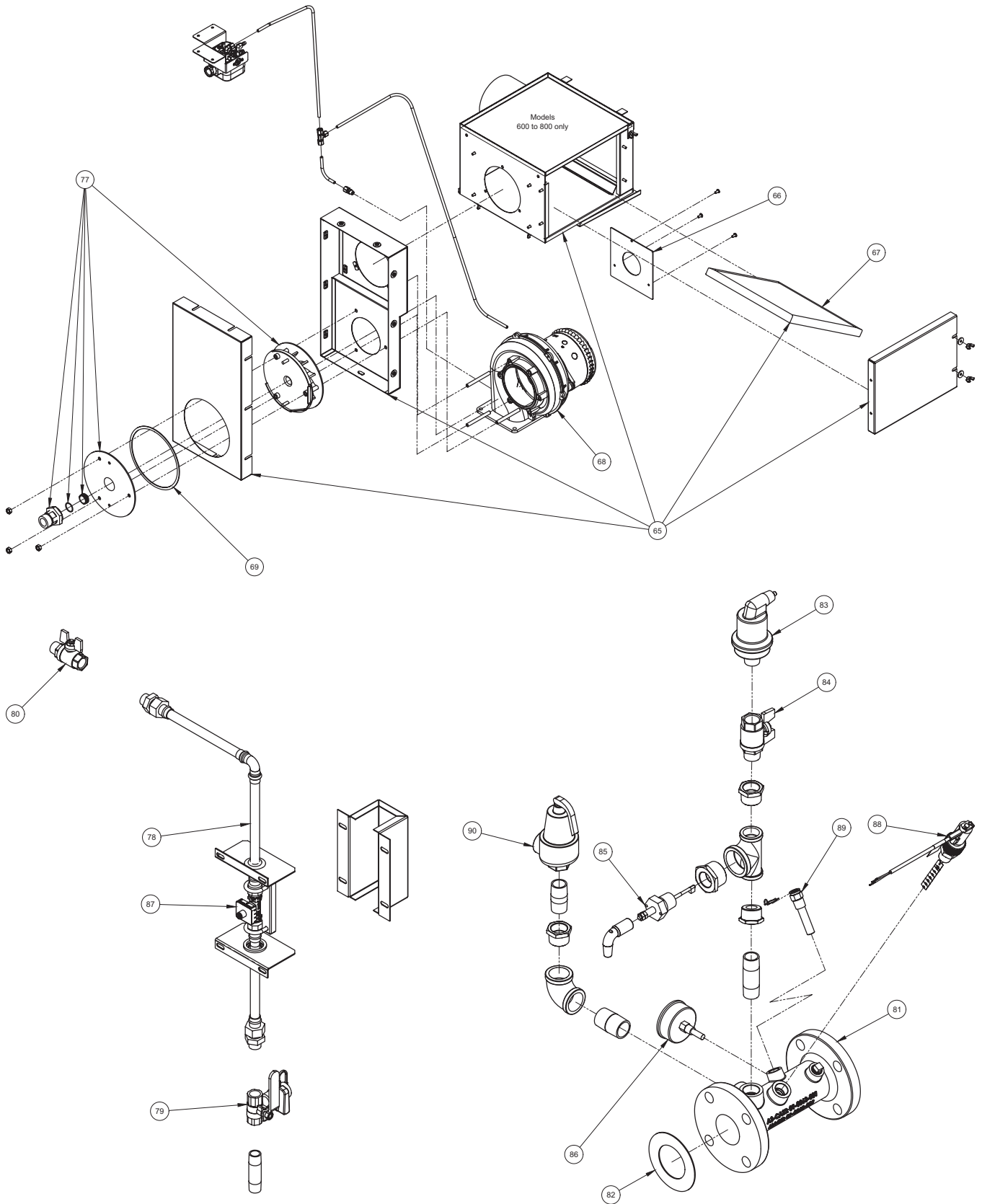
Exploded View



Exploded View

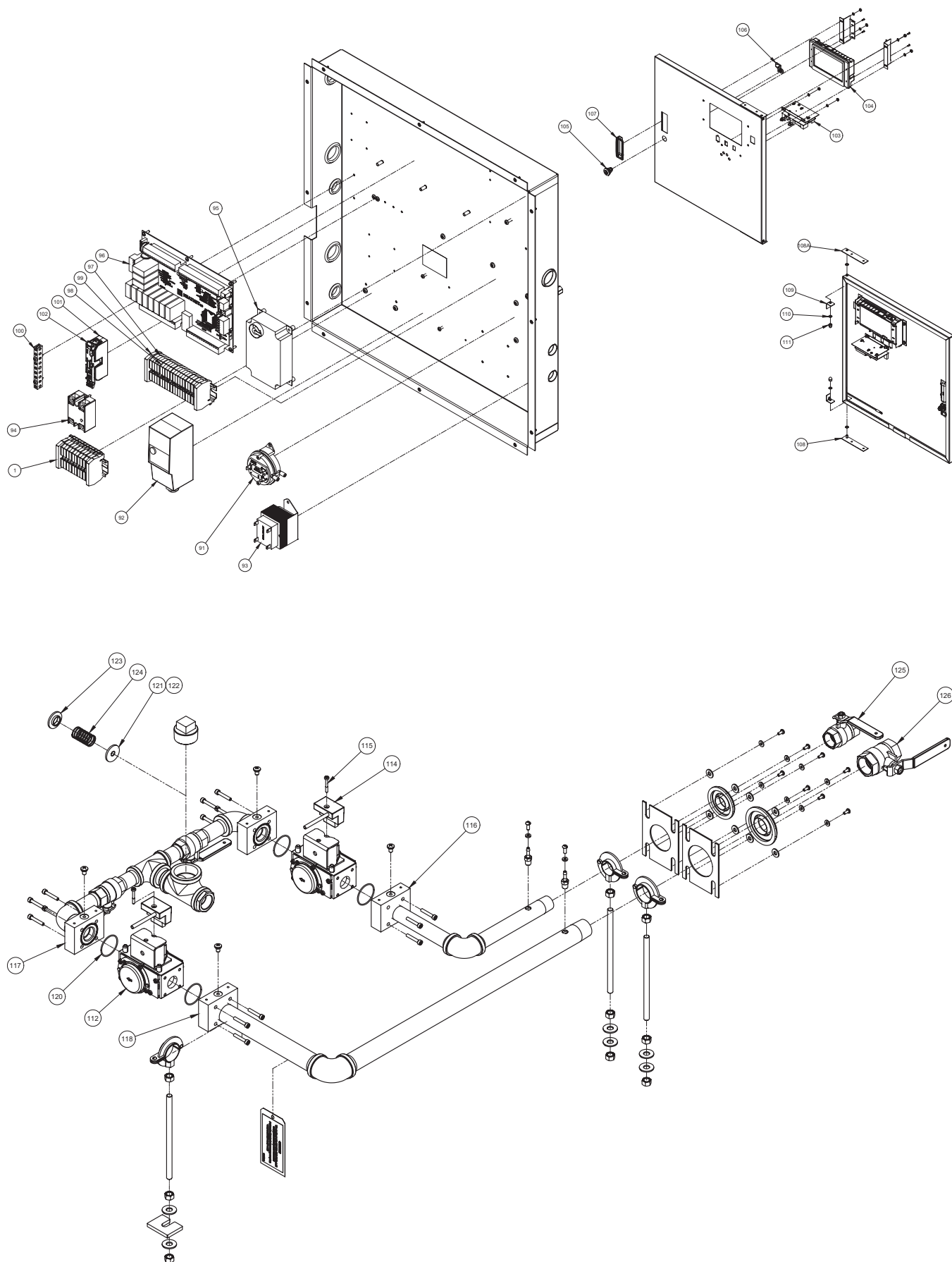


Exploded View

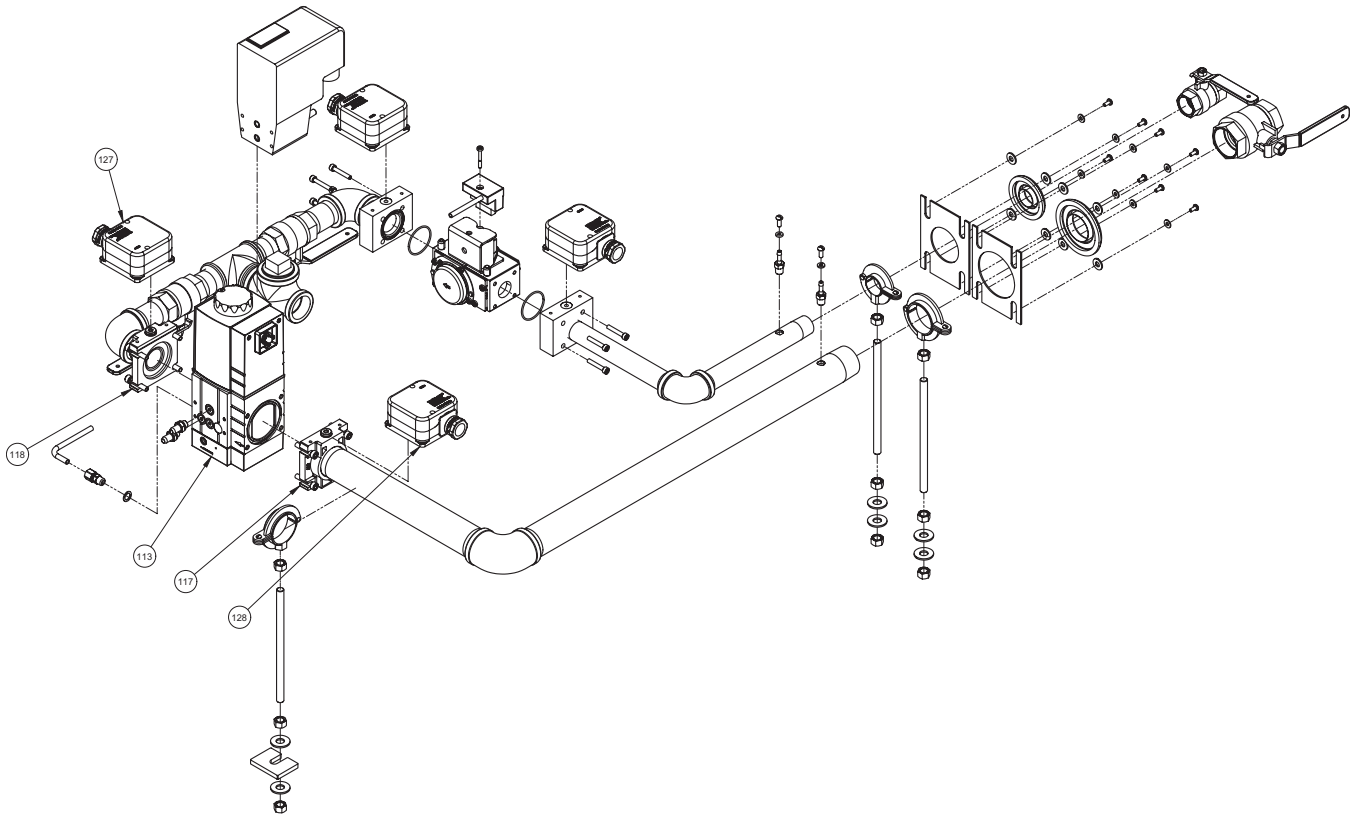




Exploded View



Exploded View



## Encore Stainless Steel Condensing Boilers – Installation Manual

### Encore Repair Parts List

Ref #	Name of Part	Part #	Model Size with Quantities Below					
			350	400	500	600	725	850
1	Assembly, Front Upper Front Door Panel	75-0816-001	1	1	1	1	1	1
2	Assembly, Front Lower Door Panel	75-0818-001	1	1	1	1	1	1
3	Assembly, Front Bottom Jacket Panel	75-0819-001	1	1	1	1	1	1
4	Assembly, Side Jacket Panel	03-4526-001	2	2	2	2	2	2
5	Assembly, Top Jacket Panel	75-0817-001	1	1	1	1	1	1
6	Weldment, Rear Top Jacket Panel	74-1211-001	1	1	1			
		74-1211-002				1	1	1
7	Weldment, Rear Middle Jacket Panel	74-1212-001	1	1	1			
		74-1212-002				1	1	1
8	Panel, Rear Bottom Jacket	03-4827-001	1	1	1			
		03-4827-002				1	1	1
9	Panel, Air Inlet Cover	03-4830-001	1	1	1	1	1	1
10	Assembly, Control Manifold Extension Cover	75-0837-001	1	1	1	1		
		75-0837-002					1	1
11	Panel Upper Rear Access	03-4876-001	1	1	1	1	1	1
12	Panel, Lower Rear Access	03-4831-001	1	1	1	1	1	1
13	Weldment, Flue Vent Temp Switch Cover	74-1225-001	1	1	1	1		
		74-1215-002					1	1
14	Bracket, Heat Exchanger to Frame Front	03-4804-001	1	1	1	1		
		03-4804-002					1	1
15	Bracket, Heat Exchanger to Frame LH	03-4805-001	1	1	1	1		
		03-4805-002					1	1
16	Bracket, Heat Exchanger to Frame RH	03-4806-001	1	1	1	1		
		03-4806-002					1	1
17	Corner, N30-25T Modified-002, Common-002	04-0756-002	4	4	4	4	4	4
18	Corner, N30-25T Modified-005, Common-005	04-0756-005	1	1	1	1	1	1
19	Profile, P130-25 x 21-9/16", Modified-001	04-1809-001	1	1	1	1	1	1
20	Profile, P130-25 x 21-9/16", Modified-002	04-1809-002	1	1	1	1	1	1
21	Profile, P130-25 x 59-1/16", Modified-003	04-1809-003	1	1	1	1	1	1
22	Profile, P230-25 x 21-9/16", Modified-001	04-1810-001	1	1	1	1	1	1
23	Joint, N 30JP, Modified-001	04-1811-001	2	2	2	2	2	2
24	Corner, N30-25T	20-0053	3	3	3	3	3	3
25	Joint, N 30JP	20-0069	2	2	2	2	2	2
26	Profile, P130-25 x 20-1/16"	61-0330-2006	4	4	4	4	4	4
27	Profile, P130-25 x 21-9/16"	61-0330-2156	2	2	2	2	2	2
28	Profile, P130-25 x 59-1/16"	61-0330-5906	3	3	3	3	3	3
29	Profile, P230-25 x 21-5/8"	61-0331-2163	1	1	1	1	1	1
30	Cable Tie, Winged Push-in Mount, 0.19" x 7.8", Black	48-0357-001	1	1	1	1	1	1
31	Sight View Mirror	22-0032-001	1	1	1	1	1	1
32	Sight Glass Assembly	22-0037-001	1	1	1	1	1	1
33	Ionization Electrode	22-0033-001	1	1	1	1	1	1
34	Electrode Gasket	22-0034-001	1	1	1	1	1	1
35	Ignition Electrode	22-0035-001	1	1	1	1	1	1
36	Refractory Heatshield	22-0036-001	1	1	1	1		
		22-0036-002					1	1
37	Blower Adapter Assembly(1 Blower Gasket included)	75-0801-001	1	1	1			
		75-0801-002					1	1
38	Buner Plate Gasket	22-0039-001	1	1	1	1		
		22-0039-002					1	1
39	Burner	22-0040-001	1	1				
		22-0040-002			1	1		
		22-0040-003					1	
		22-0040-004						1
40	Buner Plate	22-0041-001	1	1	1	1		
		22-0041-002					1	1
41	Screw, M4 X 8mm(2 per Electrode)	57-1474-006	2	2	2	2	2	2
42	Screw, M4 X 12mm	57-1474-008	2	2	2	2	2	2
43	Washer, M6	57-1102-007	8	8	8	8	8	8
44	Serrated Flange Nut, M6	57-1052-004	4	4	4	4	4	4
45	Serrated Flange Nut, M8	57-1052-005	4	4	4	4	4	4
46	Hex Nut, M5	57-1051-008	4	4	4			
47	Lock Washer, M5	57-1151-006	4	4	4			
48	Weldment, Base Frame	74-1202-001	1	1	1	1	1	1
49	Assembly, Heat Exchanger PGT400(Adaptor Included)	75-0808-001	1	1				
	Assembly, Heat Exchanger PGT550(Adaptor Included for 500 only)	75-0808-002			1	1		
	Assembly, Heat Exchanger PGT700(Adaptor Included)	75-0808-003					1	
	Assembly, Heat Exchanger PGT850(Adaptor Included)	75-0808-004						1
50	Ball Valve, 1/4 FPT X MPT	11-0473-007	1	1	1	1	1	1
51	Ball Valve, 1 FPT X MPT	11-0471-003	1	1	1	1	1	1
52	Assembly, Condensate Trap & Piping	75-0803-001	1	1	1	1	1	1
53	Bracket, Condensate Trap Mounting	03-4801-001	1	1	1	1	1	1
54	Assembly, Flue Vent Temp Switch	75-0804-001	1	1	1	1		
		75-0804-002					1	1
55	Sensor, Probes Unlimited, 10K	14-0333-001	3	3	3	3	3	3

## Encore Stainless Steel Condensing Boilers – Installation Manual

### Model Size with Quantities Below

Ref #	Name of Part	Part #	350	400	500	600	725	850
56	Weldment, Blower to Upper Cover Adaptor	74-1203-001				1		
57	Air Diverter, Blower	03-4821-001	1	1	1			
		03-4821-002				1	1	1
58	Insulation, Heat Exchanger Top	05-0606-001	1	1	1			
		05-0606-002				1	1	1
59	Insulation, Heat Exchanger Shell	05-0607-001	1	1	1			
		05-0607-002				1	1	1
60	Gasket, Air Diverter	06-0229-001	1	1	1			
		06-0229-002				1	1	1
61	High Limit, 350°F, Thermo-0-Disc	14-0129-001	1	1	1	1	1	1
62	Flange, Raised Face, Threaded, CL150, 2"	53-5002	1	1	1	1		
63	Flange, Raised Face, Threaded, CL150, 2-1/2"	53-5001					1	1
64	Assembly, Blower Pressure Switch & Bracket	75-0831-001	1	1	1	1	1	1
65	Assembly, Filter Box	75-0811-001	1	1	1			
		75-0811-002				1	1	1
66	Panel, Filter Box Orifice	03-4818-001	1	1				
		03-4818-002			1			
		03-4818-003				1		
		03-4818-004					1	
		03-4818-005						1
67	Air Filter	09-0503-001	1	1	1	1	1	1
68	Blower	12-0031-001	1	1	1			
		12-0032-001				1	1	1
69	Gasket, Filter Box Orifice Plate	06-0228-001	1	1	1			
		06-0228-002				1	1	1
70	Orifice, Injector, 9.0mm	11-0728-001	1	1				
	Orifice, Injector, 9.5mm	11-0728-002			1			
71	Screw, M4 X 10mm	57-0967-006	4	4	4			
72	O-ring, Orifice	06-0099-032	1	1	1			
73	Flange, 3/4 NPT	11-0732-001	1	1	1			
74	Plate, Nozzle	11-0731-001	1	1	1			
75	Plate, Swirl	11-0729-001	1	1	1			
76	Plate, RG148 Adaptor	11-0730-001	1	1	1			
77	Kit Swirl plate, Dungs	11-0658-002				1	1	1
78	Assembly, Flow Sensor Piping, Retrofit (Sensor Included)	75-0838-001	1	1	1	1	1	1
79	Ball Valve, 1/2 NPT w/ Hose Drain	13-0252-001	1	1	1	1	1	1
80	Ball Valve, 1/2 NPT	11-0471-001	1	1	1	1	1	1
81	Control Extension Manifold	01-0063-001	1	1	1	1		
		01-0063-002					1	1
82	Ring Gasket, 2 in Flange	06-0251-001	1	1	1	1		
	Ring Gasket, 2-1/2 in Flange	06-0252-001					1	1
83	Air Vent	13-0352-001	1	1	1	1	1	1
84	Ball Valve, 3/4 NPT	11-0471-002	1	1	1	1	1	1
85	LWCO Probe	14-0275	1	1	1	1	1	1
86	T&P Gauge, 0-100psi (Match Existing)	13-0308	1	1	1	1	1	1
	T&P Gauge, 0-230psi (Match Existing)	03-0305	1	1	1	1	1	1
87	Flow Sensor, Sika (Std)	14-0330-002	1	1	1	1	1	1
88	Flow Switch, Sika (For 150 & 160psi PRV Only)	14-0207	1	1	1	1	1	1
89	Well, 3/8 NPT, Sensor	13-0104	1	1	1	1	1	1
90	PRV, 50psi	30-0360	1	1	1	1		
		13-0040					1	1
	PRV, 125psi	30-0364	1	1	1	1	1	1
91	Pressure Control, 2.50"W.C.	14-0068	1	1	1	1	1	1
92	High Limit, Manual Reset	14-0127	1	1	1	1	1	1
93	Transformer, 120V to 24V, 50VA	15-0007	1	1	1	1	1	1
94	Relay, Solid State, 100-240VAC, 20A, 1PH	15-0137	1	1	1	1	1	1
95	Ignition Control Module, Fenwal	16-0063-001	1	1	1	1	1	1
96	Board, HeatNet, Full, Sata	40-0092	1	1	1	1	1	1
NS	Wire Harness, Display	40-0115-002	1	1	1	1	1	1
NS	Wire Harness, Blower Motor & Flow Sensor	40-0401-001	1	1	1	1	1	1
NS	Wire Harness, Ign Ctrl Module	40-0403-003	1	1	1	1	1	1
NS	Wire Harness, 120V & 24V to J14	40-0405-005	1	1	1	1	1	1
NS	Wire Harness, Operator to Elec. Panel	40-0408-003	1	1	1	1	1	1
NS	Wire Harness, J4 to J1 Flow Sensor	40-0415-003	1	1	1	1	1	1
NS	Wire Harness, Ign Ctrl H.V.OUT to Spark Electrode	40-0420-001	1	1	1	1	1	1
NS	Wire Harness, Ign Ctrl B.GND to GND Electrode	40-0420-002	1	1	1	1	1	1
NS	Wire Harness, Ign Ctrl S1 to Flame Sense Electrode	40-0420-003	1	1	1	1	1	1
97	Terminal Block, Screwless Feed Through	48-0178-002	28	28	28	28	28	28
NS	Terminal Block Jumper, 2 Pole	48-0179-002	5	5	5	5	5	5
NS	Terminal Block Jumper, 3 Pole	48-0180-002	4	4	4	4	4	4
98	Terminal Block Cover	48-0182-001	12	12	12	12	12	12
99	Terminal Block, End Bracket	48-0185-001	4	4	4	4	4	4
100	Ground Bar	48-0446	1	1	1	1	1	1
101	Fuse Block, Class CC	48-0645	1	1	1	1	1	1

## Encore Stainless Steel Condensing Boilers – Installation Manual

### Model Size with Quantities Below

Ref #	Name of Part	Part #	350	400	500	600	725	850
102	Fuse Block Cover, Class CC	48-0690-002	1	1	1	1	1	1
NS	Fuse, 15A, LP-CC	48-0627	1	1	1			
NS	Fuse, 20A, LP-CC	48-0639				1	1	1
103	LWCO & Bracket	75-0030-001	1	1	1	1	1	1
104	Touch Screen w/Enclosure	40-0091-002	1	1	1	1	1	1
105	Latch, Quarter Turn	20-0042	1	1	1	1	1	1
106	Pawl, Quarter Turn	20-0043	1	1	1	1	1	1
107	Pull Handle, Flush	20-0044	1	1	1	1	1	1
108	Weldment, Door Swing Stud Plate Bottom	74-1224-001	1	1	1	1	1	1
108A	Weldment, Door Swing Stud Plate Top	74-1224-002	1	1	1	1	1	1
109	Washer, B, 1/4	57-0572-009	2	2	2	2	2	2
110	Bracket, Door Swing	03-4838-001	1	1	1	1	1	1
111	Lock Nut, 1/4-20, ZP, Nylon	57-0514-011	1	1	1	1	1	1
112	Gas Valve, EBM	11-0726-001	1 (NG/LP)	1 (NG/LP)	1 (NG/LP)	1 (LP)	1 (LP)	1 (LP)
113	Gas Valve, Dungs MBC 1000	11-0230				1 (NG)	1 (NG)	1 (NG)
114	Connection Box, Harness, EBM	11-0727-001	1 (NG/LP)	1 (NG/LP)	1 (NG/LP)	1 (LP)	1 (LP)	1 (LP)
115	Mounting Screw, Harness, EBM	57-0975-005	1 (NG/LP)	1 (NG/LP)	1 (NG/LP)	1 (LP)	1 (LP)	1 (LP)
NS	Wire Harness, Gas Valve Connector, Dungs	40-0418-001				1 (NG)	1 (NG)	1 (NG)
116	Gas Valve Flange, 3/4 NPT, EBM	04-5007-001	1 (NG)/ 2 (LP)	1 (NG)/ 2 (LP)	1 (NG)/ 2 (LP)	1 (LP)	1 (LP)	1 (LP)
117	Gas Valve Flange, 1 NPT, EBM	04-5007-002	1 (NG)	1 (NG)	1 (NG)	1 (LP)	1 (LP)	1 (LP)
118	Gas Valve Flange, 1-1/4 NPT, Dungs	11-0237-001				1 (NG)	1 (NG)	1 (NG)
119	Gas Valve Flange, 1 NPT Adjustable Shutter, Dungs	11-0228				1 (NG)	1 (NG)	1 (NG)
120	O-Ring, EBM Gas Valve Flange	06-0095-029	2 (NG/LP)	2 (NG/LP)	2 (NG/LP)			
121	Limiting Orifice, 8mm	10-1018-001	1	1				
122	Limiting Orifice, 10mm	10-1018-002				1	1	
123	Limiting Orifice, 15mm	10-1018-003	1	1		1	1	
124	Spring, Limiting Orifice	57-2254-001	1	1		1	1	
125	Ball Valve, 1 NPT	11-0456	1	1	1			
126	Ball Valve, 1-1/4 NPT	11-0457				1	1	1
127	High Gas Pressure Switch	11-0421	1	1	1	1	1	1
128	Low Gas Pressure Switch	11-0422	1	1	1	1	1	1

# START-UP REPORT

DATE:	JOB NAME:
TECHNICIAN:	LOCATION:
COMPANY:	MODEL:
PHONE NUMBER:	SERIAL #:

## PRE-STARTUP CHECK LIST

- |  |  |
|--|--|
| <input type="checkbox"/> NO VISIBLE DAMAGE TO UNIT | <input type="checkbox"/> INLET AIR FILTER INSTALLED AND CLEAN              |
| <input type="checkbox"/> PIPING PROPERLY CONNECTED | <input type="checkbox"/> PROPER SERVICE CLEARANCES PROVIDED                |
| <input type="checkbox"/> BOILER CIRCULATOR WIRED   | <input type="checkbox"/> PUMP RUNNING, HEAT EXCHANGER FULL                 |
| <input type="checkbox"/> VENT/STACK CONNECTED      | <input type="checkbox"/> GAS LINES PURGED, NO LEAKS, NO MISSING TEST PLUGS |

## BOILER START UP SEQUENCE

**Note:** Locate the S2 Calibration Switch and low fire hold switch in the bottom-right of the electrical panel on the main HeatNet board. Also locate the manometer pressure taps (Figures 21 & 22).

1. Check spark gap and flame rod position: (follow section "Checking, Adjustment & Operation").
2. Perform pre-start up checks and set up: (follow section "Operating Instructions"; Steps 1-10).
3. Disable any external call for heat and toggle the remote/local switch to REMOTE.
4. Ignition and low fire adjustment: Toggle the LOW FIRE switch to cycle the boiler to low fire ignition (follow section "Operating Instructions"; Steps 11-16).
5. Check flame current: (follow section "Measure Flame Current").
6. Set min % and low fire combustion values: (follow section "Operating Instructions"; Step 17).
7. Record combustion and Delta P at low fire.
8. Set max % and high fire combustion values; (follow section "Operating Instructions"; Step 18).
9. Record combustion and Delta P at high firing rate.
10. Check all combustion results using a calibrated flue gas analyzer.
11. Release the LOW FIRE switch to place boiler in standby.

**NOTICE**

In addition to completing the Encore Series start-up report, complete the control set-up information in the rear of the HeatNet manual.

COMBUSTION ANALYSIS	MINIMUM FIRING RATE	100% FIRING RATE
GAS INLET PRESSURE (WC)	INCHES WC	INCHES WC
CO <sub>2</sub>	%	%
O <sub>2</sub>	%	%
CO (PPM)	PPM	PPM
NET STACK TEMPERATURE	°F	°F
AIR BOX DIFFERENTIAL (DELTA P - WC)	INCHES WC	INCHES WC

**SAFETY TEST CHECKLIST**

- |  |                                      |  |
|--|--------------------------------------|--|
| <input type="checkbox"/> FLOW SWITCHES (By Others) | <input type="checkbox"/> AIR SWITCH  | <input type="checkbox"/> FLAME SAFEGUARD |
| <input type="checkbox"/> LOW WATER CUT-OFF         | <input type="checkbox"/> HIGH LIMITS |  |

**COMMISSIONING THE BOILER**

<input type="checkbox"/> UNIT CYCLED MINIMUM OF 15 TIMES <input type="checkbox"/> CUSTOMER INSTRUCTED <input type="checkbox"/> ALL COVERS REPLACED <input type="checkbox"/> CUSTOMER GIVEN MANUAL <input type="checkbox"/> TARGET TEMPERATURE SET PER CUSTOMER  COMMISSIONED BY: _____ <div style="text-align: right; margin-right: 100px;">(SIGNATURE)</div>  DATE: _____	THE DELTA T BETWEEN THE HEATER INLET AND OUTLET IS CRITICAL TO PROPER FLOW. BEFORE YOU LEAVE THE JOB-SITE, YOU MUST RECORD THE DELTA T. THIS READING SHOULD NOT EXCEED 100°F, 55°C, NOR BE LOWER THAN 20°F, 11.1°C.  DELTA T = <input style="width: 100px; height: 20px;" type="text"/>
---	---

**ADDITIONAL NOTES AND COMMENTS**

---

---

---

---

---

---

---

---

---

---



# NOTICE!

## Commonwealth of Massachusetts Installation Requirements

**(a) For all side wall horizontally vented gas fueled equipment installed in every dwelling, building or structure used in whole or in part for residential purposes, including those owned or operated by the commonwealth and where the side wall exhaust vent termination is less than seven (7) feet above finished grade, in the area of the venting, including but not limited to decks and porches, the following requirements shall be satisfied:**

1. **INSTALLATION OF CARBON MONOXIDE DETECTORS.**  
At the time of installation of the side wall horizontal vented gas fueled equipment, the installing plumber or gasfitter shall observe that a hard wired carbon monoxide detector with an alarm and battery back-up is installed on the floor level where the gas equipment is to be installed. In addition, the installing plumber or gasfitter shall observe that a battery operated or hard wired carbon monoxide detector with an alarm is installed on each additional level of the dwelling, building or structure served by the side wall horizontal vented gas fueled equipment. It shall be the responsibility of the property owner to secure the services of qualified licensed professionals for the installation of hard wired carbon monoxide detectors.
  - a. In the event that the side wall horizontally vented gas fueled equipment is installed in a crawl space or an attic, the hard wired carbon monoxide detector with alarm and battery back-up may be installed on the next adjacent floor level.
  - b. In the event that the requirements of this subdivision can not be met at the time of completion of installation, the owner shall have a period of thirty (30) days to comply with the above requirements; provided, however, that during said thirty (30) day period, a battery operated carbon monoxide detector with an alarm shall be installed.
2. **APPROVED CARBON MONOXIDE DETECTORS.** Each carbon monoxide detector as required in accordance with the above provisions shall comply with NFPA 720 and be ANSI/UL 2034 listed and IAS certified.
3. **SIGNAGE.** A metal or plastic identification plate shall be permanently mounted to the exterior of the building at a minimum height of eight (8) feet above grade directly in line with the exhaust vent terminal for the horizontally vented gas fueled heating appliance or equipment. The sign shall read, in print size no less than one-half (1/2) inch in size, "GAS VENT DIRECTLY BELOW. KEEP CLEAR OF ALL OBSTRUCTIONS".
4. **INSPECTION.** The state or local gas inspector of the side wall horizontally vented gas fueled equipment shall not approve the installation unless, upon inspection, the inspector observes carbon monoxide detectors and signage installed in accordance with the provisions of 248 CMR 5.08(2)(a)1 through 4.

**WARNING** Improper venting can result in excessive levels of carbon monoxide which can cause severe personal injury or death!

**In the Commonwealth of Massachusetts, the installation must be performed by a licensed plumber or gas fitter.**

### (b) Exemptions

The following equipment is exempt from 248 CMR 5.08(2)(a) 1 through 4:

1. The equipment listed in Chapter 10 entitled "Equipment Not Required To Be Vented" in the most current edition of NFPA 54 as adopted by the Board; and
2. Product Approved side wall horizontally vented gas fueled equipment installed in a room or structure separate from the dwelling, building or structure used in whole or in part for residential purposes.

### (c) MANUFACTURER REQUIREMENTS - GAS EQUIPMENT VENTING SYSTEM PROVIDED.

When the manufacturer of Product Approved side wall horizontally vented gas equipment provides a venting system design or venting system components with the equipment, the instructions provided by the manufacturer for installation of the equipment and the venting system shall include:

1. Detailed instructions for the installation of the venting system design or the venting system components; and
2. A complete parts list for the venting system design or venting system.

### (d) MANUFACTURER REQUIREMENTS – GAS EQUIPMENT VENTING SYSTEM NOT PROVIDED.

When the manufacturer of a Product Approved side wall horizontally vented gas fueled equipment does not provide the parts for venting the flue gases, but identifies "special venting systems", the following requirements shall be satisfied by the manufacturer:

1. The referenced "special venting system" instructions shall be included with the appliance or equipment installation instructions; and
2. The "special venting systems" shall be Product Approved by the Board, and the instructions for that system shall include a parts list and detailed installation instructions.

**(e) A copy of all installation instructions for all Product Approved side wall horizontally vented gas fueled equipment, all venting instructions, all parts lists for venting instructions, and/or all venting design instructions shall remain with the appliance or equipment at the completion of the installation.**

**WARNING** Improper venting can result in excessive levels of carbon monoxide which can cause severe personal injury or death!

## Encore Series Water Boiler

### LIMITED WARRANTY

#### One-Year Warranty

The "Manufacturer" warrants to the original owner at the original installation site that the Encore Series modulating water boiler ("Product") will be free from defects in material and workmanship for one (1) year from the date of installation or eighteen (18) months from the date of shipment from the factory whichever comes first. If upon examination by the manufacturer the product is shown to have a defect in material or workmanship during the warranty period, the manufacturer will repair or replace, at its option that part of the product, which is shown to be defective.

#### Ten-Year Warranty

The manufacturer further warrants to the original owner at the original installation site that the products Heat Exchanger will be free from defects from condensate corrosion and in material and workmanship for a period of ten (10) years (non prorated) from the date of shipment from the factory. If upon examination by the manufacturer the product is shown to have a defect in material or workmanship during the warranty period, the manufacturer will repair or replace, at its option the Heat Exchanger of the product, which is shown to be defective. Suspended solids such as magnetite, Iron Oxides must be flushed from the system prior to commissioning the boiler(s). System fill water must not contain more than 500 ppm of dissolved solids, less than 150 ppm chloride concentration and no greater than 200 ppm hardness. The PH level must be within 6.5-8.5 range. Where required, the system must be protected by the addition of a corrosion inhibitor per the chemical supplier's instructions. A minimum system pressure of (20 psig, 138, kPa) must be maintained at boiler operating conditions - (30 psig, 207 kPa for glycol systems). For systems requiring glycol for freeze protection use a glycol/water mix that prevents foaming. Air entrapped within foam significantly decreases heat transfer and can result in damage to the heat exchanger. Coalescing style air separators are strongly recommended in Variable Speed Systems where velocities can vary and may be too slow for conventional type air separators. Failure to follow these guidelines will void the warranty.

#### Twenty-One Year Thermal Shock Warranty

The manufacturer further warrants to the original owner at the original installation site that the products will be warranted for twenty-one (21) years against thermal shock when installed in a closed loop hot water system. This warranty does not cover damage due to corrosion, scaling, sooting or to improper installation practices. The inlet / outlet temperature differential across the boiler heat exchanger must not exceed 60 degrees F. Failure to follow these guidelines will void the warranty.

#### This Limited Warranty does not Apply:

- (a) If the product has been subjected to misuse or neglect, has been accidentally or intentionally damaged, has not been installed, maintained or operated in accordance with the furnished written instructions, or has been altered or modified in anyway by any unauthorized person.
- (b) To any expenses, including labor or material, incurred during the removal or reinstallation of the product or parts thereof.
- (c) To products which were not installed and or serviced by a qualified contractor and or serviceman.
- (d) To burners, jackets, controls and other auxiliary equipment furnished by the manufacturer, but manufactured by others. Any warranties for such items shall be limited to those warranties offered by the original equipment manufacturer.
- (e) To any workmanship by any installer of the product.

#### This limited Warranty is Conditional Upon:

- (a) Shipment, to the manufacturer, of that part of the product thought to be defective. Goods may only be returned with prior written approval of the manufacturer. All returns must be freight prepaid.
- (b) Determination in the reasonable opinion of the manufacturer that there exists a defect in material or workmanship. Repair or replacement of any part under this Limited warranty shall not extend the duration of the warranty with respect to such repaired or replaced part beyond the stated warranty period.

**THIS LIMITED WARRANTY IS IN LIEU OF ALL OTHER WARRANTIES, EITHER EXPRESSED OR IMPLIED, AND ALL SUCH OTHER WARRANTIES, INCLUDING WITHOUT LIMITATION IMPLIED WARRANTIES OF MERCHANTABILITY OR FITNESS FOR A PARTICULAR PURPOSE, ARE HEREBY DISCLAIMED AND EXCLUDED FROM THIS LIMITED WARRANTY. IN NO EVENT SHALL THE MANUFACTURER BE LIABLE IN ANY WAY FOR ANY CONSEQUENTIAL, SPECIAL, OR INCIDENTAL DAMAGES OF ANY NATURE WHATSOEVER, OR FOR ANY AMOUNTS IN EXCESS OF THE SELLING PRICE OF THE PRODUCT OR ANY PARTS THEREOF FOUND TO BE DEFECTIVE. THIS LIMITED WARRANTY GIVES THE OWNER AT THE ORIGINAL INSTALLATION SITE SPECIFIC LEGAL RIGHTS. YOU MAY ALSO HAVE OTHER RIGHTS, WHICH MAY VARY BY EACH JURISDICTION.**



260 North Elm Street  
Westfield, MA 01085  
Phone: (413) 564-5515  
Fax: (413) 568-9613

7555 Tranmere Drive  
■ Mississauga, Ontario L5S 1L4 Canada  
Phone: (905) 670-5888  
Fax: (905) 670-5782

[www.rbiwaterheaters.com](http://www.rbiwaterheaters.com)

