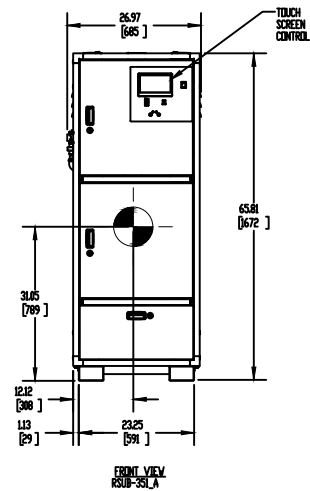


GAS OPTION	"	"	"
NG	1 NPT	31.78	31.82
LP	3/4 NPT	31.78	31.81



NOTES:

1. \ominus SYMBOL INDICATES CENTER OF GRAVITY.
2. DIMENSIONS ARE NOMINAL AND SUBJECT TO MANUFACTURING VARIATION AND SHOULD NOT BE USED FOR "ROUNDING UP".
3. ALL DIMENSIONS ARE INCHES (w/).