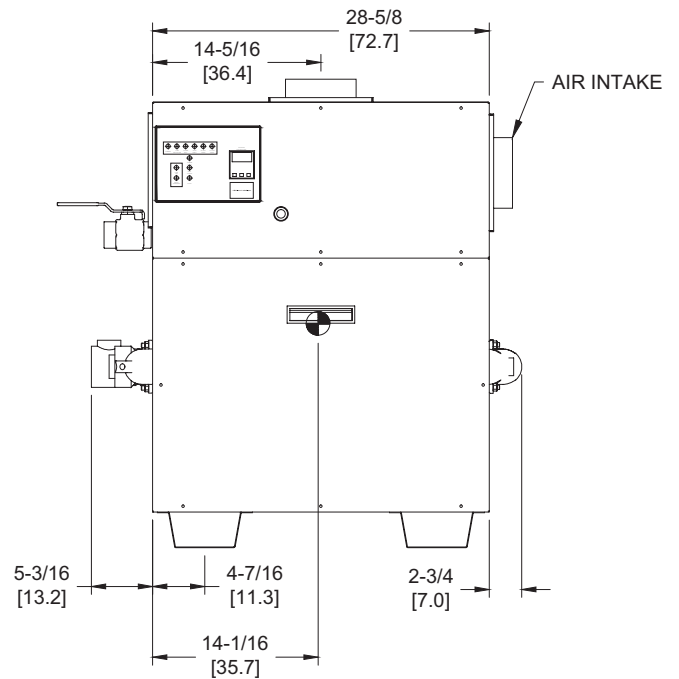
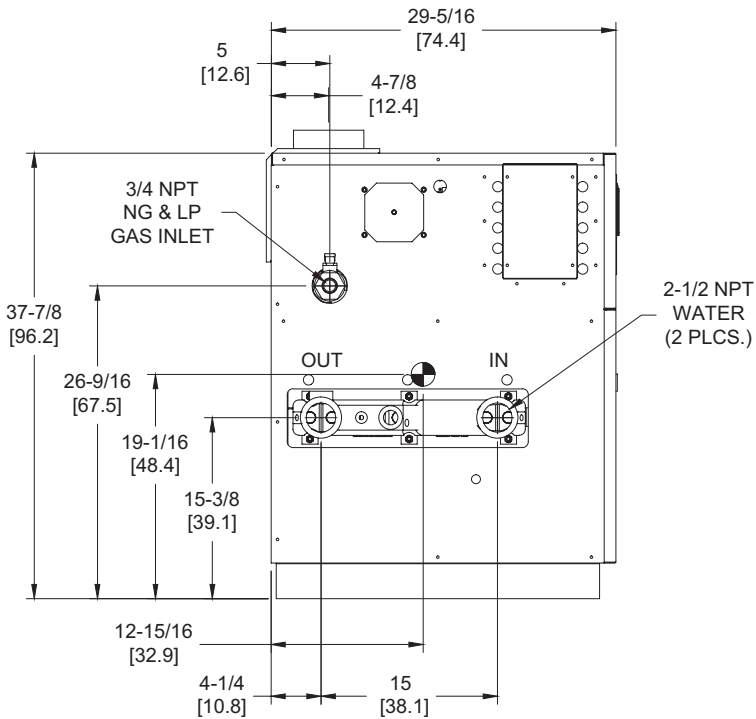
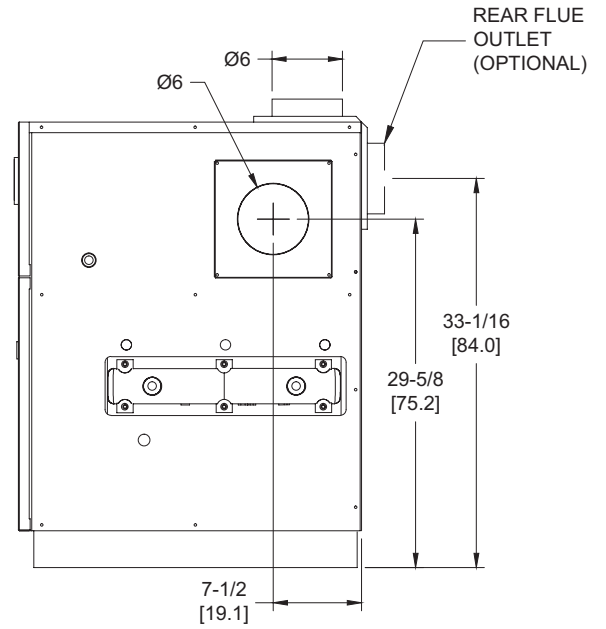
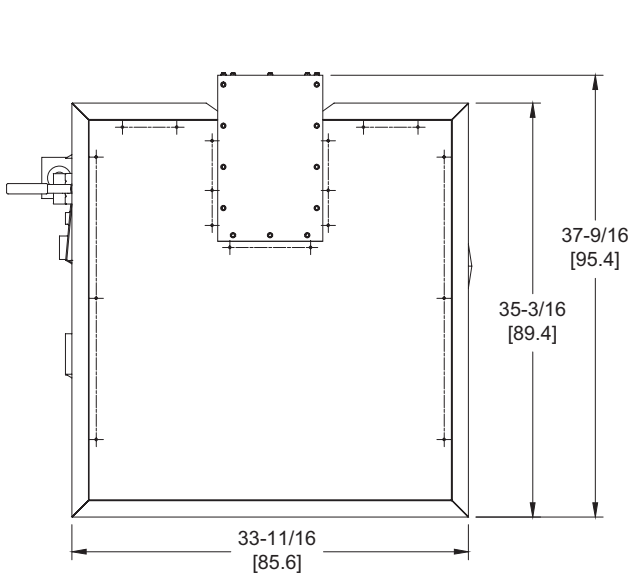


DOMINATOR 400

Category I or Category III Appliance
 (see Installation and Operation Manual for venting information)

CODE OPTIONS

CSD-1	UTC Lockout/Reset Control Manual Reset LWCO
--------------	--



RSUB-28-E

Dominator 400 model water heater not available for sale in the U.S. market due to DOE regulations.

Notes:

1. Dimensions are approximate and should not be used to "rough-in" equipment.
2. Dimensions are subject to change without notice.
3. All dimensions are in inches (cm).
4. Symbol indicates center of gravity.

BOILER CERTIFIED RATINGS & CAPACITIES

Fuel Type	Natural/Propane Gas	Boiler FLA	3.8*
Input BTU/hr.	399,000 / 117 kW	Min. Gas Pressure Required	7" WC**
Output BTU/hr.	335,160 / 98 kW	Max. Gas Pressure Allowed	14" WC
Electrical Requirements	120VAC/ 1 ph/ 60 hz	Operating Weight	490 lbs. / 222 kg.

BOILER / WATER HEATER TRIM & CONTROLS

Main Gas Valve	Honeywell VR8305 3/4"	Pilot Valve	Honeywell VR8205
Firing Valve	Honeywell B200T1025 3/4"	Air Switch	Cleveland RSS-495
Ignition Control	UTC 1003-61A	Blower Motor	1/5 hp - FLA 3.0
Operating Control	Tekmar BTC-2PA	Relief Valve - DW	3/4" x 3/4" set @ 125 psi
High Limit	Honeywell L4008E	Relief Valve - DB	3/4" x 3/4" set @ 50 psi
		Flow Switch	TACO

A.S.M.E.

ASME Sect IV Htg Surface	50.0 Sq. Ft. / 4.65 Sq. M.	Design Data	Max. 160 psig & 250°F
Water Volume	3.6 gal / 13.6 Liters		

* Add circulator amps.

** For incoming gas pressures lower than 7" WC natural or 11" WC propane, consult factory.

BOILER TEMPERATURE RISE / PRESSURE DROP

15°F / 8.3°C				20°F / 11.1°C				25°F / 13.9°C			
Flow Rate		Pressure Drop		Flow Rate		Pressure Drop		Flow Rate		Pressure Drop	
GPM	L/s	Ft	kPa	GPM	L/s	Ft	kPa	GPM	L/s	Ft	kPa
44.7	2.8	0.48	1.4	33.5	2.1	0.28	0.8	26.8	1.7	0.19	0.5

WATER HEATER HOURLY RECOVERY CAPACITY (GPH & LPH)

40°F	22°C	60°F	33°C	80°F	44°C	100°F	56°C	120°F	67°C	140°F	78°C
958	3621	639	2414	720	2723	383	1448	319	1207	274	1035

**Dominator 400 model water heater not available for sale in the U.S. market due to DOE regulations.
Dominator 400 model water heater not available for sale in Canada.**

REP FIRM	_____
SUBMITTED BY	_____
JOB NAME	_____
ARCHITECT	_____
ENGINEER	_____
CONTRACTOR	_____
DATE	_____

DOMINATOR 400

Category I or Category III Appliance
(see Installation and Operation Manual for venting information)



A Division of Mestek, Inc.
Westfield, MA 01085
(413) 564-5515