

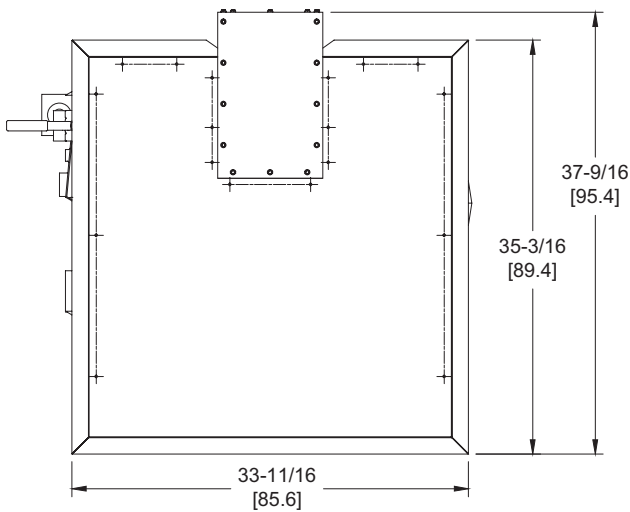
# DOMINATOR 400

Category I or Category III Appliance

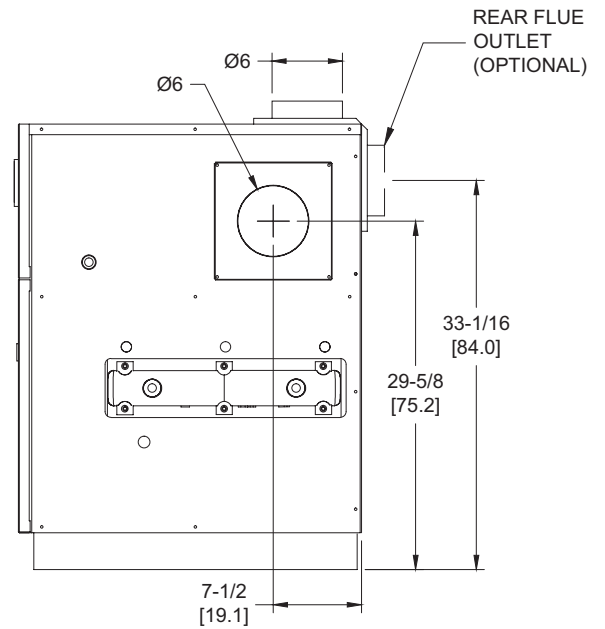
(see Installation and Operation Manual for venting information)

## CODE OPTIONS

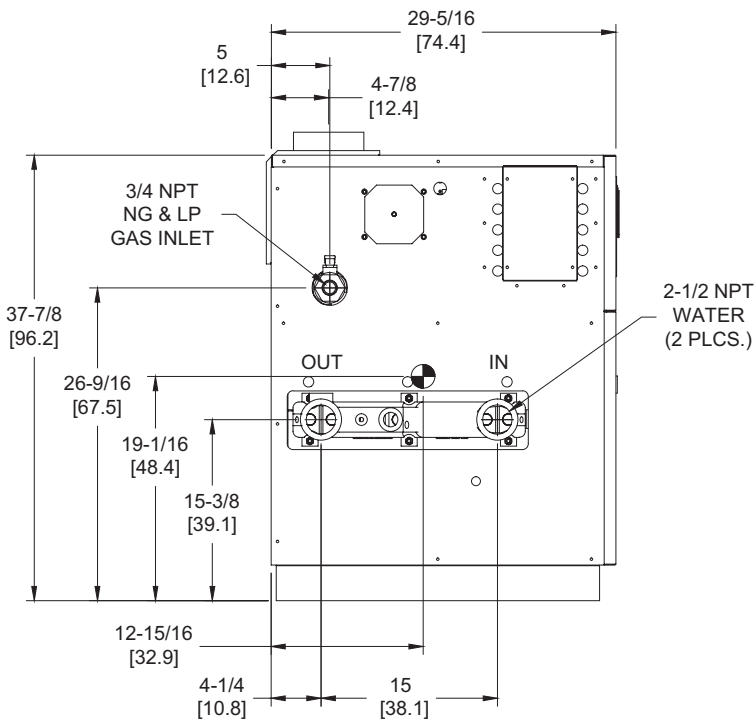
CSD-1	UTC Lockout/Reset Control Manual Reset LWCO
-------	--



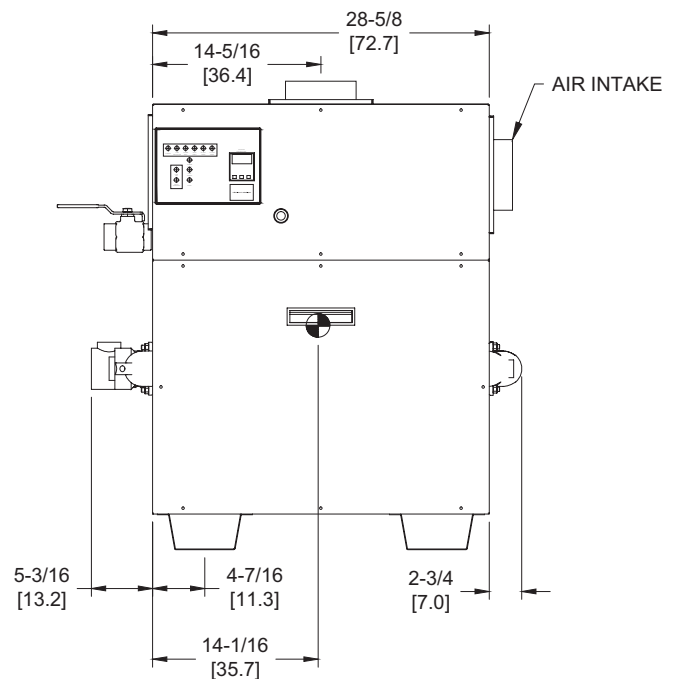
OUTDOOR TOP VIEW



RIGHT VIEW



LEFT VIEW



FRONT VIEW

RSUB-28-E

### Notes:

1. Dimensions are approximate and should not be used to "rough-in" equipment.
2. Dimensions are subject to change without notice.
3. All dimensions are in inches (cm).
4. ● Symbol indicates center of gravity.

## BOILER CERTIFIED RATINGS & CAPACITIES

<b>Fuel Type</b>	Natural/Propane Gas	<b>Boiler FLA</b>	3.8*
<b>Input BTU/hr.</b>	399,000 / 117 kW	<b>Min. Gas Pressure Required</b>	7" WC**
<b>Output BTU/hr.</b>	335,160 / 98 kW	<b>Max. Gas Pressure Allowed</b>	14" WC
<b>Electrical Requirements</b>	120VAC/ 1 ph/ 60 hz	<b>Operating Weight</b>	490 lbs. / 222 kg.

## BOILER / WATER HEATER TRIM & CONTROLS

<b>Main Gas Valve</b>	Honeywell VR8305 3/4"	<b>Pilot Valve</b>	Honeywell VR8205
<b>Firing Valve</b>	Honeywell B200T1025 3/4"	<b>Air Switch</b>	Cleveland RSS-495
<b>Ignition Control</b>	UTC 1003-61A	<b>Blower Motor</b>	1/5 hp - FLA 3.0
<b>Operating Control</b>	Tekmar BTC-2PA	<b>Relief Valve - DB</b>	3/4" x 3/4" set @ 50 psi
<b>High Limit</b>	Honeywell L4008E	<b>Flow Switch</b>	TACO

## A.S.M.E.

<b>ASME Sect IV Htg Surface</b>	50.0 Sq. Ft. / 4.65 Sq. M.	<b>Design Data</b>	Max. 160 psig & 250°F
<b>Water Volume</b>	3.6 gal / 13.6 Liters		

\* Add circulator amps.

\*\* For incoming gas pressures lower than 7"WC natural or 11"WC propane, consult factory.

## BOILER TEMPERATURE RISE / PRESSURE DROP

15°F / 8.3°C				20°F / 11.1°C				25°F / 13.9°C			
Flow Rate		Pressure Drop		Flow Rate		Pressure Drop		Flow Rate		Pressure Drop	
GPM	L/s	Ft	kPa	GPM	L/s	Ft	kPa	GPM	L/s	Ft	kPa
44.7	2.8	0.48	1.4	33.5	2.1	0.28	0.8	26.8	1.7	0.19	0.5

Dominator 400 model available as a Boiler only.

<b>REP FIRM</b>	_____
<b>SUBMITTED BY</b>	_____
<b>JOB NAME</b>	_____
<b>ARCHITECT</b>	_____
<b>ENGINEER</b>	_____
<b>CONTRACTOR</b>	_____
<b>DATE</b>	_____

# DOMINATOR 400

**Category I or Category III Appliance**  
(see Installation and Operation Manual for venting information)



A Division of Mestek, Inc.  
Westfield, MA 01085  
(413) 564-5515