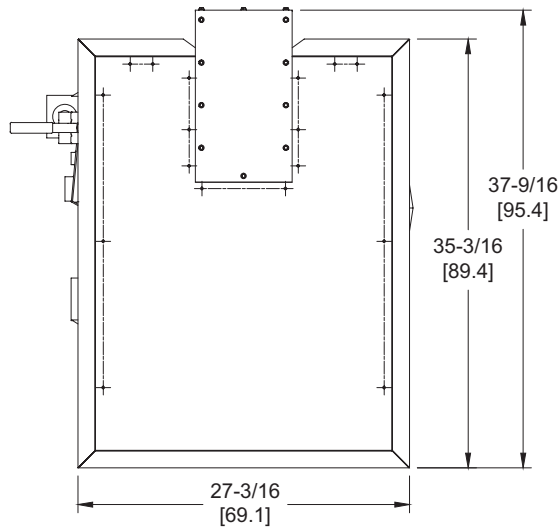


DOMINATOR 300

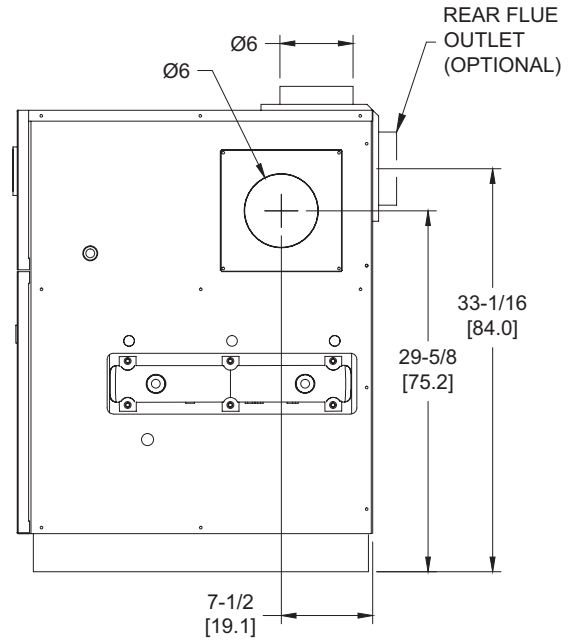
Category I or Category III Appliance
 (see Installation and Operation Manual for venting information)

CODE OPTIONS

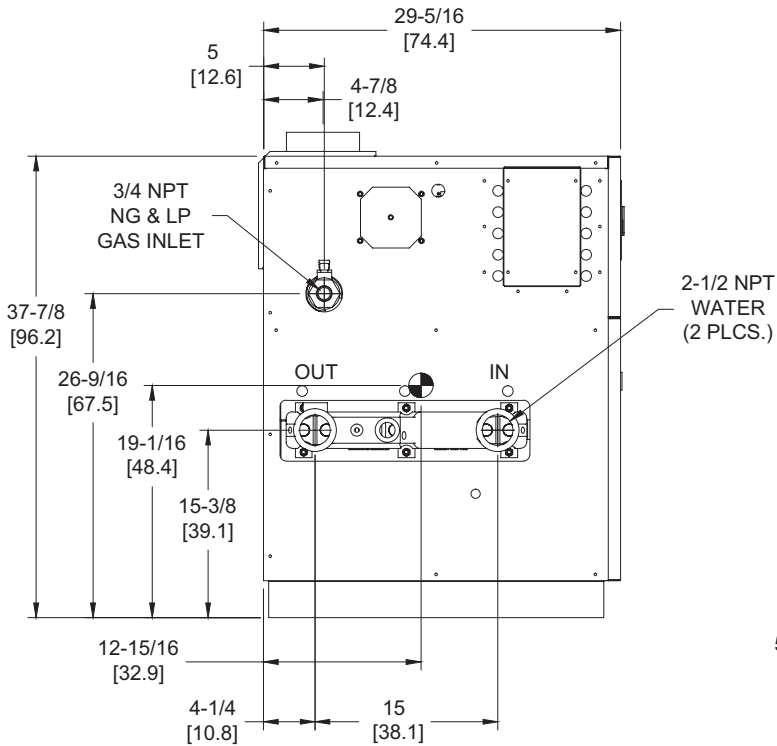
CSD-1	UTC Lockout/Reset Control Manual Reset LWCO
--------------	--



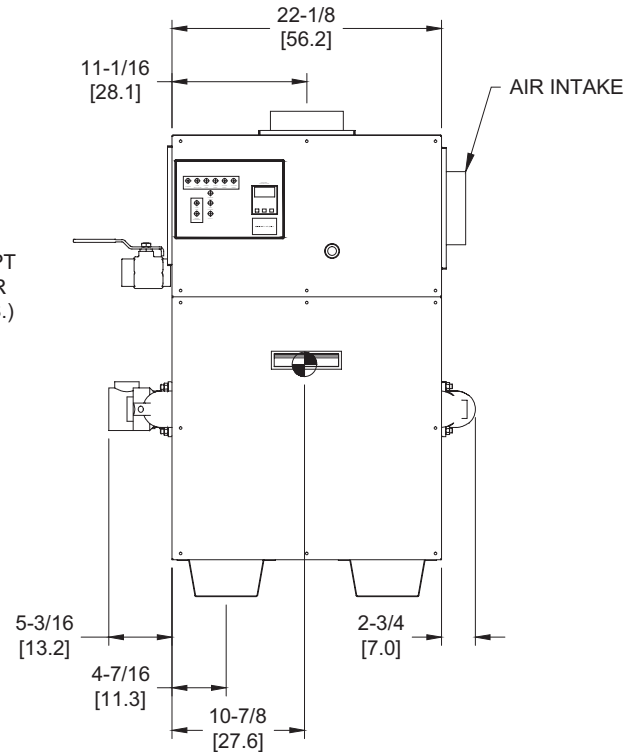
OUTDOOR TOP VIEW



RIGHT VIEW



LEFT VIEW



FRONT VIEW

RSUB-27-E

Notes:

1. Dimensions are approximate and should not be used to "rough-in" equipment.
2. Dimensions are subject to change without notice.
3. All dimensions are in inches (cm).
4. ● Symbol indicates center of gravity.

BOILER CERTIFIED RATINGS & CAPACITIES

Fuel Type	Natural/Propane Gas	Boiler FLA	3.8*
Input BTU/hr.	300,000 / 88 kW	Min. Gas Pressure Required	7" WC**
Output BTU/hr.	252,000 / 74 kW	Max. Gas Pressure Allowed	14" WC
Electrical Requirements	120VAC/ 1 ph/ 60 hz	Operating Weight	416 lbs. / 189 kg.

BOILER / WATER HEATER TRIM & CONTROLS

Main Gas Valve	Honeywell VR8304 3/4"	Pilot Valve	Honeywell VR8304
Firing Valve	Honeywell B200T1025 3/4"	Air Switch	Cleveland RSS-495
Ignition Control	UTC 1003-61A	Blower Motor	1/5 hp - FLA 3.0
High Limit	Honeywell L4008E	Relief Valve - DW	3/4" x 3/4" set @ 125 psi
		Relief Valve - DB	3/4" x 3/4" set @ 50 psi
		Flow Switch	TACO

A.S.M.E.

ASME Sect IV Htg Surface	38.0 Sq. Ft. / 3.53 Sq. M.	Design Data	Max. 160 psig & 250°F
Water Volume	3.5 gal / 13.2 Liters		

* Add circulator amps.

** For incoming gas pressures lower than 7" WC natural or 11" WC propane, consult factory.

BOILER TEMPERATURE RISE / PRESSURE DROP

15°F / 8.3°C				20°F / 11.1°C				25°F / 13.9°C			
Flow Rate		Pressure Drop		Flow Rate		Pressure Drop		Flow Rate		Pressure Drop	
GPM	L/s	Ft	kPa	GPM	L/s	Ft	kPa	GPM	L/s	Ft	kPa
33.6	2.1	0.21	0.6	25.2	1.6	0.13	0.4	20.2	1.3	0.08	0.2

WATER HEATER HOURLY RECOVERY CAPACITY (GPH & LPH)

40°F	22°C	60°F	33°C	80°F	44°C	100°F	56°C	120°F	67°C	140°F	78°C
720	2723	480	1815	360	1361	288	1089	240	908	206	778

REP FIRM _____
SUBMITTED BY _____
JOB NAME _____
ARCHITECT _____
ENGINEER _____
CONTRACTOR _____
DATE _____

DOMINATOR 300

Category I or Category III Appliance
(see Installation and Operation Manual for venting information)

RBI[®]
RELIABLE. BOLD. INNOVATIVE.

A Division of Mestek, Inc.
Westfield, MA 01085
(413) 564-5515