

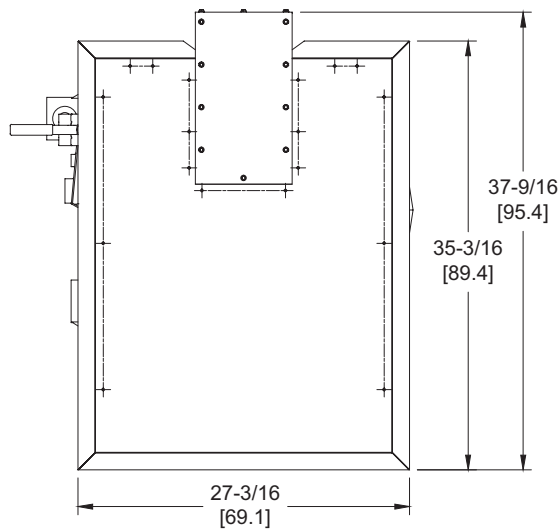
# DOMINATOR 300

Category I or Category III Appliance

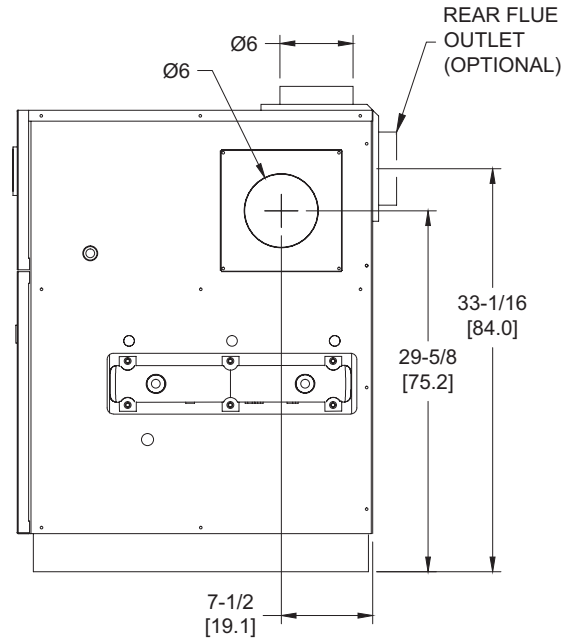
(see Installation and Operation Manual for venting information)

## CODE OPTIONS

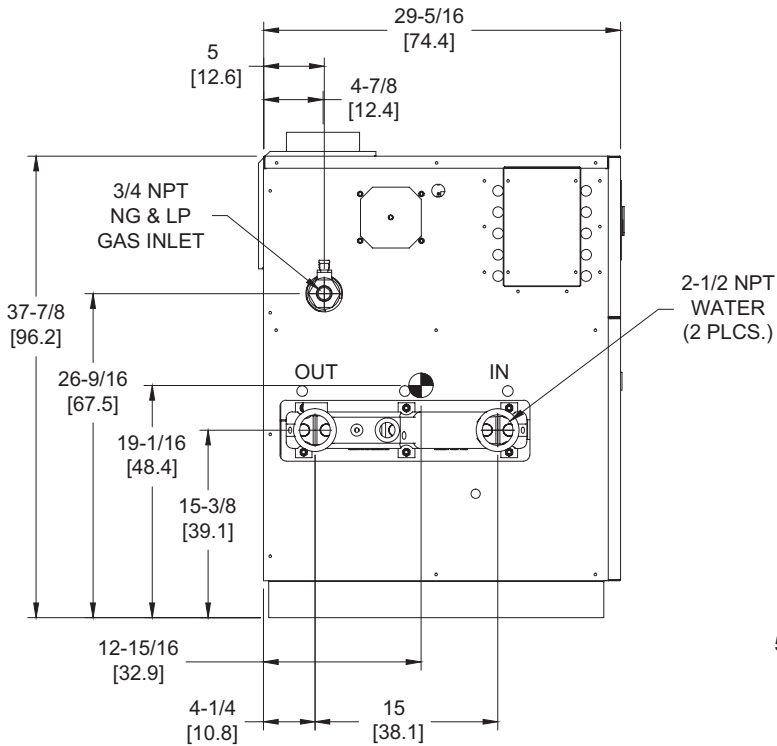
CSD-1	UTC Lockout/Reset Control Manual Reset LWCO
-------	--



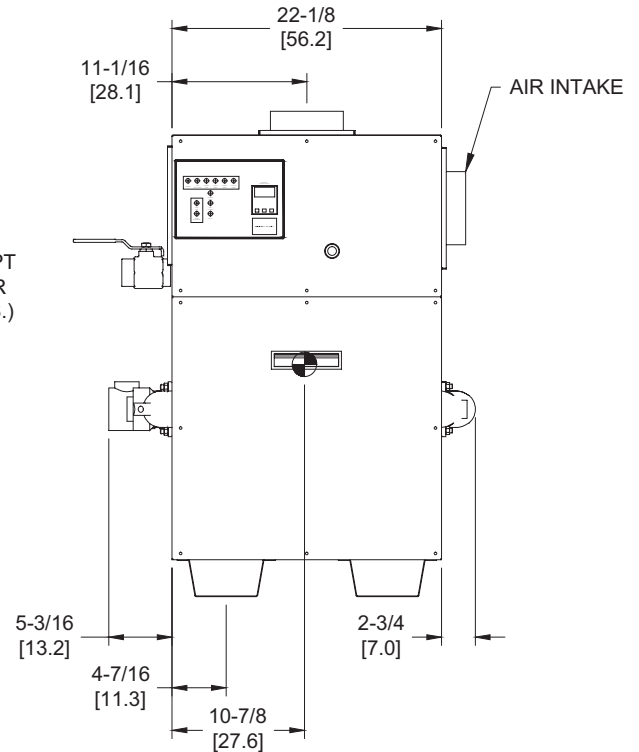
OUTDOOR TOP VIEW



RIGHT VIEW



LEFT VIEW



FRONT VIEW

RSUB-27-E

**Dominator 300 model water heater not available for sale in Canada due to NRCAN Regulations.**

### Notes:

1. Dimensions are approximate and should not be used to "rough-in" equipment.
2. Dimensions are subject to change without notice.
3. All dimensions are in inches (cm).
4. Symbol indicates center of gravity.

## BOILER CERTIFIED RATINGS & CAPACITIES

<b>Fuel Type</b>	Natural/Propane Gas	<b>Boiler FLA</b>	3.8*
<b>Input BTU/hr.</b>	300,000 / 88 kW	<b>Min. Gas Pressure Required</b>	7" WC**
<b>Output BTU/hr.</b>	252,000 / 74 kW	<b>Max. Gas Pressure Allowed</b>	14" WC
<b>Electrical Requirements</b>	120VAC/ 1 ph/ 60 hz	<b>Operating Weight</b>	416 lbs. / 189 kg.

## BOILER / WATER HEATER TRIM & CONTROLS

<b>Main Gas Valve</b>	Honeywell VR8304 3/4"	<b>Pilot Valve</b>	Honeywell VR8304
<b>Firing Valve</b>	Honeywell B200T1025 3/4"	<b>Air Switch</b>	Cleveland RSS-495
<b>Ignition Control</b>	UTC 1003-61A	<b>Blower Motor</b>	1/5 hp - FLA 3.0
<b>High Limit</b>	Honeywell L4008E	<b>Relief Valve - DW</b>	3/4" x 3/4" set @ 125 psi
		<b>Relief Valve - DB</b>	3/4" x 3/4" set @ 50 psi
		<b>Flow Switch</b>	TACO

## A.S.M.E.

<b>ASME Sect IV Htg Surface</b>	38.0 Sq. Ft. / 3.53 Sq. M.	<b>Design Data</b>	Max. 160 psig & 250°F
<b>Water Volume</b>	3.5 gal / 13.2 Liters		

\* Add circulator amps.

\*\* For incoming gas pressures lower than 7"WC natural or 11"WC propane, consult factory.

## BOILER TEMPERATURE RISE / PRESSURE DROP

15°F / 8.3°C				20°F / 11.1°C				25°F / 13.9°C			
Flow Rate		Pressure Drop		Flow Rate		Pressure Drop		Flow Rate		Pressure Drop	
GPM	L/s	Ft	kPa	GPM	L/s	Ft	kPa	GPM	L/s	Ft	kPa
33.6	2.1	0.21	0.6	25.2	1.6	0.13	0.4	20.2	1.3	0.08	0.2

## WATER HEATER HOURLY RECOVERY CAPACITY (GPH & LPH)

40°F	22°C	60°F	33°C	80°F	44°C	100°F	56°C	120°F	67°C	140°F	78°C
720	2723	480	1815	360	1361	288	1089	240	908	206	778

**Dominator 300 model water heater not available for sale in Canada due to NRCAN Regulations.**

<b>REP FIRM</b>	_____
<b>SUBMITTED BY</b>	_____
<b>JOB NAME</b>	_____
<b>ARCHITECT</b>	_____
<b>ENGINEER</b>	_____
<b>CONTRACTOR</b>	_____
<b>DATE</b>	_____

# DOMINATOR 300

**Category I or Category III Appliance**  
(see Installation and Operation Manual for venting information)



A Division of Mestek, Inc.  
Westfield, MA 01085  
(413) 564-5515