

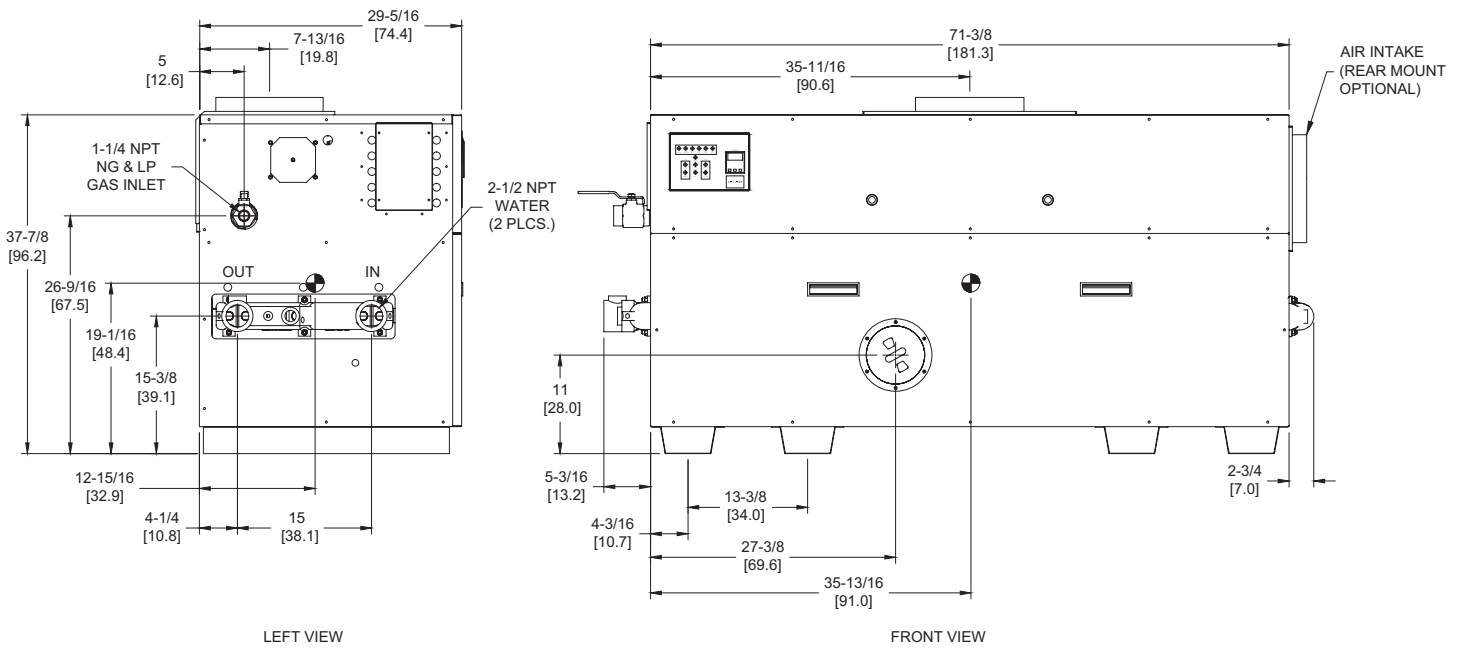
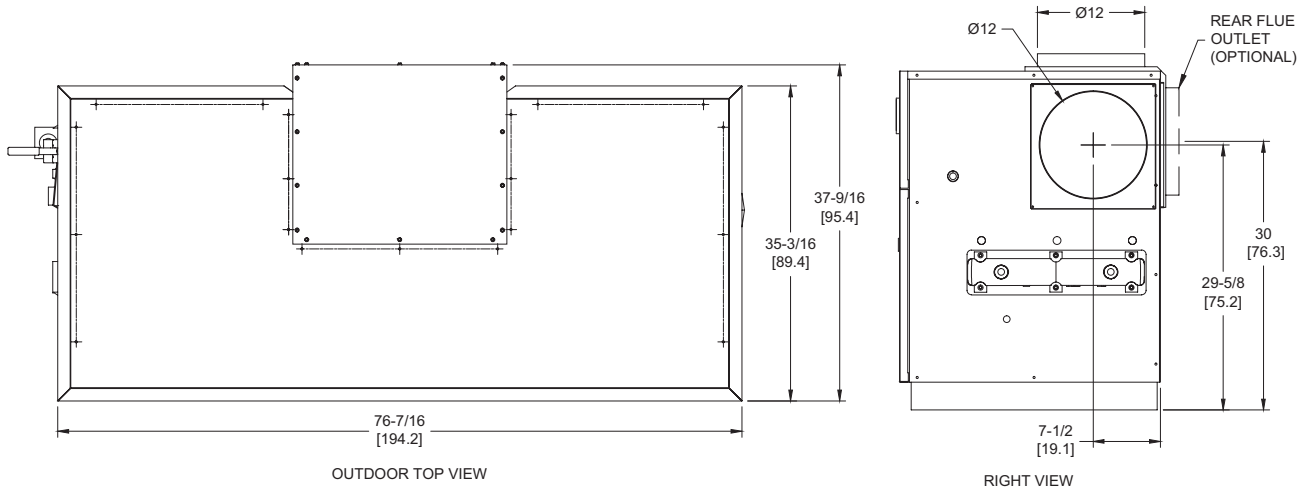
DOMINATOR 1350

Category I or Category III Appliance

(see Installation and Operation Manual for venting information)


CODE OPTIONS

CSD-1	UTC Lockout/Reset Control Manual Reset LWCO
--------------	--



RSUB-33-F

Notes:

1. Dimensions are approximate and should not be used to "rough-in" equipment.
2. Dimensions are subject to change without notice.
3. All dimensions are in inches (cm).
4.  Symbol indicates center of gravity.

SDOM-1350-8

BOILER CERTIFIED RATINGS & CAPACITIES

Fuel Type	Natural/Propane Gas	Boiler FLA	11.0*
Input BTU/hr.	1,350,000 / 396 kW	Min. Gas Pressure Required	7" WC**
Output BTU/hr.	1,147,500 / 336 kW	Max. Gas Pressure Allowed	14" WC
Electrical Requirements	120VAC/ 1 ph/ 60 hz	Operating Weight	805 lbs. / 365 kg.

BOILER / WATER HEATER TRIM & CONTROLS

Main Gas Valve	Honeywell (2) V8944 1"	Pilot Valve	Honeywell VR8205
Firing Valve	Honeywell (2) B200T1033 1"	Air Switch	Cleveland RSS-495
Safety Valve	ASCO L8214G 1-1/4"	Blower Motor	(2) 1/4 hp - FLA 10.2
Ignition Control	UTC 1003-61A	Relief Valve - DW	3/4" x 3/4" set @ 125 psi
Operating Control	Tekmar BTC-2PA	Relief Valve - DB	3/4" x 1" set @ 50 psi
Operating Control	Tekmar BTC-4PA	Flow Switch	TACO
High Limit	Honeywell L4008E		

A.S.M.E.

ASME Sect IV Htg Surface	136.0 Sq. Ft. / 12.63 Sq. M.	Design Data	Max. 160 psig & 250°F
Water Volume	4.8 gal / 18.2 Liters		

* Add circulator amps.

** For incoming gas pressures lower than 7" WC natural or 11" WC propane, consult factory.

BOILER TEMPERATURE RISE / PRESSURE DROP

20°F / 11.1°C				25°F / 13.9°C				30°F / 16.7°C				35°F / 19.4°C			
Flow Rate		Pressure Drop		Flow Rate		Pressure Drop		Flow Rate		Pressure Drop		Flow Rate		Pressure Drop	
GPM	L/s	Ft	kPa	GPM	L/s	Ft	kPa	GPM	L/s	Ft	kPa	GPM	L/s	Ft	kPa
114.8†	7.2†	7.15	21.1	91.8	5.8	4.73	13.9	76.5	4.8	3.38	9.9	65.6	4.1	2.54	7.5

† Flow exceeds recommended maximum use a greater temperature rise or consult manufacturer.
Cupronickel heat exchanger should be considered.

WATER HEATER HOURLY RECOVERY CAPACITY (GPH & LPH)

40°F	22°C	60°F	33°C	80°F	44°C	100°F	56°C	120°F	67°C	140°F	78°C
3339	12620	2226	8413	1669	6310	1335	5048	1113	4207	954	3606

REP FIRM _____
SUBMITTED BY _____
JOB NAME _____
ARCHITECT _____
ENGINEER _____
CONTRACTOR _____
DATE _____

DOMINATOR 1350

Category I or Category III Appliance
(see Installation and Operation Manual for venting information)

RBI®
RELIABLE. BOLD. INNOVATIVE.

A Division of Mestek, Inc.
Westfield, MA 01085
(413) 564-5515