

DOMINATOR 1050

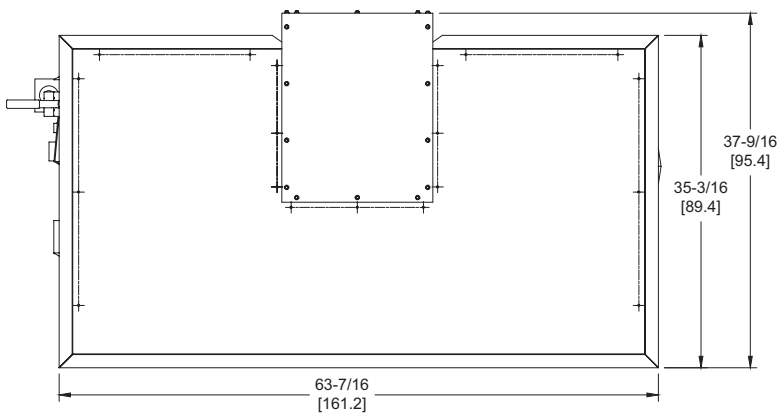
Category I or Category III Appliance

(see Installation and Operation Manual for venting information)

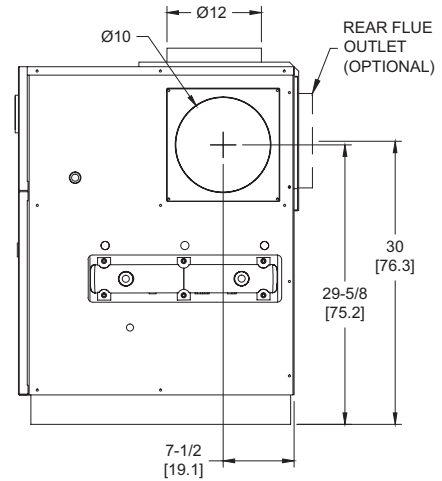
CODE OPTIONS

CSD-1

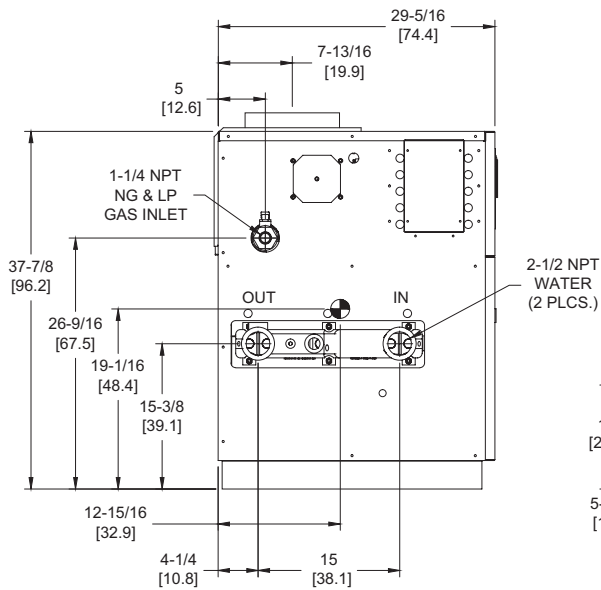
UTC Lockout/Reset Control
Manual Reset LWCO



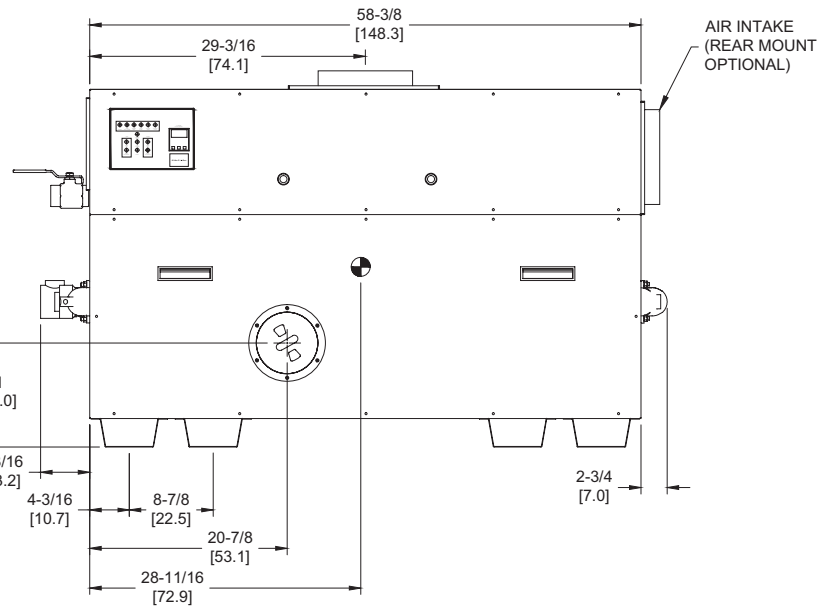
OUTDOOR TOP VIEW



RIGHT VIEW



LEFT VIEW



FRONT VIEW

RSUB-32-E

Dominator 1050 model water heater not available for sale in Canada due to NRCan Regulations.

Notes:

1. Dimensions are approximate and should not be used to "rough-in" equipment.
2. Dimensions are subject to change without notice.
3. All dimensions are in inches (cm).
4. ● Symbol indicates center of gravity.

SDOM-1050-10

BOILER CERTIFIED RATINGS & CAPACITIES

Fuel Type	Natural/Propane Gas	Boiler FLA	11.0*
Input BTU/hr.	1,050,000 / 308 kW	Min. Gas Pressure Required	7" WC**
Output BTU/hr.	882,000 / 258 kW	Max. Gas Pressure Allowed	14" WC
Electrical Requirements	120VAC/ 1 ph/ 60 hz	Operating Weight	772 lbs. / 350 kg.

BOILER / WATER HEATER TRIM & CONTROLS

Main Gas Valve	Honeywell (2) V8944 1"	Pilot Valve	Honeywell VR8205
Firing Valve	Honeywell (2) B200T1033 1"	Air Switch	Cleveland RSS-495
Safety Valve	ASCO L8214G 1-1/4"	Blower Motor	(2) 1/4 hp - FLA 10.2
Ignition Control	UTC 1003-61A	Relief Valve - DW	3/4" x 3/4" set @ 125 psi
Operating Control	Tekmar BTC-2PA	Relief Valve - DB	3/4" x 3/4" set @ 50 psi
Operating Control	Tekmar BTC-4PA	Flow Switch	TACO
High Limit	Honeywell L4008E		

A.S.M.E.

ASME Sect IV Htg Surface	110.0 Sq. Ft. / 10.22 Sq. M.	Design Data	Max. 160 psig & 250°F
Water Volume	4.4 gal / 16.8 Liters		

* Add circulator amps.

** For incoming gas pressures lower than 7"WC natural or 11"WC propane, consult factory.

BOILER TEMPERATURE RISE / PRESSURE DROP

20°F / 11.1°C				25°F / 13.9°C				30°F / 16.7°C				35°F / 19.4°C			
Flow Rate		Pressure Drop		Flow Rate		Pressure Drop		Flow Rate		Pressure Drop		Flow Rate		Pressure Drop	
GPM	L/s	Ft	kPa	GPM	L/s	Ft	kPa	GPM	L/s	Ft	kPa	GPM	L/s	Ft	kPa
88.2	5.6	3.57	10.5	70.6	4.5	2.36	7.0	58.8	3.7	1.68	5.0	50.4	3.2	1.27	3.7

WATER HEATER HOURLY RECOVERY CAPACITY (GPH & LPH)

40°F	22°C	60°F	33°C	80°F	44°C	100°F	56°C	120°F	67°C	140°F	78°C
2584	9768	1723	6512	1292	4884	1034	3907	861	3256	738	2791

Dominator 1050 model water heater not available for sale in Canada due to NRCan Regulations.

REP FIRM	_____
SUBMITTED BY	_____
JOB NAME	_____
ARCHITECT	_____
ENGINEER	_____
CONTRACTOR	_____
DATE	_____

DOMINATOR 1050

Category I or Category III Appliance
(see Installation and Operation Manual for venting information)



A Division of Mestek, Inc.
Westfield, MA 01085
(413) 564-5515