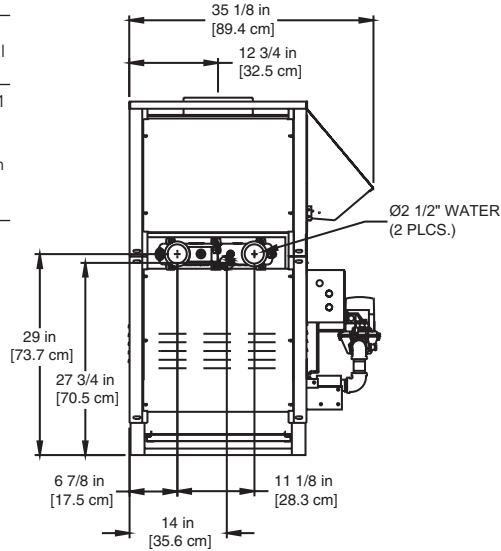
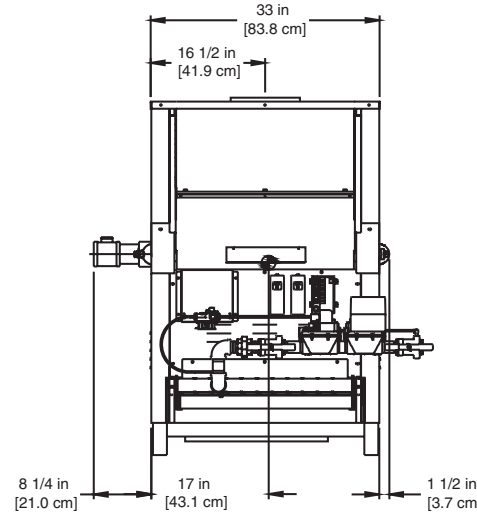


**CODE OPTIONS**

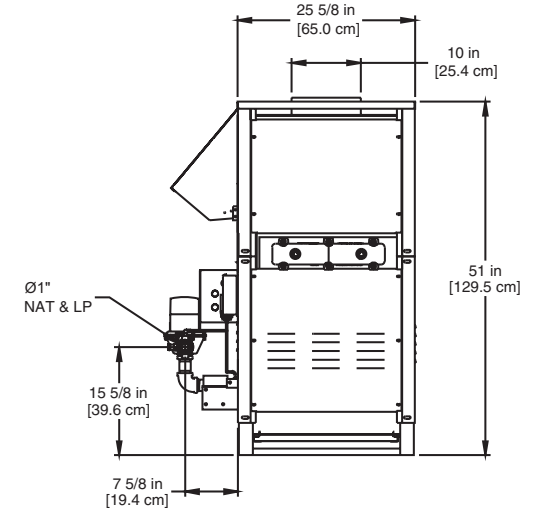
<b>CSD-1</b>	UTC 1003-616A Ignition Control UTC Lockout/Reset Control Manual Reset LWCO
<b>IRI</b>	IRI requirements as listed in IM.4.1.1 (two motorized safety valves with N.O.V.V. no longer applies to listed atmospheric gas boilers). The addition of CSD-1 option satisfies IRI requirement for the 8900 Series.



LEFT SIDE



FRONT



RIGHT SIDE

**Notes:**

1. Dimensions are approximate and should not be used to "rough-in" equipment.
2. Dimensions are subject to change without notice.

**BOILER CERTIFIED RATINGS & CAPACITIES**

<b>Fuel Type</b>	Natural/Propane Gas	<b>Boiler FLA</b>	1*
<b>Input BTU/hr.</b>	530,000 / 155 kW	<b>Min. Gas Pressure Required</b>	6" WC**
<b>Output BTU/hr.</b>	429,300 / 126 kW	<b>Max. Gas Pressure Allowed</b>	14" WC
<b>Electrical Requirements</b>	120VAC / 1 ph / 60 hz	<b>Operating Weight</b>	449 lbs. / 204 kg.

**BOILER TEMPERATURE RISE / PRESSURE DROP**

20°F / 11.1°C				25°F / 13.9°C			
Flow Rate		Pressure Drop		Flow Rate		Pressure Drop	
GPM	L/s	Ft	kPa	GPM	L/s	Ft	kPa
42.9	2.7	0.7	2.0	34.3	2.2	0.4	1.3

**BOILER / WATER HEATER TRIM & CONTROLS**

<b>Main Gas Valve</b>	Honeywell V8944B 1"	<b>High Limit (HB/HW)</b>	Honeywell L4008E
<b>Firing Valve</b>	Honeywell B200T1033 1"	<b>Ignition Control</b>	Honeywell S8610M
<b>Safety Valve</b>	Honeywell V88A 1"	<b>Solenoid Value w/Reg.</b>	CV100
<b>Operating Control (HB)</b>	Honeywell L4008A - On/Off	<b>Relief Valve - HW</b>	3/4" x 3/4" set @ 125 psi
<b>Operating Control (HW)</b>	Honeywell L6008A - On/Off	<b>Relief Valve - HB</b>	3/4" x 3/4" set @ 50 psi
<b>Operating Control (HB/HW)</b>	Honeywell L6008G - 2 Stage	<b>Flow Switch</b>	TACO
<b>Operating Control (HB/HW)</b>	Tekmar BTC- 4PA- 4 Stg.		

**WATER HEATER HOURLY RECOVERY CAPACITY**

40°F	22°C	60°F	33°C	80°F	44°C	100°F	56°C	120°F	67°C	140°F	78°C
1288	4877	859	3251	644	2439	515	1951	429	1626	368	1393

**A.S.M.E.**

<b>ASME Sect IV Htg Surface</b>	46.08 Sq. Ft. / 4.28 Sq. M.	<b>Design Data</b>	Max. 160 psig & 250°F
<b>Water Volume</b>	1.4 gal / 5.3 Liters		

\* Add circulator amps.

\*\* For incoming gas pressures lower than 6" WC natural or 11" WC propane, consult factory.

Supply and return pipe may have 2-1/2" x 2" reducing fitting installed.

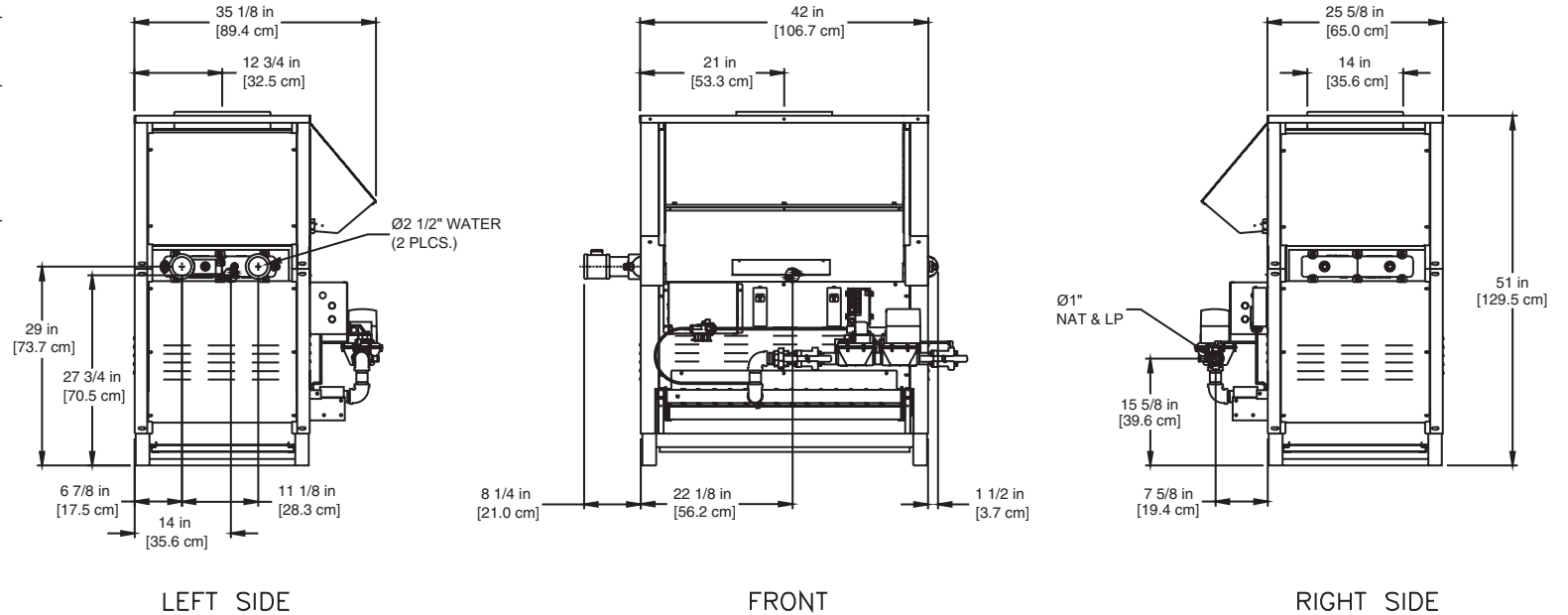
<b>REP FIRM</b>	_____	<h1 style="margin: 0;">8900 530</h1> <p style="margin: 0;"><b>Category I Appliance</b> Must be vented into a negative pressure vent system.</p>
<b>SUBMITTED BY</b>	_____	
<b>JOB NAME</b>	_____	
<b>ARCHITECT</b>	_____	
<b>ENGINEER</b>	_____	
<b>CONTRACTOR</b>	_____	
<b>DATE</b>	_____	 <b>RELIABLE. BOLD. INNOVATIVE.</b>

A Division of Mestek, Inc.  
Westfield, MA 01085  
(413) 568-9571

**8900 Series are not available for sale in the US and Canada markets due to DOE regulations.**

**CODE OPTIONS**

<b>CSD-1</b>	UTC 1003-616A Ignition Control UTC Lockout/Reset Control Manual Reset LWCO
<b>IRI</b>	IRI requirements as listed in IM.4.1.1 (two motorized safety valves with N.O.V.V. no longer applies to listed atmospheric gas boilers). The addition of CSD-1 option satisfies IRI requirement for the 8900 Series.



- Notes:**  
 1. Dimensions are approximate and should not be used to "rough-in" equipment.  
 2. Dimensions are subject to change without notice.

**BOILER CERTIFIED RATINGS & CAPACITIES**

<b>Fuel Type</b>	Natural/Propane Gas	<b>Boiler FLA</b>	1*
<b>Input BTU/hr.</b>	735,000 / 215 kW	<b>Min. Gas Pressure Required</b>	6" WC**
<b>Output BTU/hr.</b>	595,350 / 174 kW	<b>Max. Gas Pressure Allowed</b>	14" WC
<b>Electrical Requirements</b>	120VAC / 1 ph / 60 hz	<b>Operating Weight</b>	521 lbs. / 237 kg.

**BOILER TEMPERATURE RISE / PRESSURE DROP**

20°F / 11.1°C				25°F / 13.9°C				30°F / 16.7°C				35°F / 19.4°C			
Flow Rate		Pressure Drop		Flow Rate		Pressure Drop		Flow Rate		Pressure Drop		Flow Rate		Pressure Drop	
GPM	L/s	Ft	kPa	GPM	L/s	Ft	kPa	GPM	L/s	Ft	kPa	GPM	L/s	Ft	kPa
59.5	3.8	1.6	4.8	47.6	3.0	1.1	3.2	39.7	2.5	0.8	2.3	34.0	2.1	0.6	1.7

**BOILER / WATER HEATER TRIM & CONTROLS**

<b>Main Gas Valve</b>	Honeywell V8944B 1"	<b>High Limit (HB/HW)</b>	Honeywell L4008E
<b>Firing Valve</b>	Honeywell B200T1033 1"	<b>Ignition Control</b>	Honeywell S8610M
<b>Safety Valve</b>	Honeywell V88A 1"	<b>Solenoid Valve w/Reg.</b>	CV100
<b>Operating Control (HB)</b>	Honeywell L4008A - On/Off	<b>Relief Valve - HW</b>	3/4" x 3/4" set @ 125 psi
<b>Operating Control (HW)</b>	Honeywell L6008A - On/Off	<b>Relief Valve - HB</b>	3/4" x 3/4" set @ 50 psi
<b>Operating Control (HB/HW)</b>	Honeywell L6008G - 2 Stage	<b>Flow Switch</b>	TACO
<b>Operating Control (HB/HW)</b>	Tekmar BTC- 4PA- 4 Stg.		

**WATER HEATER HOURLY RECOVERY CAPACITY**

40°F	22°C	60°F	33°C	80°F	44°C	100°F	56°C	120°F	67°C	140°F	78°C
1787	6764	1191	4509	893	3382	715	2705	596	2255	511	1932

**A.S.M.E.**

<b>ASME Sect IV Htg Surface</b>	61.72 Sq. Ft. / 5.73 Sq. M.	<b>Design Data</b>	Max. 160 psig & 250°F
<b>Water Volume</b>	1.6 gal. / 6.1 Liters		

\* Add circulator amps.  
 \*\* For incoming gas pressures lower than 6" WC natural or 11" WC propane, consult factory.

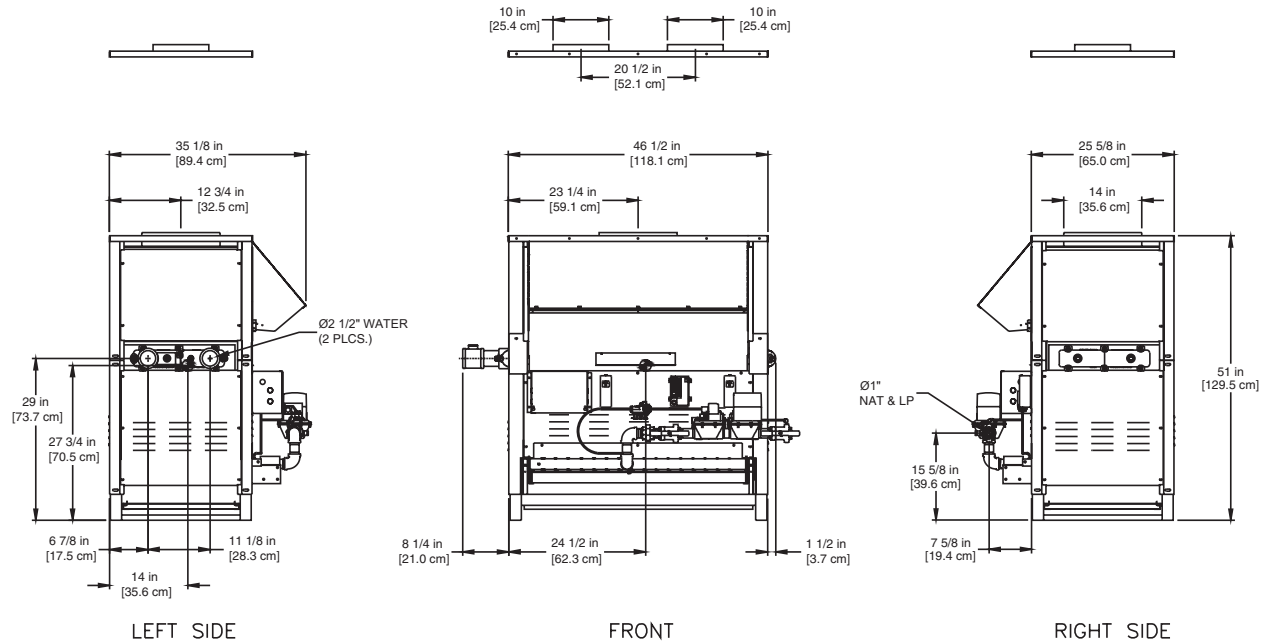
Supply and return pipe may have 2-1/2" x 2" reducing fitting installed.

**8900 Series are not available for sale in the US and Canada markets due to DOE regulations.**

<b>REP FIRM</b>	_____	<h1 style="margin: 0;">8900 735</h1> <p style="margin: 0;"><b>Category I Appliance</b></p> <p style="margin: 0;">Must be vented into a negative pressure vent system.</p> <div style="display: flex; align-items: center; justify-content: center;"> <div> <p style="margin: 0;">A Division of Mestek, Inc. Westfield, MA 01085 (413) 568-9571</p> </div> </div> <p style="margin: 0; font-size: small;">RELIABLE. BOLD. INNOVATIVE.</p>
<b>SUBMITTED BY</b>	_____	
<b>JOB NAME</b>	_____	
<b>ARCHITECT</b>	_____	
<b>ENGINEER</b>	_____	
<b>CONTRACTOR</b>	_____	
<b>DATE</b>	_____	

**CODE OPTIONS**

<b>CSD-1</b>	UTC 1003-616A Ignition Control UTC Lockout/Reset Control Manual Reset LWCO
<b>IRI</b>	IRI requirements as listed in IM.4.1.1 (two motorized safety valves with N.O.V.V. no longer applies to listed atmospheric gas boilers). The addition of CSD-1 option satisfies IRI requirement for the 8900 Series.



- Notes:**
1. Dimensions are approximate and should not be used to "rough-in" equipment.
  2. Dimensions are subject to change without notice.

**BOILER CERTIFIED RATINGS & CAPACITIES**

<b>Fuel Type</b>	Natural/Propane Gas	<b>Boiler FLA</b>	1*
<b>Input BTU/hr.</b>	840,000 / 246 kW	<b>Min. Gas Pressure Required</b>	6" WC**
<b>Output BTU/hr.</b>	680,400 / 199 kW	<b>Max. Gas Pressure Allowed</b>	14" WC
<b>Electrical Requirements</b>	120VAC / 1 ph / 60 hz	<b>Operating Weight</b>	567 lbs. / 257 kg.

**BOILER TEMPERATURE RISE / PRESSURE DROP**

20°F / 11.1°C				25°F / 13.9°C				30°F / 16.7°C				35°F / 19.4°C			
Flow Rate		Pressure Drop		Flow Rate		Pressure Drop		Flow Rate		Pressure Drop		Flow Rate		Pressure Drop	
GPM	L/s	Ft	kPa	GPM	L/s	Ft	kPa	GPM	L/s	Ft	kPa	GPM	L/s	Ft	kPa
68.0	4.3	2.4	7.0	54.4	3.4	1.6	4.6	45.4	2.9	1.1	3.3	38.9	2.5	0.8	2.5

**BOILER / WATER HEATER TRIM & CONTROLS**

<b>Main Gas Valve</b>	Honeywell V8944B 1"	<b>High Limit (HB/HW)</b>	Honeywell L4008E
<b>Firing Valve</b>	Honeywell B200T1033 1"	<b>Ignition Control</b>	Honeywell S8610M
<b>Safety Valve</b>	Honeywell V88A 1"	<b>Solenoid Value w/Reg.</b>	CV100
<b>Operating Control (HB)</b>	Honeywell L4008A - On/Off	<b>Relief Valve - HW</b>	3/4" x 3/4" set @ 125 psi
<b>Operating Control (HW)</b>	Honeywell L6008A - On/Off	<b>Relief Valve - HB</b>	3/4" x 3/4" set @ 50 psi
<b>Operating Control (HB/HW)</b>	Honeywell L6008G - 2 Stage	<b>Flow Switch</b>	TACO
<b>Operating Control (HB/HW)</b>	Tekmar BTC- 4PA- 4 Stg.		

**WATER HEATER HOURLY RECOVERY CAPACITY**

40°F	22°C	60°F	33°C	80°F	44°C	100°F	56°C	120°F	67°C	140°F	78°C
2042	7730	1361	5153	1021	3865	817	3092	681	2577	583	2209

**A.S.M.E.**

<b>ASME Sect IV Htg Surface</b>	69.55 Sq. Ft. / 6.46 Sq. M.	<b>Design Data</b>	Max. 160 psig & 250°F
<b>Water Volume</b>	1.7 gal / 6.4 Liters		

\* Add circulator amps.  
\*\* For incoming gas pressures lower than 6" WC natural or 11" WC propane, consult factory.

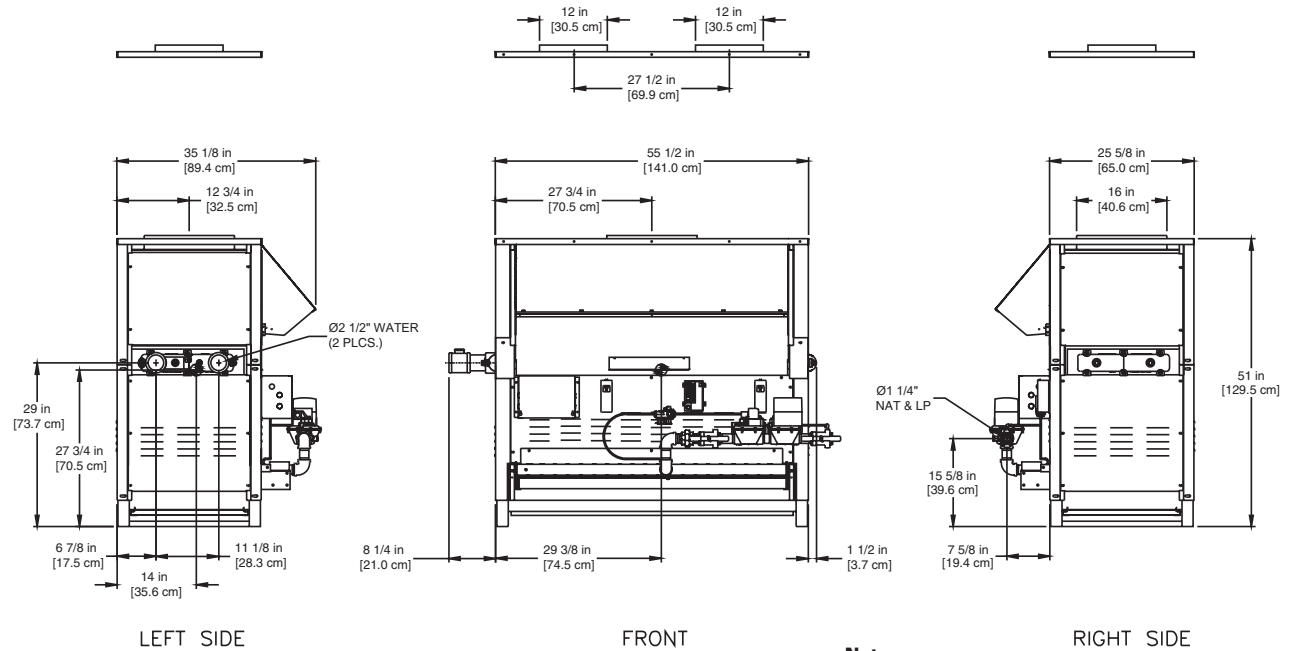
Supply and return pipe may have 2-1/2" x 2" reducing fitting installed.

<b>REP FIRM</b>	_____	<h1 style="margin: 0;">8900 840</h1> <p style="margin: 0;"><b>Category I Appliance</b> Must be vented into a negative pressure vent system.</p> <p style="margin: 0; font-size: small;">A Division of Mestek, Inc. Westfield, MA 01085 (413) 568-9571</p>
<b>SUBMITTED BY</b>	_____	
<b>JOB NAME</b>	_____	
<b>ARCHITECT</b>	_____	
<b>ENGINEER</b>	_____	
<b>CONTRACTOR</b>	_____	
<b>DATE</b>	_____	

**8900 Series are not available for sale in the US and Canada markets due to DOE regulations.**

**CODE OPTIONS**

<b>CSD-1</b>	UTC 1003-616A Ignition Control UTC Lockout/Reset Control Manual Reset LWCO
<b>IRI</b>	IRI requirements as listed in IM.4.1.1 (two motorized safety valves with N.O.V.V. no longer applies to listed atmospheric gas boilers). The addition of CSD-1 option satisfies IRI requirement for the 8900 Series.



**Notes:**

1. Dimensions are approximate and should not be used to "rough-in" equipment.
2. Dimensions are subject to change without notice.

**BOILER CERTIFIED RATINGS & CAPACITIES**

<b>Fuel Type</b>	Natural/Propane Gas	<b>Boiler FLA</b>	1*
<b>Input BTU/hr.</b>	1,050,000 / 308 kW	<b>Min. Gas Pressure Required</b>	6" WC**
<b>Output BTU/hr.</b>	850,500 / 249 kW	<b>Max. Gas Pressure Allowed</b>	14" WC
<b>Electrical Requirements</b>	120VAC / 1 ph / 60 hz	<b>Operating Weight</b>	656 lbs. / 298 kg.

**BOILER TEMPERATURE RISE / PRESSURE DROP**

20°F / 11.1°C				25°F / 13.9°C				30°F / 16.7°C				35°F / 19.4°C			
Flow Rate		Pressure Drop		Flow Rate		Pressure Drop		Flow Rate		Pressure Drop		Flow Rate		Pressure Drop	
GPM	L/s	Ft	kPa	GPM	L/s	Ft	kPa	GPM	L/s	Ft	kPa	GPM	L/s	Ft	kPa
85.1	5.4	4.4	12.9	68.0	4.3	2.9	8.6	56.7	3.6	2.1	6.1	48.6	3.1	1.6	4.6

**BOILER / WATER HEATER TRIM & CONTROLS**

<b>Main Gas Valve</b>	Honeywell V8944B 1-1/4"	<b>High Limit (HB/HW)</b>	Honeywell L4008E
<b>Firing Valve</b>	Honeywell B200T1041 1-1/4"	<b>Ignition Control</b>	Honeywell S8610M
<b>Safety Valve</b>	Honeywell V88A 1-1/4"	<b>Solenoid Valve w/Reg.</b>	CV100
<b>Operating Control (HB)</b>	Honeywell L4008A - On/Off	<b>Relief Valve - HW</b>	3/4" x 3/4" set @ 125 psi
<b>Operating Control (HW)</b>	Honeywell L6008A - On/Off	<b>Relief Valve - HB</b>	3/4" x 3/4" set @ 50 psi
<b>Operating Control (HB/HW)</b>	Honeywell L6008G - 2 Stage	<b>Flow Switch</b>	TACO
<b>Operating Control (HB/HW)</b>	Tekmar BTC- 4PA- 4 Stg.		

**WATER HEATER HOURLY RECOVERY CAPACITY**

40°F	22°C	60°F	33°C	80°F	44°C	100°F	56°C	120°F	67°C	140°F	78°C
2553	9662	1702	6442	1276	4831	1021	3865	851	3221	729	2761

**A.S.M.E.**

<b>ASME Sect IV Htg Surface</b>	85.19 Sq. Ft. / 7.91 Sq. M.	<b>Design Data</b>	Max. 160 psig & 250°F
<b>Water Volume</b>	1.9 gal / 7.2 Liters		

\* Add circulator amps.

\*\* For incoming gas pressures lower than 6" WC natural or 11" WC propane, consult factory.

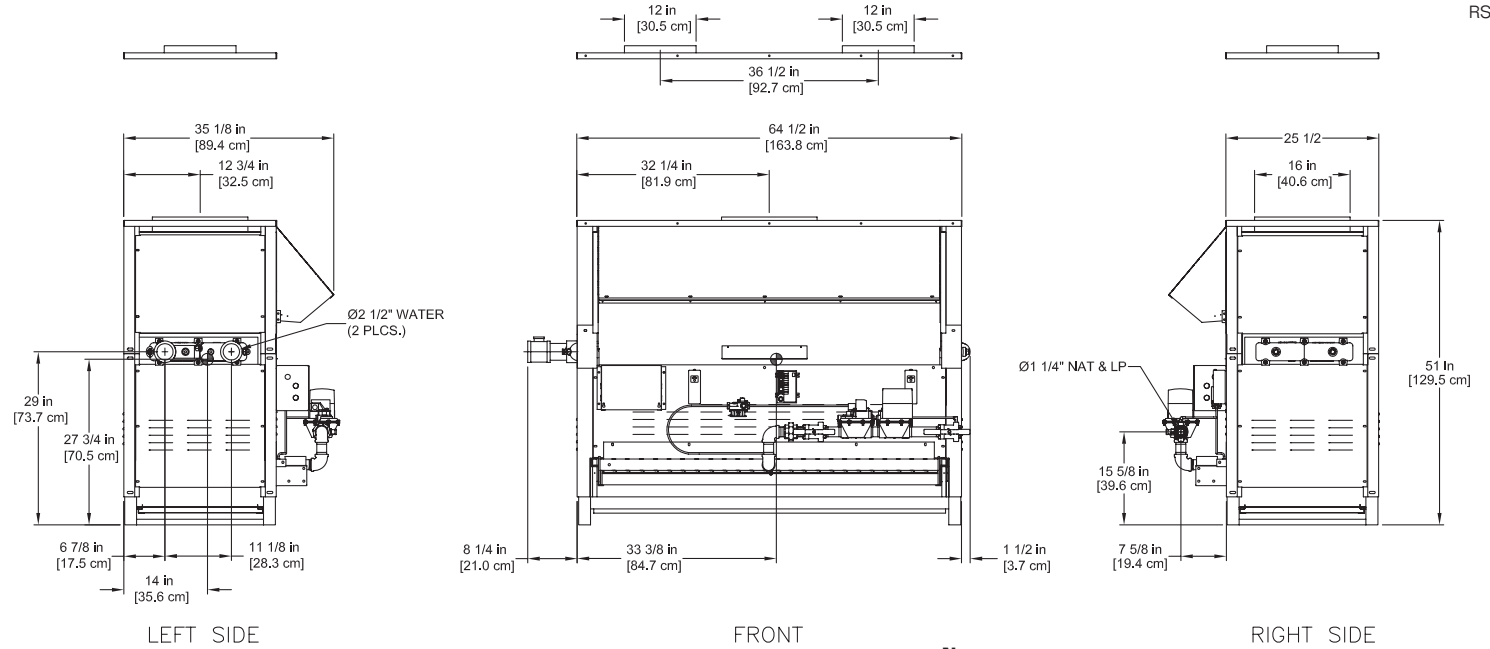
Supply and return pipe may have 2-1/2" x 2" reducing fitting installed.

<b>REP FIRM</b>	_____	<h1 style="margin: 0;">8900 1050</h1> <p style="margin: 0;"><b>Category I Appliance</b> Must be vented into a negative pressure vent system.</p> <p style="margin: 0; font-size: small;">RELIABLE. BOLD. INNOVATIVE.</p>
<b>SUBMITTED BY</b>	_____	
<b>JOB NAME</b>	_____	
<b>ARCHITECT</b>	_____	
<b>ENGINEER</b>	_____	
<b>CONTRACTOR</b>	_____	
<b>DATE</b>	_____	<p>A Division of Mestek, Inc. Westfield, MA 01085 (413) 568-9571</p>

**8900 Series are not available for sale in the US and Canada markets due to DOE regulations.**

**CODE OPTIONS**

<b>CSD-1</b>	UTC 1003-616A Ignition Control UTC Lockout/Reset Control Manual Reset LWCO
<b>IRI</b>	IRI requirements as listed in IM.4.1.1 (two motorized safety valves with N.O.V.V. no longer applies to listed atmospheric gas boilers). The addition of CSD-1 option satisfies IRI requirement for the 8900 Series.



- Notes:**
1. Dimensions are approximate and should not be used to "rough-in" equipment.
  2. Dimensions are subject to change without notice.

**BOILER CERTIFIED RATINGS & CAPACITIES**

<b>Fuel Type</b>	Natural/Propane Gas	<b>Boiler FLA</b>	1*
<b>Input BTU/hr.</b>	1,260,000 / 369 kW	<b>Min. Gas Pressure Required</b>	6" WC**
<b>Output BTU/hr.</b>	1,020,600 / 299 kW	<b>Max. Gas Pressure Allowed</b>	14" WC
<b>Electrical Requirements</b>	120VAC / 1 ph / 60 hz	<b>Operating Weight</b>	730 lbs. / 331 kg.

**BOILER TEMPERATURE RISE / PRESSURE DROP**

25°F / 13.9°C				30°F / 16.7°C				35°F / 19.4°C			
Flow Rate		Pressure Drop		Flow Rate		Pressure Drop		Flow Rate		Pressure Drop	
GPM	L/s	Ft	kPa	GPM	L/s	Ft	kPa	GPM	L/s	Ft	kPa
81.6	5.2	4.8	14.2	68.0	4.3	3.4	10.1	58.3	3.7	2.6	7.6

**BOILER / WATER HEATER TRIM & CONTROLS**

<b>Main Gas Valve</b>	Honeywell V8944B 1-1/4"	<b>High Limit (HB/HW)</b>	Honeywell L4008E
<b>Firing Valve</b>	Honeywell B200T1041 1-1/4"	<b>Ignition Control</b>	Honeywell S8610M
<b>Safety Valve</b>	Honeywell V88A 1-1/4"	<b>Solenoid Valve w/Reg.</b>	CV100
<b>Operating Control (HB)</b>	Honeywell L4008A - On/Off	<b>Relief Valve - HW</b>	3/4" x 3/4" set @ 125 psi
<b>Operating Control (HW)</b>	Honeywell L6008A - On/Off	<b>Relief Valve - HB</b>	3/4" x 1" set @ 50 psi
<b>Operating Control (HB/HW)</b>	Honeywell L6008G - 2 Stage	<b>Flow Switch</b>	TACO
<b>Operating Control (HB/HW)</b>	Tekmar BTC- 4PA- 4 Stg.		

**WATER HEATER HOURLY RECOVERY CAPACITY**

40°F	22°C	60°F	33°C	80°F	44°C	100°F	56°C	120°F	67°C	140°F	78°C
3063	11595	2042	7730	1532	5797	1225	4638	1021	3865	875	3313

**A.S.M.E.**

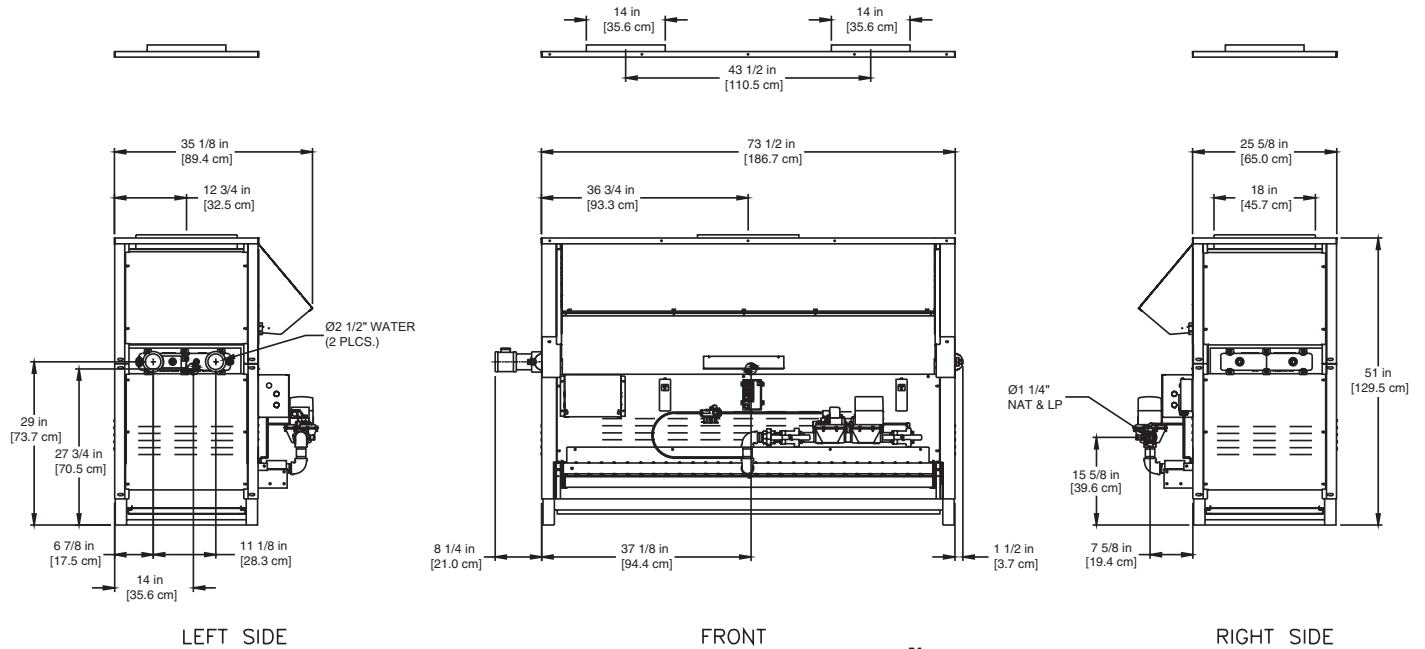
<b>ASME Sect IV Htg Surface</b>	100.85 Sq. Ft. / 9.37 Sq. M.	<b>Design Data</b>	Max. 160 psig & 250°F
<b>Water Volume</b>	2.1 gal / 7.9 Liters		

\* Add circulator amps.  
\*\* For incoming gas pressures lower than 6" WC natural or 11" WC propane, consult factory.

<b>REP FIRM</b>	_____	<h1 style="margin: 0;">8900 1260</h1> <p style="margin: 0;"><b>Category I Appliance</b> Must be vented into a negative pressure vent system.</p> <p style="margin: 0; font-size: small;">A Division of Mestek, Inc. Westfield, MA 01085 (413) 568-9571</p>
<b>SUBMITTED BY</b>	_____	
<b>JOB NAME</b>	_____	
<b>ARCHITECT</b>	_____	
<b>ENGINEER</b>	_____	
<b>CONTRACTOR</b>	_____	
<b>DATE</b>	_____	

**CODE OPTIONS**

<b>CSD-1</b>	UTC 1003-616A Ignition Control UTC Lockout/Reset Control Manual Reset LWCO
<b>IRI</b>	IRI requirements as listed in IM.4.1.1 (two motorized safety valves with N.O.V.V. no longer applies to listed atmospheric gas boilers). The addition of CSD-1 option satisfies IRI requirement for the 8900 Series.



- Notes:**  
 1. Dimensions are approximate and should not be used to "rough-in" equipment.  
 2. Dimensions are subject to change without notice.

**BOILER CERTIFIED RATINGS & CAPACITIES**

<b>Fuel Type</b>	Natural/Propane Gas	<b>Boiler FLA</b>	1*
<b>Input BTU/hr.</b>	1,470,000 / 431 kW	<b>Min. Gas Pressure Required</b>	6" WC**
<b>Output BTU/hr.</b>	1,190,700 / 349 kW	<b>Max. Gas Pressure Allowed</b>	14" WC
<b>Electrical Requirements</b>	120VAC / 1 ph / 60 hz	<b>Operating Weight</b>	765 lbs. / 347 kg.

**BOILER TEMPERATURE RISE / PRESSURE DROP**

25°F / 13.9°C				30°F / 16.7°C				35°F / 19.4°C			
Flow Rate		Pressure Drop		Flow Rate		Pressure Drop		Flow Rate		Pressure Drop	
GPM	L/s	Ft	kPa	GPM	L/s	Ft	kPa	GPM	L/s	Ft	kPa
95.3†	6.0†	7.4	21.8	79.4	5.0	5.3	15.6	68.0	4.3	4.0	11.7

† Flow exceeds recommended maximum use a greater temperature rise or consult manufacturer. Cupronickel heat exchanger should be considered.

**BOILER / WATER HEATER TRIM & CONTROLS**

<b>Main Gas Valve</b>	Honeywell V8944B 1-1/4"	<b>High Limit (HB/HW)</b>	Honeywell L4008E
<b>Firing Valve</b>	Honeywell B200T1041 1-1/4"	<b>Ignition Control</b>	Honeywell S8610M
<b>Safety Valve</b>	Honeywell V88A 1-1/4"	<b>Solenoid Valve w/Reg.</b>	CV100
<b>Operating Control (HB)</b>	Honeywell L4008A - On/Off	<b>Relief Valve - HW</b>	3/4" x 3/4" set @ 125 psi
<b>Operating Control (HW)</b>	Honeywell L6008A - On/Off	<b>Relief Valve - HB</b>	3/4" x 1" set @ 50 psi
<b>Operating Control (HB/HW)</b>	Honeywell L6008G - 2 Stage	<b>Flow Switch</b>	TACO
<b>Operating Control (HB/HW)</b>	Tekmar BTC- 4PA- 4 Stg.		

**WATER HEATER HOURLY RECOVERY CAPACITY**

40°F	22°C	60°F	33°C	80°F	44°C	100°F	56°C	120°F	67°C	140°F	78°C
3574	13527	2382	9018	1787	6764	1429	5411	1191	4509	1021	3865

**A.S.M.E.**

<b>ASME Sect IV Htg Surface</b>	116.49 Sq. Ft. / 10.82 Sq. M.	<b>Design Data</b>	Max. 160 psig & 250°F
<b>Water Volume</b>	2.3 gal. / 8.7 Liters		

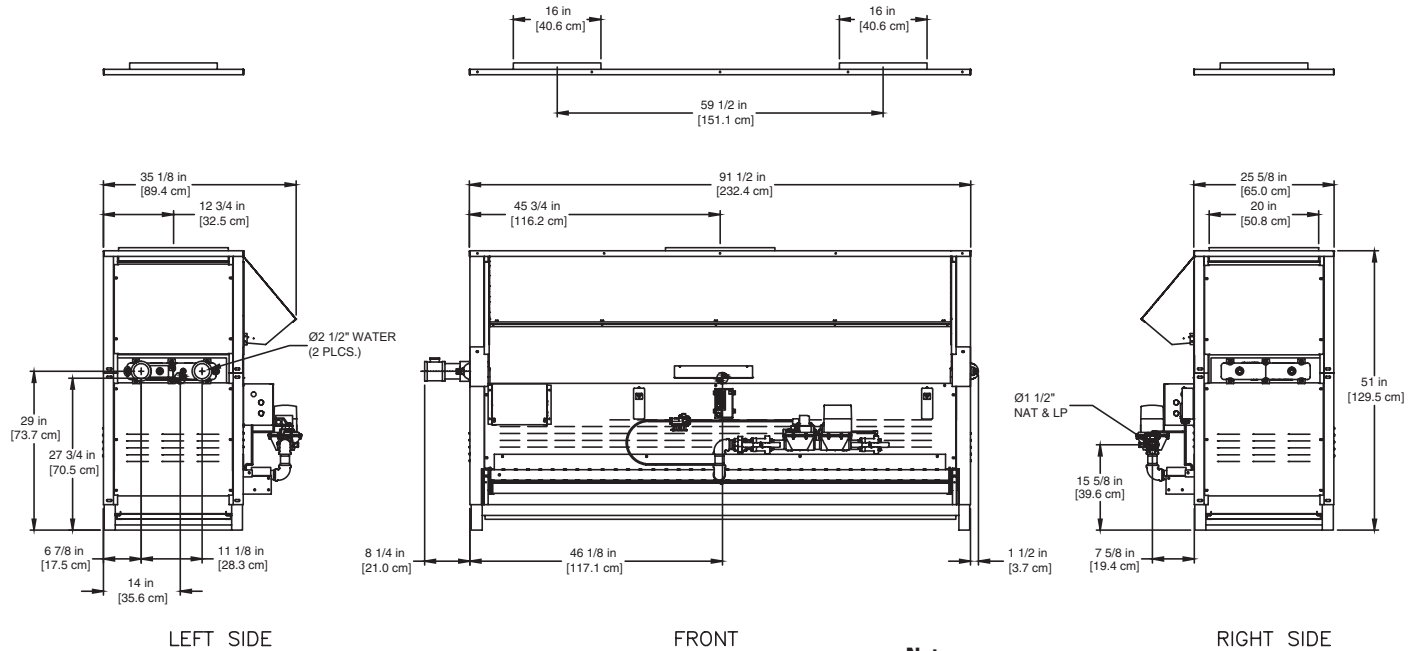
\* Add circulator amps.  
 \*\* For incoming gas pressures lower than 6" WC natural or 11" WC propane, consult factory.

<b>REP FIRM</b>	_____	<h1 style="margin: 0;">8900 1470</h1> <p style="margin: 0;"><b>Category I Appliance</b> Must be vented into a negative pressure vent system.</p> <p style="margin: 0;"><b>RBI</b>® A Division of Mestek, Inc. Westfield, MA 01085 (413) 568-9571</p>
<b>SUBMITTED BY</b>	_____	
<b>JOB NAME</b>	_____	
<b>ARCHITECT</b>	_____	
<b>ENGINEER</b>	_____	
<b>CONTRACTOR</b>	_____	
<b>DATE</b>	_____	

**8900 Series are not available for sale in the US and Canada markets due to DOE regulations.**

**CODE OPTIONS**

<b>CSD-1</b>	UTC 1003-616A Ignition Control UTC Lockout/Reset Control Manual Reset LWCO
<b>IRI</b>	IRI requirements as listed in IM.4.1.1 (two motorized safety valves with N.O.V.V. no longer applies to listed atmospheric gas boilers). The addition of CSD-1 option satisfies IRI requirement for the 8900 Series.



**Notes:**

1. Dimensions are approximate and should not be used to "rough-in" equipment.
2. Dimensions are subject to change without notice.

**BOILER CERTIFIED RATINGS & CAPACITIES**

<b>Fuel Type</b>	Natural/Propane Gas	<b>Boiler FLA</b>	1*
<b>Input BTU/hr.</b>	1,900,000 / 557 kW	<b>Min. Gas Pressure Required</b>	6" WC**
<b>Output BTU/hr.</b>	1,539,000 / 451 kW	<b>Max. Gas Pressure Allowed</b>	14" WC
<b>Electrical Requirements</b>	120VAC / 1 ph / 60 hz	<b>Operating Weight</b>	923 lbs. / 419 kg.

**BOILER TEMPERATURE RISE / PRESSURE DROP**

35°F / 19.4°C			
Flow Rate		Pressure Drop	
GPM	L/s	Ft	kPa
87.9	5.5	8.1	23.9

**BOILER / WATER HEATER TRIM & CONTROLS**

<b>Main Gas Valve</b>	Honeywell V8944B 1-1/2"	<b>High Limit (HB/HW)</b>	Honeywell L4008E
<b>Firing Valve</b>	Honeywell B200T1058 1-1/2"	<b>Ignition Control</b>	Honeywell S8610M
<b>Safety Valve</b>	Honeywell V88A 1-1/2"	<b>Solenoid Valve w/Reg.</b>	CV100
<b>Operating Control (HB)</b>	Honeywell L4008A - On/Off	<b>Relief Valve - HW</b>	3/4" x 3/4" set @ 125 psi
<b>Operating Control (HW)</b>	Honeywell L6008A - On/Off	<b>Relief Valve - HB</b>	1" x 1-1/4" set @ 50 psi
<b>Operating Control (HB/HW)</b>	Honeywell L6008G - 2 Stage	<b>Flow Switch</b>	TACO
<b>Operating Control (HB/HW)</b>	Tekmar BTC- 4PA- 4 Stg.		

**WATER HEATER HOURLY RECOVERY CAPACITY**

40°F	22°C	60°F	33°C	80°F	44°C	100°F	56°C	120°F	67°C	140°F	78°C
4619	17484	3079	11656	2309	8742	1848	6994	1540	5828	1320	4996

**A.S.M.E.**

<b>ASME Sect IV Htg Surface</b>	147.79 Sq. Ft. / 13.73 Sq. M.	<b>Design Data</b>	Max. 160 psig & 250°F
<b>Water Volume</b>	2.7 gal / 10.2 Liters		

\* Add circulator amps.

\*\* For incoming gas pressures lower than 6" WC natural or 11" WC propane, consult factory.

<b>REP FIRM</b>	_____	<h1 style="margin: 0;">8900 1900</h1> <p style="margin: 0;"><b>Category I Appliance</b></p> <p style="margin: 0;">Must be vented into a negative pressure vent system.</p> <div style="display: flex; align-items: center; justify-content: center;"> <div> <p style="margin: 0;">A Division of Mestek, Inc.</p> <p style="margin: 0;">Westfield, MA 01085</p> <p style="margin: 0;">(413) 568-9571</p> </div> </div> <p style="margin: 0; font-size: small;">RELIABLE. BOLD. INNOVATIVE.</p>
<b>SUBMITTED BY</b>	_____	
<b>JOB NAME</b>	_____	
<b>ARCHITECT</b>	_____	
<b>ENGINEER</b>	_____	
<b>CONTRACTOR</b>	_____	
<b>DATE</b>	_____	