

AS4I45HE

STANDARD MATERIALS AND CONSTRUCTION

FRAME: .081" thick (nominal) extruded aluminum 6063-T52/T6 alloy.

BLADE: .081" thick (nominal) extruded aluminum 6063-T52/T6 alloy. Available as .125" thick (nominal). Blades positioned at 45° angle, spaced approximately 4" on centers with architectural hidden mullions.

SUPPORTS: Incorporated rear angle 2" x 2" x 1/4" extruded aluminum blade support to withstand windload of 20 PSF, approximately 90 mph wind. Supports vary as required, per wind load. Spaced on 60" centers.

FINISH: Mill

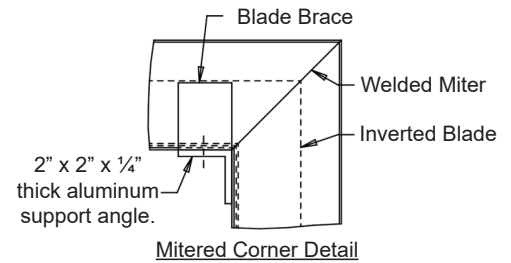
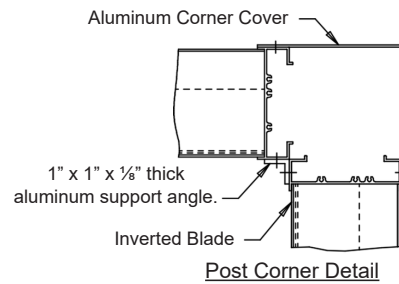
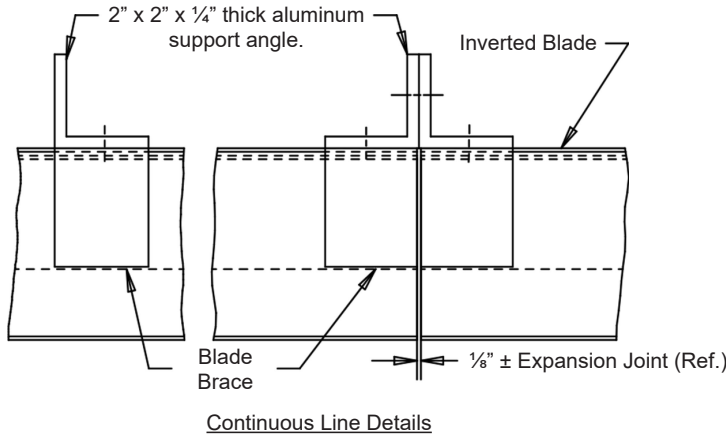
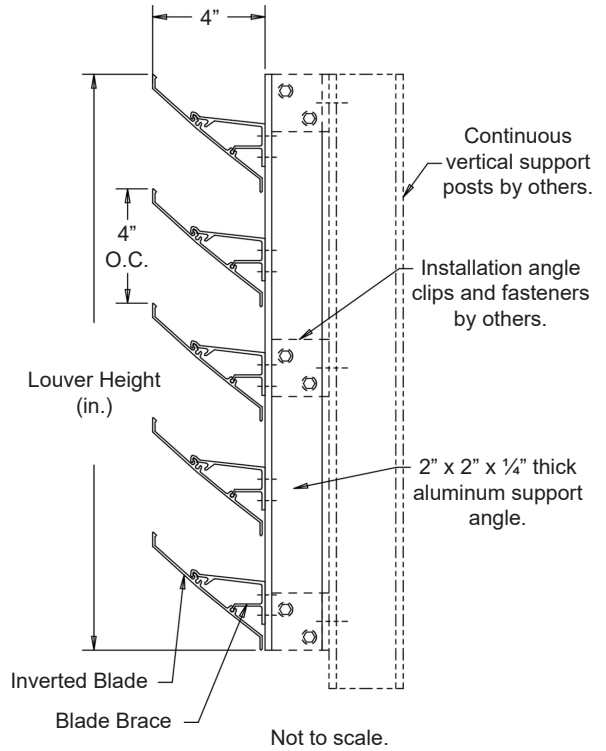
OPTIONS

Variations - Mitered Corner, Post Corner, Hinged Access, and Cap Covers.

Finishes - Kynar, Baked Enamel, Clear and Color Anodize (Consult the factory for details.)


NOTES

1. Maximum size should not exceed 60 sq. ft. or 120"W x 72"H. Louver sections larger than the factory maximum size will require field assembly of smaller sections.
2. Approximate shipping weight is 4.5 lbs./sq.ft.



Nominal Deductions will be made to the opening size given.

In the interest of product development, Airline Louvers reserves the right to make changes without notice.

								
Item #	Qty	Height	Width	Mullion	Mitered	Post	Corner Type	
		Screen Size			Job:			
Arch. / Eng. :				EDR:	ECN:			
Contractor:				Date:	DWN:	DWG:		
Project:								