

AS26G45VCL

STANDARD MATERIALS AND CONSTRUCTION

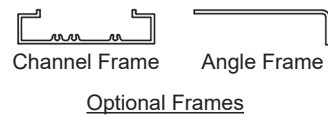
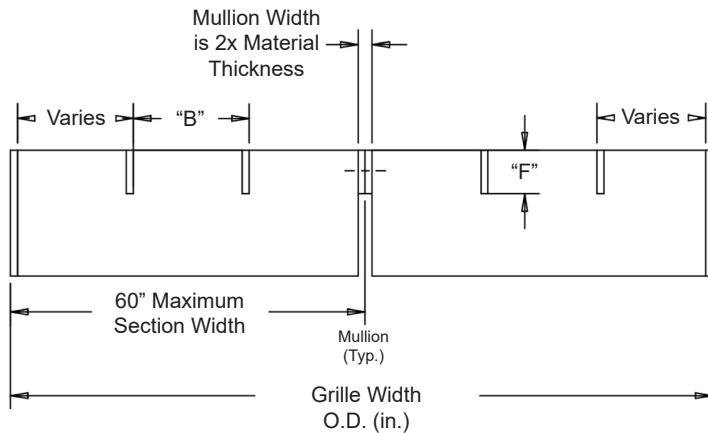
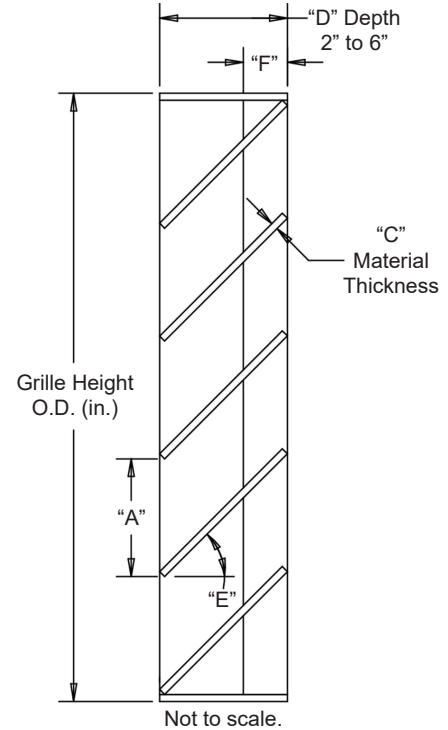
- FRAME:** .125" to .250" thick (nominal) extruded aluminum 6063-T52/T6 alloy.
Grille depth can be 2" to 6" deep.
- BLADE:** .125" to .250" thick (nominal) extruded aluminum 6063-T52/T6 alloy.
Blades can have 2" to 12" vertical and horizontal spacing and horizontal blade angle from 0° to 45°.
- CONSTRUCTION:** All welded construction.
- FINISH:** Factory mill.

OPTIONS

Finishes - Kynar, Baked Enamel, Clear and Color Anodize

GRILLE SCREEN SIZES


Min Panel	Max Single Panel
12"W x 12"H	60"W x 96"H (40 sq.ft.)



- "A" = 2" to 12" (Horizontal Blade Spacing)
- "B" = 2" to 12" (Vertical Blade Spacing)
- "C" = .125" to .250" (Material Thickness)
- "D" = 2" to 6" (Grille Depth)
- "E" = 0° to 45° (Blade Angle)
- "F" = 1" minimum (Vertical Blade Depth)

Nominal Deductions will be made to the opening size given.

In the interest of product development, Airline Louvers reserves the right to make changes without notice.

								
Item #	Qty	Horizontal	Vertical	Grille Depth	Material Thickness	Blade Angle	Union Made	
		Blade Spacing						
Arch. / Eng. :				EDR:	ECN:	Job:		
Contractor:								
Project:				Date:	DWN:	DWG:		