

# AS26G45V3CL

**STANDARD MATERIALS AND CONSTRUCTION**

**FRAME:** .125" to .250" thick (nominal) extruded aluminum 6063-T52/T6 alloy.  
Grille depth can be 2" to 6" deep.

**BLADE:** .125" to .250" thick (nominal) extruded aluminum 6063-T52/T6 alloy.  
Blades can have 2" to 12" vertical and horizontal spacing and horizontal blade angle from 0° to 45°.

**CONSTRUCTION:** All welded construction.

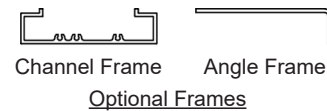
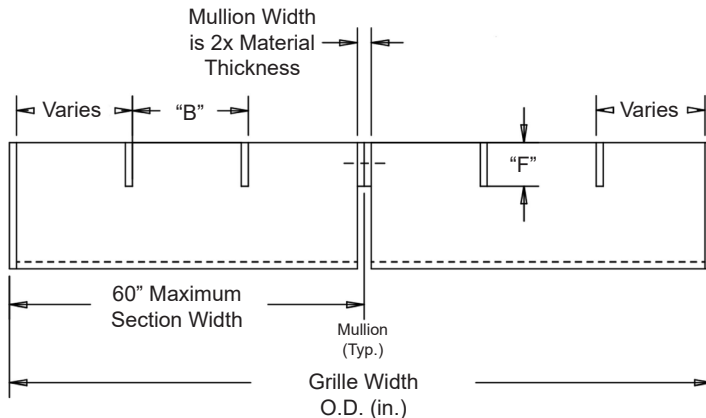
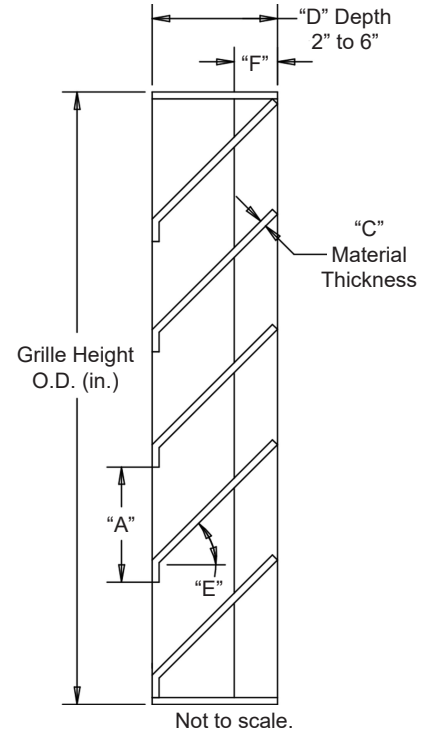
**FINISH:** Factory mill.

**OPTIONS**

Finishes - Kynar, Baked Enamel, Clear and Color Anodize

**GRILLE SCREEN SIZES**


Min Panel	Max Single Panel
12"W x 12"H	60"W x 96"H (40 sq.ft.)



- "A" = 2" to 12" (Horizontal Blade Spacing)
- "B" = 2" to 12" (Vertical Blade Spacing)
- "C" = .125" to .250" (Material Thickness)
- "D" = 2" to 6" (Grille Depth)
- "E" = 0° to 45° (Blade Angle)
- "F" = 1" minimum (Vertical Blade Depth)

Nominal Deductions will be made to the opening size given.

In the interest of product development, Airline Louvers reserves the right to make changes without notice.

							
<b>Item #</b>	<b>Qty</b>	Horizontal	Vertical	<b>Grille Depth</b>	<b>Material Thickness</b>	<b>Blade Angle</b>	
		<b>Blade Spacing</b>					
<b>Arch. / Eng. :</b>				<b>EDR:</b>	<b>ECN:</b>	<b>Job:</b>	
<b>Contractor:</b>							
<b>Project:</b>				<b>Date:</b>	<b>DWN:</b>	<b>DWG:</b>	