

AS16G90X

STANDARD MATERIALS AND CONSTRUCTION

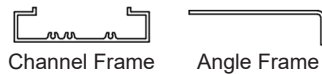
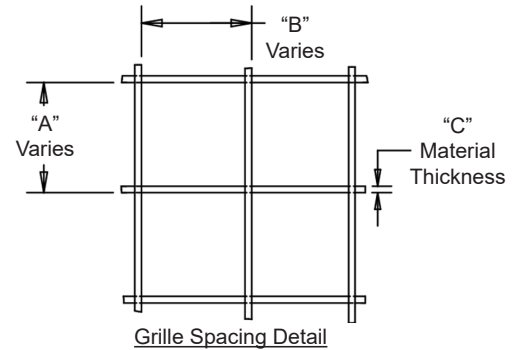
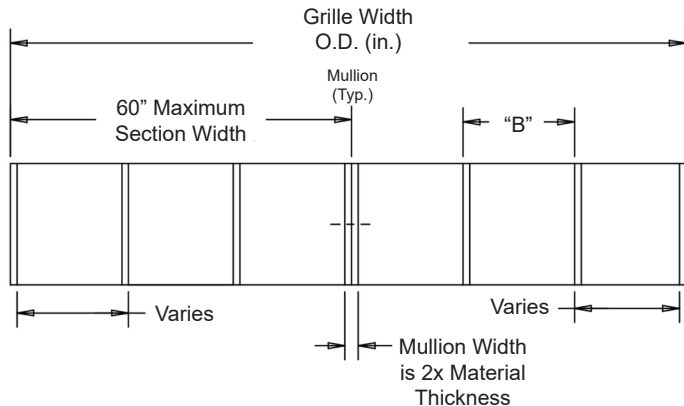
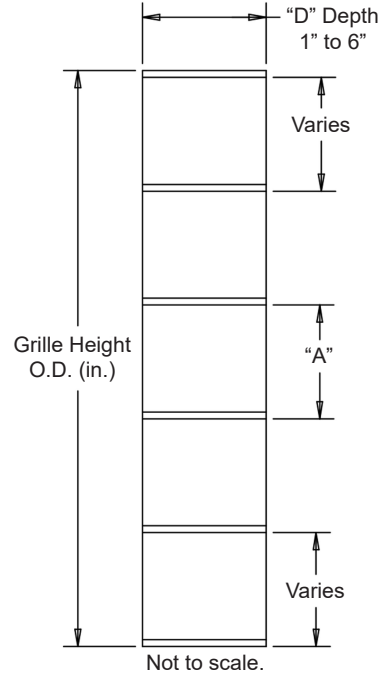
- FRAME:** .125" to .250" thick (nominal) extruded aluminum 6063-T52/T6 alloy.
Grille depth can be 1" to 6".
- BLADE:** .125" to .250" thick (nominal) extruded aluminum 6063-T52/T6 alloy.
Blades have 2" to 12" vertical and horizontal spacing.
- CONSTRUCTION:** All welded construction.
- FINISH:** Factory mill.

OPTIONS

Finishes - Kynar, Baked Enamel, Clear and Color Anodize

GRILLE SCREEN SIZES


Min Panel	Max Single Panel
12"W x 12"H	60"W x 96"H (40 sq.ft.)



Optional Frames

- "A" = 2" to 12" (Horizontal Blade Spacing)
- "B" = 2" to 12" (Vertical Blade Spacing)
- "C" = .125" to .250" (Material Thickness)
- "D" = 1" to 6" (Grille Depth)

In the interest of product development, Airline Louvers reserves the right to make changes without notice.

							
Item #	Qty	Horizontal	Vertical	Grille Depth	Material Thickness		Union Made
		Blade Spacing					
Arch. / Eng. :				EDR:	ECN:	Job:	
Contractor:							
Project:				Date:	DWN:	DWG:	