

STANDARD CONSTRUCTION

- INNER FRAME:** .060" thick (nominal) 6063-T52/T6 extruded aluminum.
- OUTER FRAME:** .060" thick (nominal) 6063-T52/T6 extruded aluminum.
- GLASS:** ¼" thick, all panes.
- GASKET:** Neoprene / Ether.
- MOUNT HOLES:** On corners as standard. Available with no holes.
- FINISH:** Mill.

NOTES

1. Unless otherwise specified, door will be fabricated 3/16" under listed size. Dimensional tolerance is ± .075.
2. View size is 1 5/8" under nominal opening size.
3. View port will accommodate a maximum wall thickness of 2 1/4". Consult factory if wall size is less than 1 3/8" thick.
4. View port units are not leak proof.
5. On thermal pane models, wire glass will be on the outside of the view port.

VIEW PORT SIZES

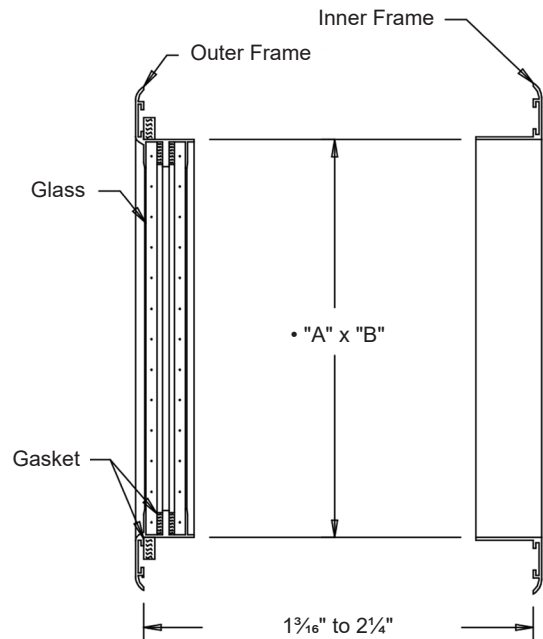
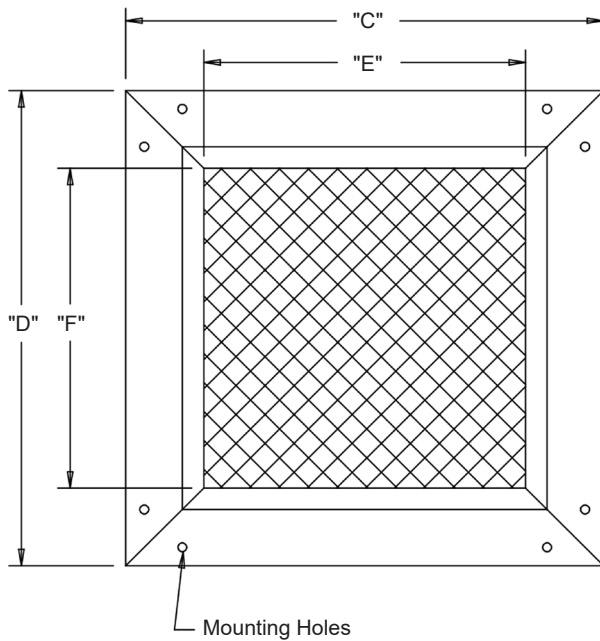
Min Size	Max Size
6"W x 6"H	24"W x 24"H

Glass Types

P = ¼" thick plexi-glass

W = ¼" wire glass

T = Thermal pane, (1) ¼" wire, (1) ¼" clear



Not to scale.

Item #	Qty	Single	Double	P	W	T	"A" Width	"B" Height	"C" Width	"D" Height	"E" Width	"F" Height	Union Made
		VCS Panes		Glass Type			Opening Size		Outside Frame Size		View Size		
Arch. / Eng.:							EDR:		ECN:		Job:		
Contractor:													
Project:							Date:		DWN:		DWG:		

In the interest of product development, Louvers & Dampers reserves the right to make changes without notice.