

## STANDARD CONSTRUCTION

**FRAME:** 18-GA. galvanized steel, channel or flanged type.

**BLADE:** 18-GA. galvanized steel. Blades approximately 2 1/8" on centers.

**SCREEN:** (When indicated)  
1/2" mesh, 19-GA. galvanized steel (.041").

**CONSTRUCTION:** Riveted and/or welded for maximum service.

## OPTIONS

Frames and Blades of other gauges

Material - 304 or 316 Stainless steel, Copper, Aluminum, etc.

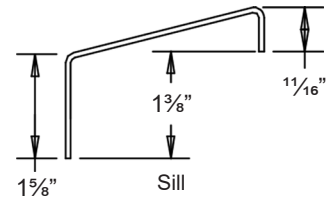
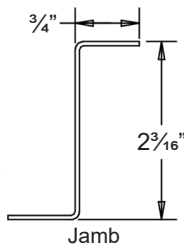
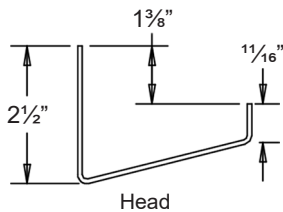
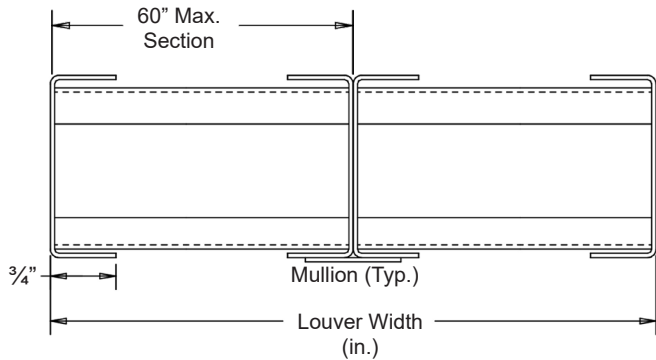
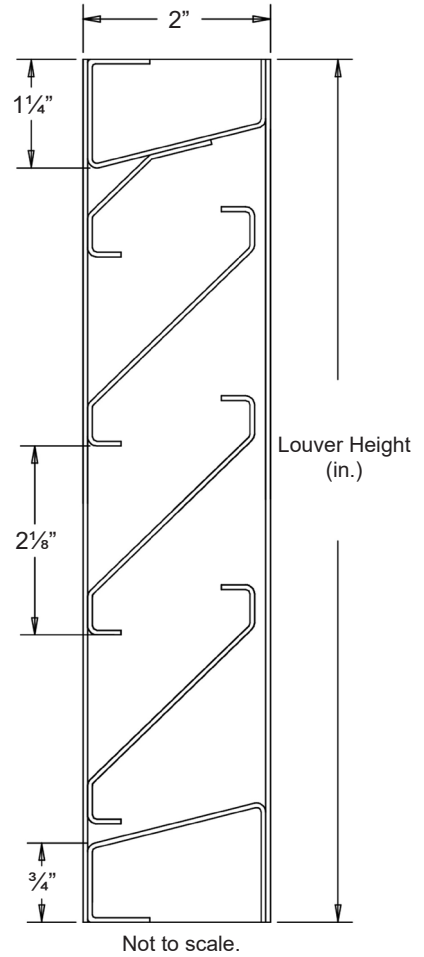
Finishes - Enamels, Epoxies, etc.

Screens - Insect screen 1/16" aluminum mesh.


- or- 1/2" flattened aluminum, .051",
- or- 1/4" sq. mesh, 18-GA galvanized steel, .047",
- or- 1/2" sq. mesh, 18-GA stainless steel, .047",
- Others available.

## NOTES

1. 1/2" nominal deduction will be made to the opening size given.
2. Approximate shipping weight is 5.0 lbs./sq.ft.



Flange Frame Available

										
Item #	Qty	Width	Height	Width	Height	Mullion	Type	Location		
		Opening Size		Louver Size			Screens			Union Made
Arch. / Eng. :						EDR:		ECN:		Job:
Contractor:										
Project:						Date:		DWN:		DWG:

In the interest of product development, Louvers & Dampers reserves the right to make changes without notice.