

**True Round Fire Damper • 1½ Hr. Rated • Curtain Blade • Dynamic • Horizontal and Vertical Mount • Galvanized Steel**

### STANDARD CONSTRUCTION

- FRAME:** 20 GA. galvanized steel for dampers ≤ 10" diameter  
16 GA. galvanized steel for dampers ≥ 11" diameter
- BLADE:** Stainless steel curtain type.
- FUSIBLE LINK:** UL-Listed for 165°F, replaceable.
- FINISH:** Mill

### OPTIONS

- 212°F fusible link
- Retaining angle rings (sizes 6" - 24")
- Retaining plate and clip angles
- Optional 12" deep x 20 GA. sleeve

### NOTES

1. Nominal deductions of ¼" will be made to the diameter given.
2. Dampers available in 1" increments only.
3. Dampers approved for static or dynamic applications and are qualified for both horizontal and vertical installations.

### DAMPER SIZES

	3000 fpm, 4 in. w.g.
Horizontal & Vertical	Horizontal & Vertical
Minimum Size	Maximum Size
4" dia.	24" dia.

### UNDERWRITERS LABORATORIES INC.®

CLASSIFICATION OF MODEL  
FIRE RESISTANCE RATING 1½ HOUR

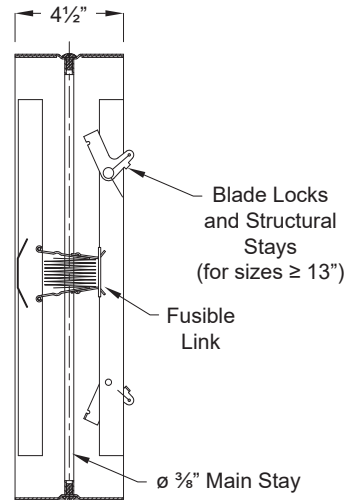
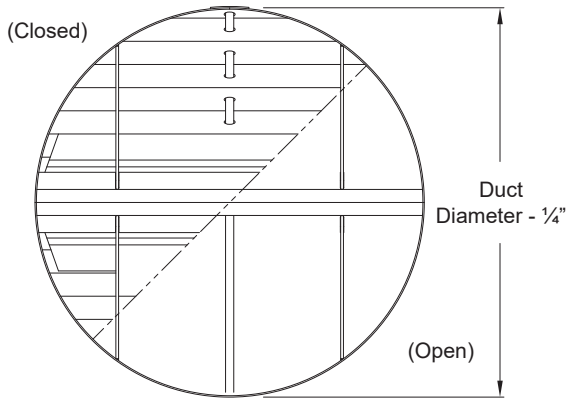


FILE # R16591

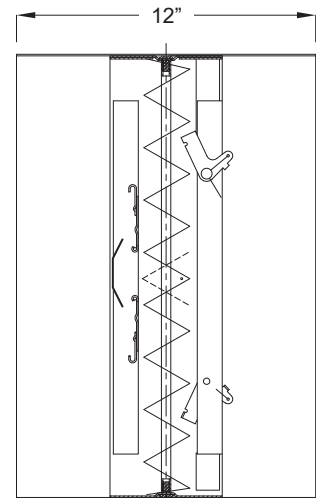


This fire damper meets the construction and performance requirements of:

- Underwriters Laboratories Inc. Standard 555
- National Fire Protection Association Standard 80, 90A, 101
- California State Fire Marshal Listing #3225-0412:002
- Underwriters Laboratories Inc. Approved for dual direction airflow and dynamic closure for vertical mount and horizontal mount.
- Underwriters Laboratories Inc. Classified for use in fire resistive ratings of less than 3 hours.



Damper Detail (Blade Open)  
Not to scale.



Damper Detail with optional 12" deep x 20 GA. sleeve (Blade Closed)

<b>Item #</b>	<b>Qty</b>	<b>Damper Size</b>	Horizontal	Vertical	165°F	212°F	<b>Optional Sleeve</b>			
<b>Arch. / Eng.:</b>			<b>Orientation</b>		<b>Fusible Link</b>			<b>ECN:</b>	<b>Job:</b>	
<b>Contractor:</b>										
<b>Project:</b>					<b>Date:</b>		<b>DWN:</b>		<b>DWG:</b>	

In the interest of product development, Louvers & Dampers reserves the right to make changes without notice.

www.louvers-dampers.com

450 Riverside Drive • Wyalusing PA, 18853 • Phone 570-746-1888 • Fax 570-746-9286

