

Model LFS609

Formed Steel Louver • 6" Deep • Inverted "V" Blades • Stationary • Galvanized Steel

STANDARD CONSTRUCTION

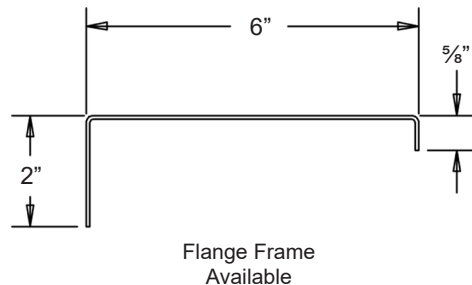
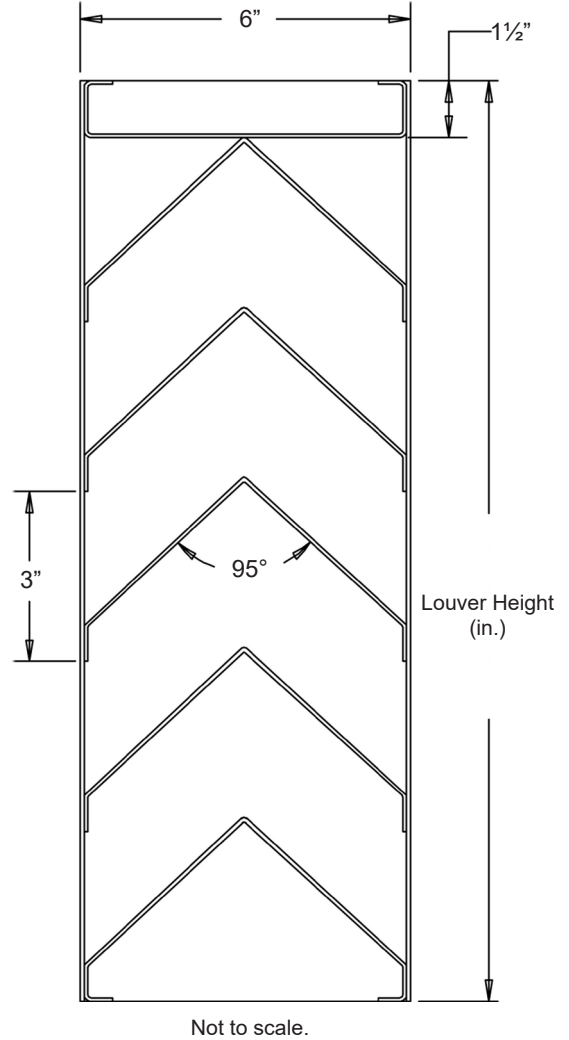
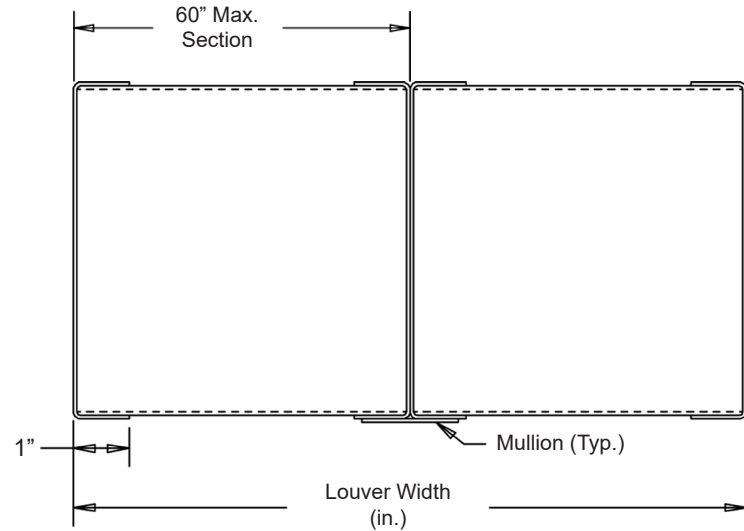
- FRAME:** 18-GA. galvanized steel, channel or flanged type.
- BLADE:** 18-GA. galvanized steel. Blades approximately 3" on centers.
- SCREEN:** (when indicated)
1/2" mesh, 19-GA. galvanized steel, .041".
- CONSTRUCTION:** Riveted and/or welded for maximum service.

OPTIONS

- Frames and Blades of other gauges
- Materials - 304 or 316 Stainless steel, Copper, Aluminum, etc.
- Finishes - Enamels, Epoxies, etc.
- Screens - Insect screen 19/14 aluminum mesh,
-or- 1/2" flattened aluminum, .051",
-or- 1/4" sq. mesh, 18-GA galvanized steel, .047",
-or- 1/2" sq. mesh, 18-GA stainless steel, .047",
Others available.

NOTES

- 1/2" nominal deduction will be made to the opening size given.
- Approximate shipping weight is 12 lbs./sq.ft.



Item #		Qty		Width		Height		Mullion		Type		Location		
Opening Size		Louver Size		Screens		Screens						Union Made		
Arch. / Eng. :				EDR:		ECN:		Job:						
Contractor:				Date:				DWN:		DWG:				
Project:														

In the interest of product development, Louvers & Dampers reserves the right to make changes without notice.