

For use to 1 in. w.g. and 1500 FPM

STANDARD CONSTRUCTION

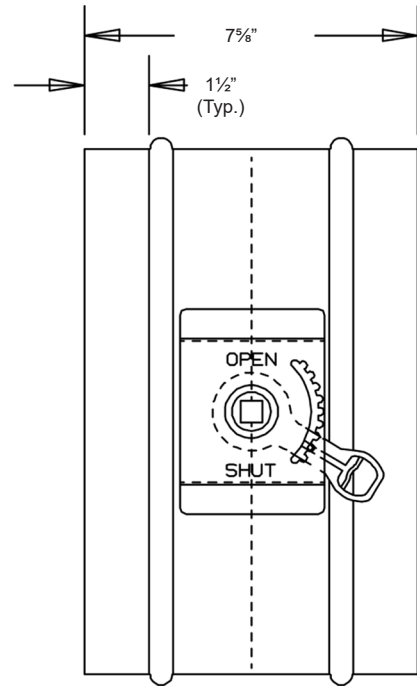
- FRAME:** 22 GA. galvanized steel, 7⁵/₈" deep with reinforcing ribs.
- BLADE:** 24 GA. galvanized steel.
- SHAFT:** 3/8" square aluminum, continuous length, with positive interlock to blade.
- BEARINGS:** Zytel plastic snap-in.
- ACTUATOR:** Nine (9) position locking hand quadrant, factory mounted.
- TEMP LIMIT:** 250°F.
- FINISH:** Mill.

NOTES

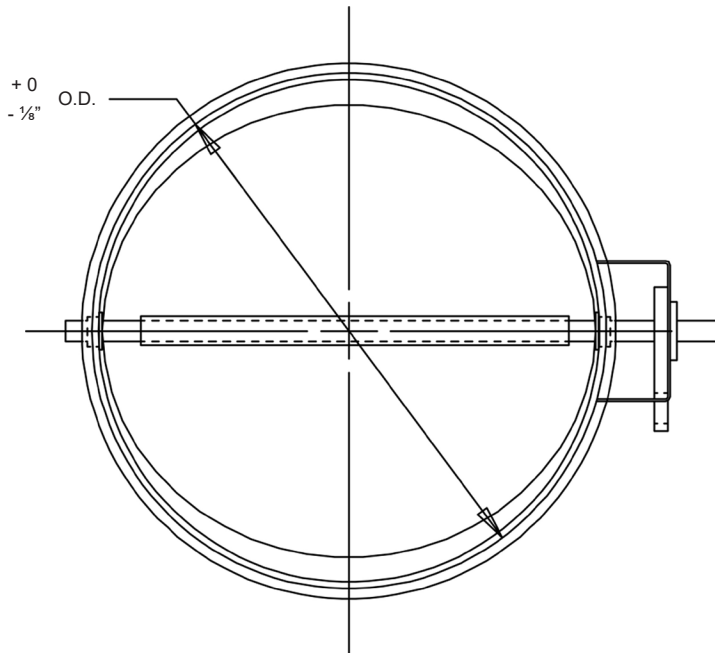
1. 1/4" nominal deduction will be made to the opening size given.
2. Round dampers are available in 1" increments only.
3. This damper is designed for manual balancing applications.
4. Rolled rib frame provides greater reinforcement, ease of installation, and a sealing joint.
5. To calculate approximate shipping weight (lbs./in.), use the following formula:
Diameter (in.) × 0.45 (lbs./in.)

DAMPER SIZES

Min Dia.	Max Dia.
4" O.D.	16" O.D.



Not to Scale.



Item #	Qty	Damper Size O.D.	Tagging	Remarks		
				ECN:	Job:	
Arch. / Eng.:			EDR:			
Contractor:						
Project:			Date:	DWN:	DWG:	



Union Made

In the interest of product development, Louvers & Dampers reserves the right to make changes without notice.