

Extruded Aluminum Louver • 6" Deep • 35° Drainable Blades • Airfoil Adjustable Blades • Concealed Mullion

STANDARD CONSTRUCTION

FRAME: .081" thk. (nominal) extruded aluminum, 6063-T52/T6 alloy. Channel type frame.

BLADES: Stationary blades made from .081" thk. (nominal) extruded aluminum 6063-T52/T6 alloy. Adjustable Airfoil blades made from .125" thk. (nominal) extruded aluminum 6063-T52/T6 alloy. Blades are approximately 4½" on centers.

LOUVER FACE: Full width sill with head and blades contained within jambs. Concealed mullion with continuous length stationary blade.

LINKAGE: Extruded aluminum, concealed in the channel out of the airstream. The pivots, which rotate in Celcon bearings, are .50" dia. Zinc plated machined steel. The pivot is locked to the 5/16" dia. aluminum linkage rod by a ¼ - 20 set screw with an epoxy locking patch.

BEARINGS: Celcon bearing material, so there will be no metal to metal friction.

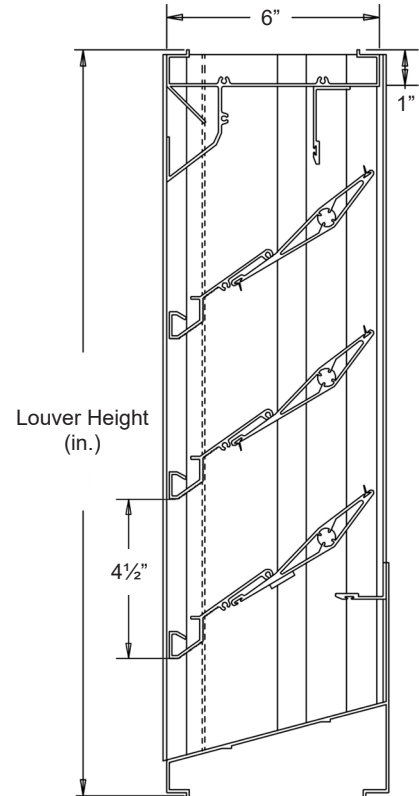
SHAFTS: .50" dia. aluminum "Pin-Lock" rod.

SEALS: Extruded silicone rubber seals at blade edge. Foam on bottom blade and polycarbonate jamb seals. Stainless steel at jamb required on painted louvers.

SCREEN: (When indicated, in a removable frame)

- ½" flattened aluminum, .051" thk.,
- or- Insect screen 18/16 aluminum mesh, .011" dia.,
- or- ½" sq. mesh intermediate double crimped aluminum wire, .063" dia.

FINISH: Mill.



OPTIONS

Finishes - Enamels, Epoxies, etc.

Other screens also available.

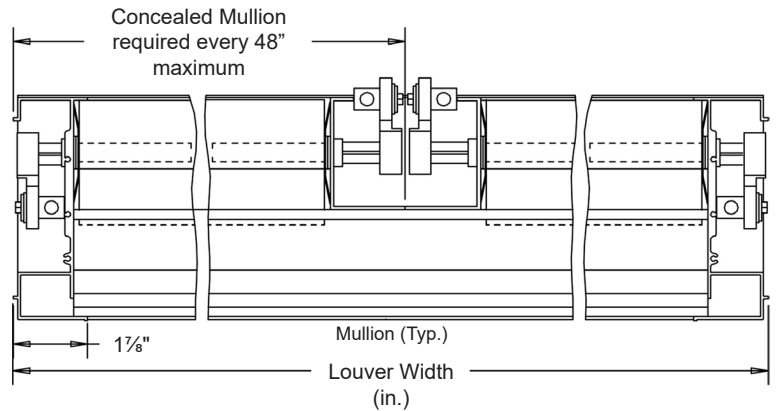
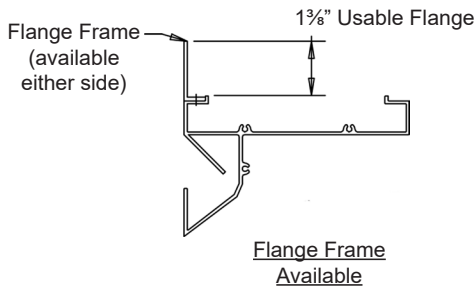
Actuators - Electric, Pneumatic, Manual, etc.

NOTES

1. ½" nominal deduction will be made to the opening size given.
2. Approximate shipping weight is 5.7 lbs./sq.ft.

LOUVER SIZES

Min Panel	Max Single Panel
12"W x 19"H	96"W x 72"H



* Visible Mullion required every 96" maximum

Item #	Qty	Opening Size		Louver Size		Mullion	Screens		Union Made
		Width	Height	Width	Height		Type	Location	
Arch. / Eng. :						EDR:	ECN:	Job:	
Contractor:									
Project:						Date:	DWN:	DWG:	

In the interest of product development, Louvers & Dampers reserves the right to make changes without notice.

www.louvers-dampers.com

450 Riverside Drive • Wyalusing PA, 18853 • Phone 570-746-1888 • Fax 570-746-9286

