

Model ES16

Equipment Screen • 6" Blade • 45° Inverted Angle Blades • Sight Proof • Extruded Aluminum

STANDARD CONSTRUCTION

FRAME: .125" thick (nominal) extruded aluminum 6063-T52/T6 alloy.
BLADE: .125" thick (nominal) extruded aluminum 6063-T52/T6 alloy. Blades positioned at 45° angle, spaced approximately 5 5/8" on center with architectural hidden mullions.

SUPPORTS: Incorporated rear angle 2" x 2" x 1/4" extruded aluminum blade support to withstand windload of 20 PSF, approximately 90 mph wind. Supports vary as required, per wind load. Spaced on 60" centers.

SCREEN: None required.

FINISH: Mill

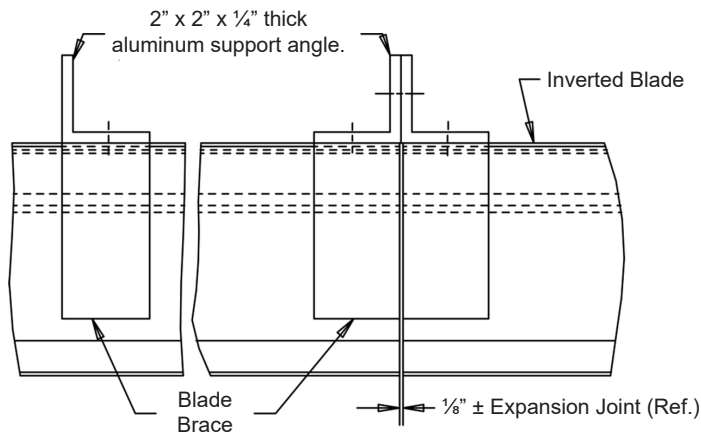
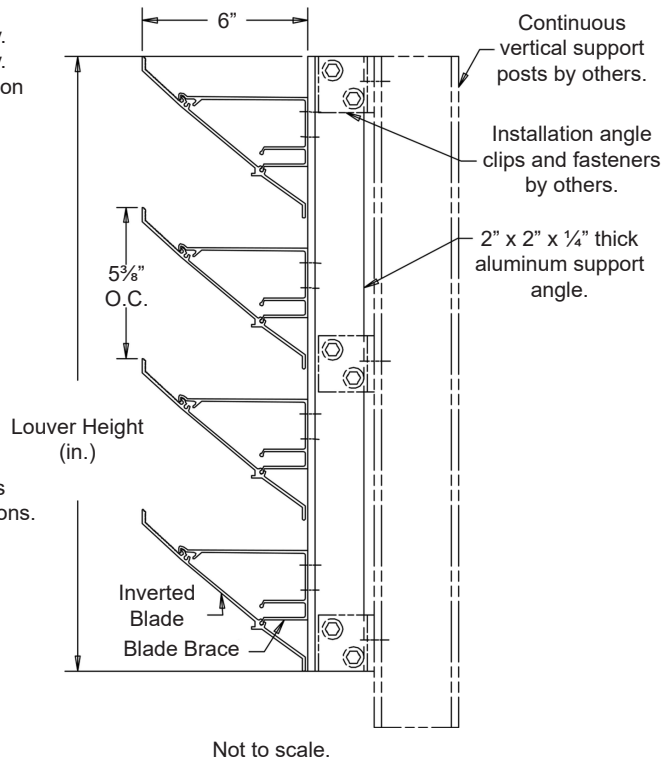
OPTIONS

Variations - Mitered Corner, Post Corner, Hinged Access, and Cap Covers.

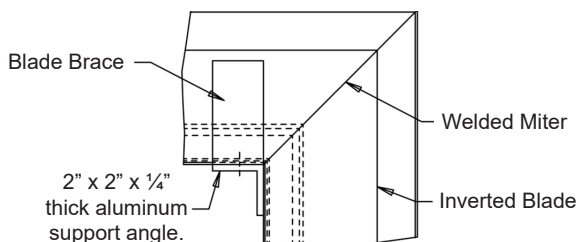
Finishes - Kynar, Baked Enamel, Clear and Color Anodize (Consult the factory for details.)

NOTES

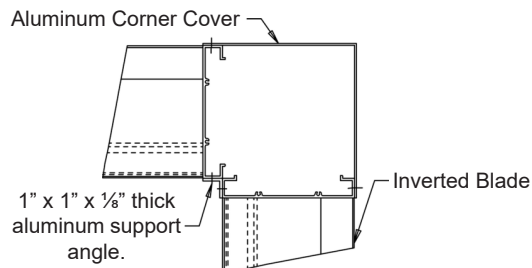
1. Maximum size should not exceed 60 sq. ft. or 120"W x 72"H. Louver sections larger than the factory maximum size will require field assembly of smaller sections.
2. Approximate shipping weight is 3.8 lbs./sq.ft.



Continuous Line Details



Mitered Corner Detail



Post Corner Detail

Item #	Qty	Height	Width	Mullion	Mitered	Post	Job:	
		Screen Size			Corner Type			
Arch. / Eng. :				EDR:	ECN:			
Contractor:								
Project:				Date:	DWN:		DWG:	

In the interest of product development, Louvers & Dampers reserves the right to make changes without notice.

FREE AREA TABLE

		Width (in.)									
		12"	24"	36"	48"	60"	72"	84"	96"	108"	120"
Height (in.)	12"	.29	.59	.88	1.18	1.47	1.77	2.06	2.36	2.65	2.94
	24"	.88	1.77	2.65	3.53	4.42	5.30	6.18	7.07	7.95	8.83
	36"	1.47	2.94	4.42	5.89	7.36	8.83	10.30	11.78	13.25	14.72
	48"	2.06	4.12	6.18	8.24	10.30	12.36	14.42	16.49	18.55	20.61
	60"	2.94	5.89	8.83	11.78	14.72	17.66	20.61	23.55	26.49	29.44
	72"	3.53	7.07	10.60	14.13	17.66	21.20	24.73	28.26	31.79	35.33
	84"	4.12	8.24	12.36	16.49	20.61	24.73	28.85	32.97	37.09	41.21
	96"	4.71	9.42	14.13	18.84	23.55	28.26	32.97	37.68	42.39	47.10
	108"	5.59	11.19	16.78	22.37	27.97	33.56	39.15	44.75	50.34	55.93
	120"	6.18	12.36	18.55	24.73	30.91	37.09	43.27	49.46	55.64	61.82