

# Model EL88A

Extruded Aluminum Louver • 6" Deep • Adjustable Straight Blades • Non-Drainable

## STANDARD CONSTRUCTION

**FRAME:** .081" thick (nominal) extruded aluminum 6063-T52/T6 alloy.

**BLADE:** .081" thick (nominal) extruded aluminum 6063-T52/T6 alloy. Blades are approximately 4" on centers.

**LOUVER FACE:** Full width sill with drain head and non-drain blades contained within the drain jambs.

**LINKAGE:** Extruded aluminum, concealed in channel out of airstream. Pivots are .50" dia. plated and machined steel. Pivots rotate in a celcon bearing. A .312" dia. aluminum linkage rod is locked to the pivot by a ¼ - 20 set screw with an epoxy locking patch.

**SHAFTS:** .50" dia. aluminum "Pin-Lock" rod.

**SEALS:** Extruded silicone rubber seal at blade edge. Polyurethane at the jambs.

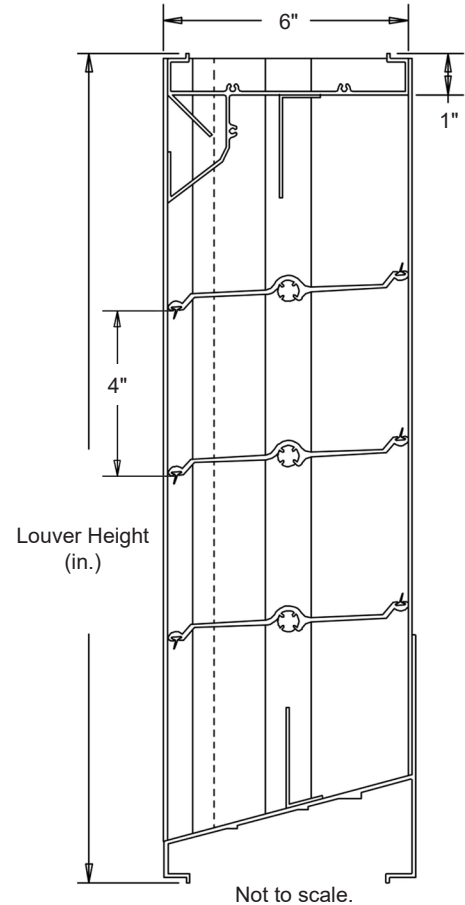
**SCREEN:** (When indicated, in a removable frame.)

½" flattened aluminum, .051" thick,

-or- ½" sq. mesh, intermediate double-crimped aluminum wire, .063" dia.,

-or- 1⅞ mesh, .011" dia. aluminum wire, insect screen

**FINISH:** Mill.



## OPTIONS

Finish - Baked Enamel, Kynar, Anodize

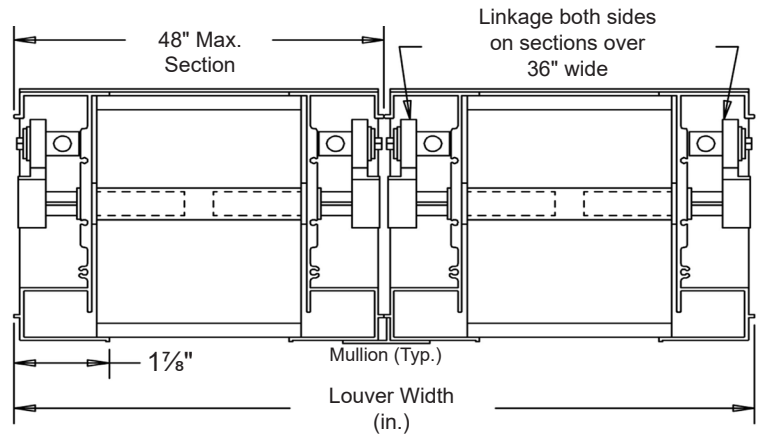
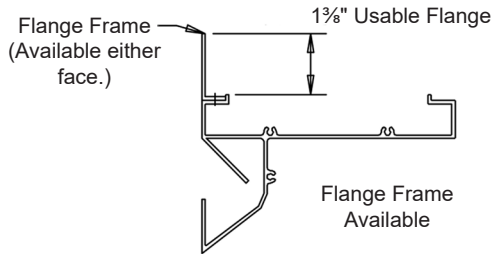
Actuators - Electric, Pneumatic, Manual, etc.

## NOTES

1. ½" nominal deduction will be made to the opening size given.
2. Approximate shipping weight is 5.0 lbs./sq.ft.

## LOUVER SIZES

| Min Panel   | Max Single Panel |
|-------------|------------------|
| 12"W x 12"H | 48"W x 96"H      |



| Item #         | Qty | Width        | Height | Width       | Height | Mullion | Type    | Location | Union Made |
|----------------|-----|--------------|--------|-------------|--------|---------|---------|----------|------------|
|                |     | Opening Size |        | Louver Size |        |         | Screens |          |            |
| Arch. / Eng. : |     |              |        |             |        | EDR:    |         | ECN:     | Job:       |
| Contractor:    |     |              |        |             |        |         |         |          |            |
| Project:       |     |              |        |             |        | Date:   |         | DWN:     | DWG:       |

In the interest of product development, Louvers & Dampers reserves the right to make changes without notice.

www.louvers-dampers.com

450 Riverside Drive • Wyalusing PA, 18853 • Phone 570-746-1888 • Fax 570-746-9286



# Model EL88A

Extruded Aluminum Louver • 6" Deep • Adjustable Straight Blades • Non-Drainable

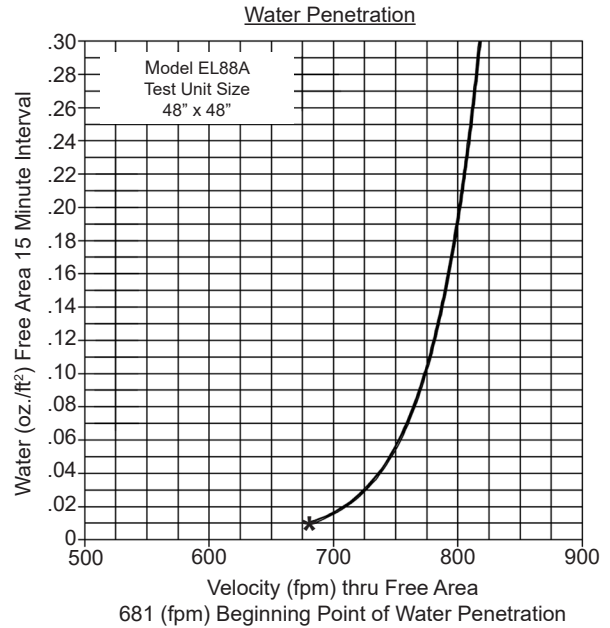
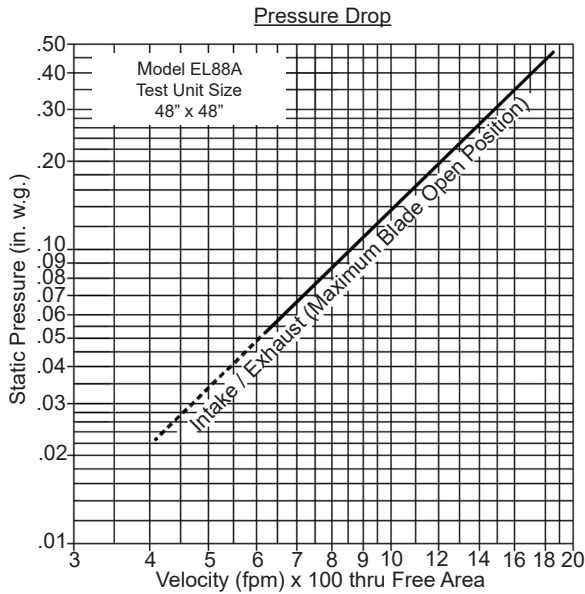
## PERFORMANCE DATA

Pressure Drop: .14 in. w.g. at 1000 fpm (intake)

Free Area: 10.71 sq.ft. = 67% for 48"W x 48"H sample tested in accordance with AMCA Standard 500-L.

Beginning Point of Water Penetration: 681 fpm

Ratings do not include the effects of a screen



|              |      | Free Area (sq.ft.) |       |       |       |       |       |      |
|--------------|------|--------------------|-------|-------|-------|-------|-------|------|
|              |      | Width (in.)        |       |       |       |       |       |      |
| Height (in.) |      | 12"                | 18"   | 24"   | 30"   | 36"   | 42"   | 48"  |
|              |      | 12"                | .22   | .39   | .56   | .73   | .90   | 1.07 |
| 24"          | .79  | 1.38               | 1.97  | 2.56  | 3.15  | 3.74  | 4.33  |      |
| 36"          | 1.35 | 2.36               | 3.37  | 4.38  | 5.39  | 6.40  | 7.41  |      |
| 48"          | 1.91 | 3.34               | 4.77  | 6.21  | 7.64  | 9.07  | 10.71 |      |
| 60"          | 2.47 | 4.32               | 6.18  | 8.03  | 9.89  | 11.74 | 13.59 |      |
| 72"          | 3.03 | 5.31               | 7.58  | 9.86  | 12.13 | 14.41 | 16.68 |      |
| 84"          | 3.59 | 6.29               | 8.99  | 11.68 | 14.38 | 17.07 | 19.77 |      |
| 96"          | 4.16 | 7.27               | 10.39 | 13.51 | 16.63 | 19.74 | 22.86 |      |