

## STANDARD CONSTRUCTION

**FRAME:** .125" to .250" thick (nominal) extruded aluminum 6063-T52/T6 alloy.  
Grille depth can be 2" to 6" deep.

**BLADE:** .125" to .250" thick (nominal) extruded aluminum 6063-T52/T6 alloy.  
Blades can have 2" to 12" vertical and horizontal spacing and horizontal blade angle from 0° to 45°.

**CONSTRUCTION:** All welded construction.

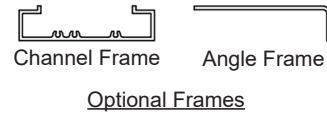
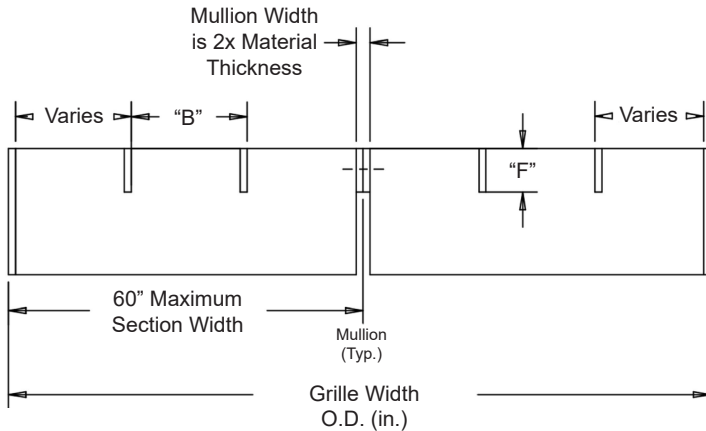
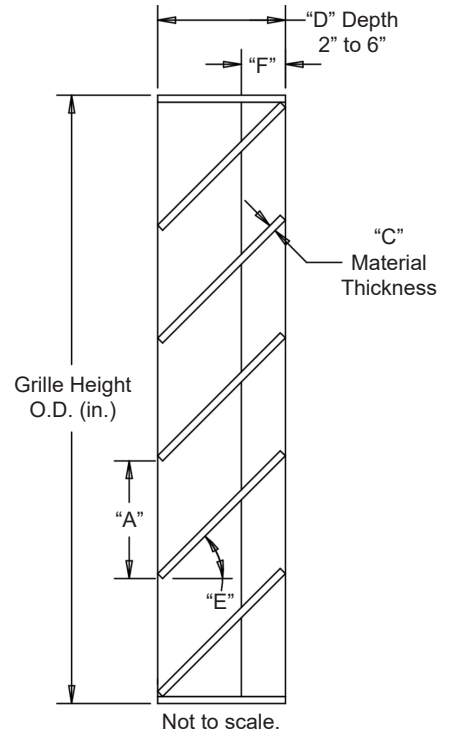
**FINISH:** Factory mill.

## OPTIONS

Finishes - Kynar, Baked Enamel, Clear and Color Anodize

## GRILLE SCREEN SIZES

Min Panel	Max Single Panel
12"W x 12"H	60"W x 96"H (40 sq.ft.)



- "A" = 2" to 12" (Horizontal Blade Spacing)
- "B" = 2" to 12" (Vertical Blade Spacing)
- "C" = .125" to .250" (Material Thickness)
- "D" = 2" to 6" (Grille Depth)
- "E" = 0° to 45° (Blade Angle)
- "F" = 1" minimum (Vertical Blade Depth)

Item #	Qty	Screen Size		Grille Depth	Material Thickness	Blade Angle	Union Made
		Width	Height				
Arch. / Eng. :				EDR:	ECN:	Job:	
Contractor:							
Project:				Date:	DWN:	DWG:	

In the interest of product development, Louvers & Dampers reserves the right to make changes without notice.