

### STANDARD CONSTRUCTION

**FRAME:** .125" to .250" thick (nominal) extruded aluminum 6063-T52/T6 alloy.  
Grille depth can be 1" to 6" deep.

**BLADE:** .125" to .250" thick (nominal) extruded aluminum 6063-T52/T6 alloy.  
Blades have 2" to 12" vertical and horizontal spacing.

**CONSTRUCTION:** All welded construction.

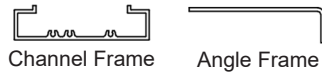
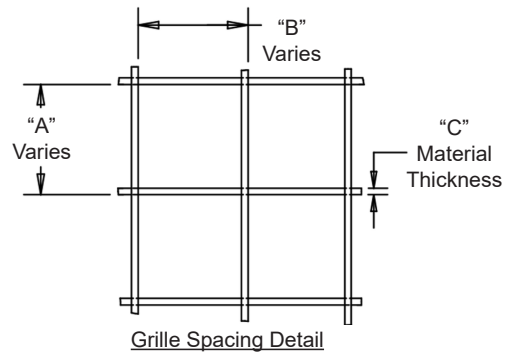
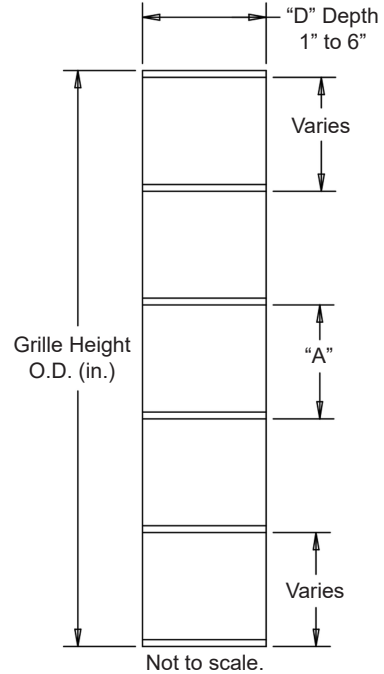
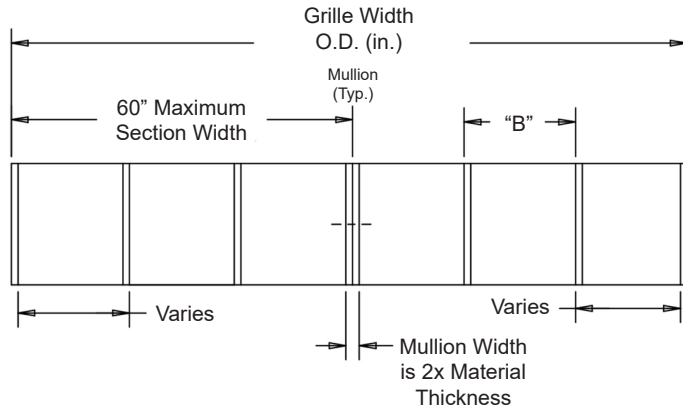
**FINISH:** Factory mill.

### OPTIONS

Finishes - Kynar, Baked Enamel, Clear and Color Anodize

### GRILLE SCREEN SIZES

| Min Panel   | Max Single Panel        |
|-------------|-------------------------|
| 12"W x 12"H | 60"W x 96"H (40 sq.ft.) |



Optional Frames

"A" = 2" to 12" (Horizontal Blade Spacing)

"B" = 2" to 12" (Vertical Blade Spacing)

"C" = .125" to .250" (Material Thickness)

"D" = 1" to 6" (Grille Depth)

|                       |            |                    |               |                           |             |             |  |  |
|-----------------------|------------|--------------------|---------------|---------------------------|-------------|-------------|--|--|
|                       |            |                    |               |                           |             |             |  |  |
| <b>Item #</b>         | <b>Qty</b> | <b>Width</b>       | <b>Height</b> | <b>Grille Depth</b>       |             |             |  |  |
|                       |            | <b>Screen Size</b> |               | <b>Material Thickness</b> |             |             |  |  |
| <b>Arch. / Eng. :</b> |            |                    |               | <b>EDR:</b>               | <b>ECN:</b> | <b>Job:</b> |  |  |
| <b>Contractor:</b>    |            |                    |               |                           |             |             |  |  |
| <b>Project:</b>       |            |                    |               | <b>Date:</b>              | <b>DWN:</b> | <b>DWG:</b> |  |  |

In the interest of product development, Louvers & Dampers reserves the right to make changes without notice.