

STANDARD CONSTRUCTION

Formed Aluminum Equipment Support

SHELL &

BASEPLATE: .063" thick (nominal) aluminum alloy 3003-H14. All seams are fully welded and sprayed with protective coating.

CANT: Mitered 3" x 3" integral cant.

REINFORCEMENTS: On 12" centers.

NAILER: Varies by width, factory installed.

FINISH: Mill.

Formed Steel Curb Equipment Support

SHELL &

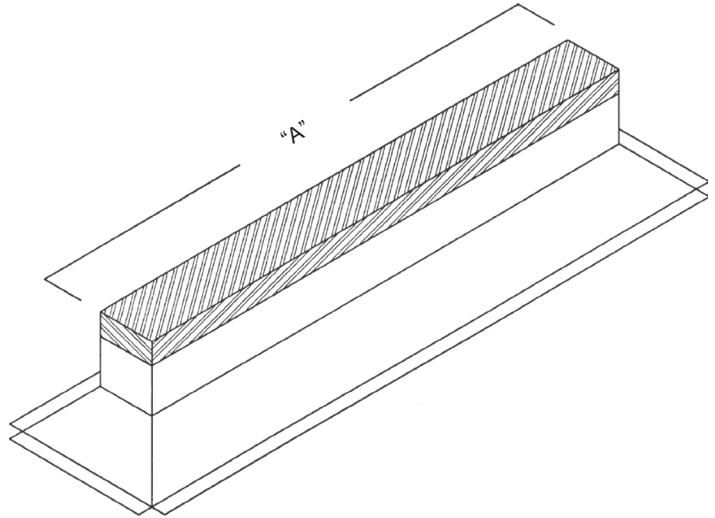
BASEPLATE: 18 GA. galvanized steel. All seams are fully welded and sprayed with protective coating.

CANT: Mitered 3" x 3" integral cant.

REINFORCEMENTS: On 12" centers.

NAILER: Varies by width, factory installed.

FINISH: Mill.



OPTIONS

Aluminum Material - Available in .081" - .125" thick 3003-H14 alloy

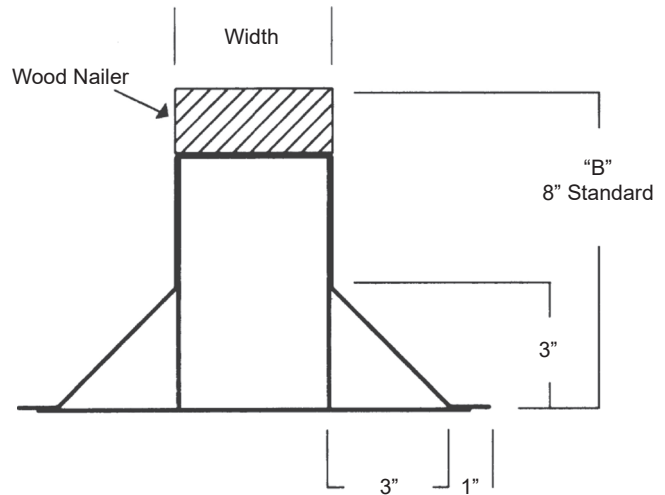
Steel Material - Available in various gauges of galvanized, galvaneal or stainless

Pitched or Peaked - In conjunction with the overall dimensions, both the height rise, specified in linear inches per foot (ex: 3" in 12") and the direction of the pitch must be specified.

Counterflashing - A removable metal cap fabricated of the same material as the equipment support provides for an effective method of attaching roofing felts.

Gasket - 1/4" thick polyurethane foam gasket can be installed, lining the entire top perimeter. Gasket can be used in place of, or in addition to a wood nailer.

Finishes - A wide selection of finishes include baked enamel, epoxy, or prime coat.



NOTES

- "A" and "B" are opening dimensions.
- If height or width exceed 90", multi-section construction may be required.

EQUIPMENT SUPPORT WIDTH

Nominal Width	Actual Nailer Width
4"	3 1/2"
6"	5 1/2"
8"	7 1/2"
10"	9 1/2"
12"	11 1/2"

Item #	Qty	"A"	"B"	Width	Material		Height Rise	Direction	Union Made
					Aluminum	Steel			
Arch. / Eng.:				EDR:	ECN:		Job:		
Contractor:									
Project:				Date:	DWN:		DWG:		

In the interest of product development, Louvers & Dampers reserves the right to make changes without notice.

www.louvers-dampers.com

450 Riverside Drive • Wyalusing PA, 18853 • Phone 570-746-1888 • Fax 570-746-9286

