

### STANDARD CONSTRUCTION

#### Formed Aluminum Curb Adapter / Extension

**SHELL &**

**BASEPLATE:** .063" thick (nominal) aluminum alloy 3003-H14. All seams are fully welded and sprayed with protective coating.

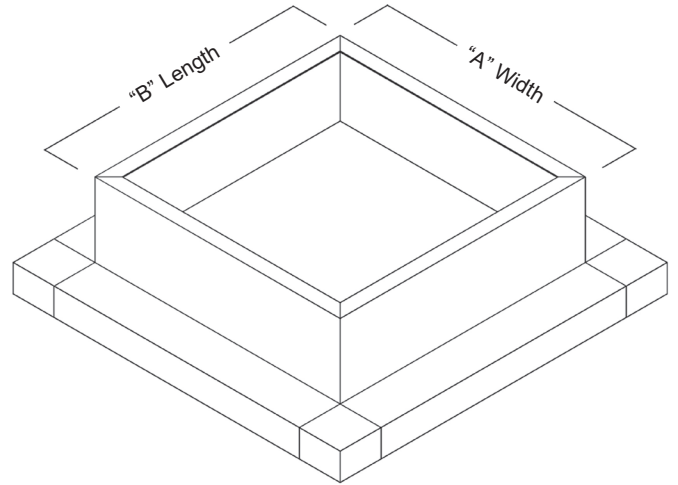
**FINISH:** Mill.

#### Formed Steel Curb Adapter / Extension

**SHELL &**

**BASEPLATE:** 18 GA. galvanized steel. All seams are fully welded and sprayed with protective coating.

**FINISH:** Mill.



### OPTIONS

**Aluminum Material** - Available in .081" - .125" thick 3003-H14 alloy.

**Steel Material** - Available in various gauges of galvanized, galvaneal or stainless.

**Liners** - Used for retention of insulation or as support to strengthen large units that will support a heavy load. Liners are manufactured as an integral part of the product to add maximum structural support.

**Curb Cap** - can be replaced by 4½" or other sizes by specifying.

**Platform Cap** - A ¾" plywood top with a metal cap fabricated of the same material as the product.

**Wood Nail** - Factory installed wood nailer for equipment mounting is mechanically fastened to top perimeter.

**Gasket** - ¼" thick polyurethane foam gasket can be installed, lining the entire top perimeter. Gasket can be used in place of, or in addition to a wood nailer.

**Insulation** - Available with 1" or 2" semi-rigid insulation.

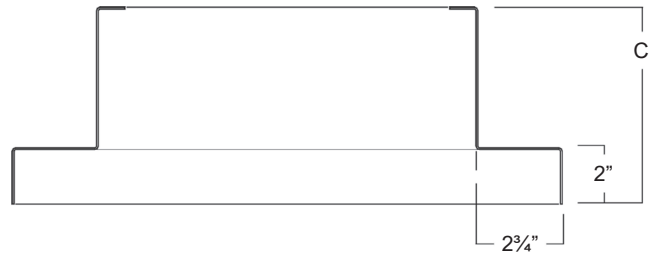
**Access Panels** - To provide a passageway to internal equipment, an access opening is cut and lined with a protective vinyl edge seal and the cover panel is mechanically fastened over the opening. Minimum height restrictions apply.

**Louvered Vents** - Provides airflow through the curb. Units are available with 6"W x 7/8"H louvered vents, with 4 per side. Minimum height restrictions apply.

**Damper Rack** - The rack is located in the bottom of the curb and a damper is then mounted on top of the rack. Damper and/or rack flange dimensions must be specified.

**Security Bars** - Selections of bar diameters, frame styles, and spacing are available.

**Finishes** - A wide selection of finishes include baked enamel, epoxy, or prime coat. Aluminum curb finishes include Kynar, clear or color anodize.



### NOTES

1. "A" width, "B" length and "C" height are outside dimensions.
2. If height or width exceed 90", multi-section construction may be required.

Item #	Qty	Width	Length	Height	Aluminum	Steel	Height Rise	Direction	
		<b>Opening Dimensions</b>			<b>Material</b>		<b>Pitch / Peak</b>		
<b>Arch. / Eng.:</b>		<b>EDR:</b>			<b>ECN:</b>		<b>Job:</b>		<b>Union Made</b>
<b>Contractor:</b>									
<b>Project:</b>		<b>Date:</b>			<b>DWN:</b>		<b>DWG:</b>		

In the interest of product development, Louvers & Dampers reserves the right to make changes without notice.