

## STANDARD CONSTRUCTION

### Formed Aluminum Curb

**SHELL &**

**BASEPLATE:** .063" thick (nominal) aluminum alloy 3003-H14. All seams are fully welded and sprayed with protective coating.

**INSULATION:** 1" semi-rigid fiberglass.

**CANT:** Mitered 3" x 3" integral cant.

**NAILER:** Nominal 2" x 2" wood nailer for equipment mounting is mechanically fastened to upper curb perimeter.

**FINISH:** Mill.

### Formed Steel Curb

**SHELL &**

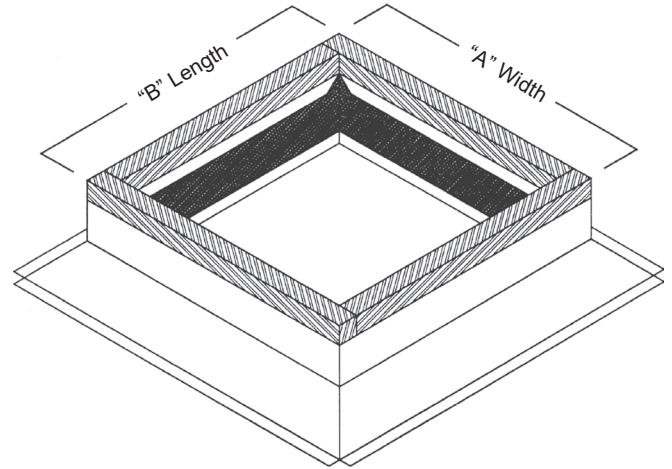
**BASEPLATE:** 18 GA. galvanized steel. All seams are fully welded and sprayed with protective coating.

**INSULATION:** 1" semi-rigid fiberglass.

**CANT:** Mitered 3" x 3" integral cant.

**NAILER:** Nominal 2" x 2" wood nailer for equipment mounting is mechanically fastened to upper curb perimeter.

**FINISH:** Mill.



## OPTIONS

**Aluminum Material** - Available in .081" - .125" thick 3003-H14 alloy

**Steel Material** - Available in various gauges of galvanized, galvanneal or stainless.

**Pitched or Peaked** - In conjunction with the overall dimensions, both the height rise, specified in linear inches per foot (ex: 3" in 12") and the direction of the pitch must be specified.

**Liners** - Used for retention of insulation or as support to strengthen large units that will support a heavy load. Liners are manufactured as an integral part of the product to add maximum structural support.

**Platform Cap** - A 3/4" plywood top with a metal cap fabricated of the same material as the product.

**Gasket** - 1/4" thick polyurethane foam gasket can be installed, lining the entire top perimeter. Gasket can be used in place of, or in addition to a wood nailer.

**Insulation** - Available with 2" semi-rigid insulation.

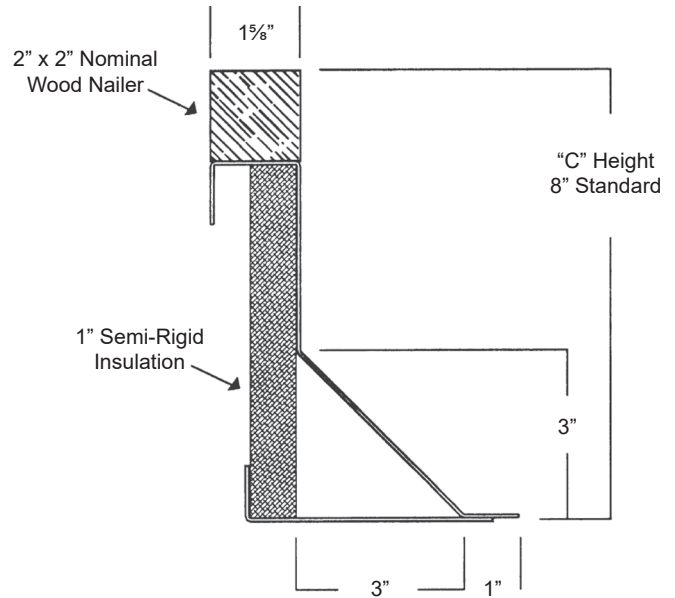
**Access Panels** - To provide a passageway to internal equipment, an access opening is cut and lined with a protective vinyl edge seal and the cover panel is mechanically fastened over the opening. Minimum height restrictions apply.

**Louvered Vents** - Provides airflow through the curb. Units are available with 6"W x 7/8"H louvered vents, with 4 per side. Minimum height restrictions apply.

**Damper Rack** - The rack is located in the bottom of the curb and a damper is then mounted on top of the rack. Damper and/or rack flange dimensions must be specified.


**Security Bars** - Selections of bar diameters, frame styles, and spacing are available.

**Finishes** - A wide selection of finishes include baked enamel, epoxy, or prime coat. Aluminum curb finishes include Kynar, clear or color anodize.



## NOTES

1. "A" width, "B" length and "C" height are opening dimensions.
2. If height or width exceed 90", multi-section construction may be required.

Item #	Qty	Width	Length	Height	Aluminum	Steel	Height Rise	Direction	
					Opening Dimensions				
Arch. / Eng.:				EDR:	ECN:	Job:			
Contractor:									
Project:				Date:	DWN:	DWG:			

In the interest of product development, Louvers & Dampers reserves the right to make changes without notice.