

STANDARD CONSTRUCTION

- FRAME:** .125" thick (nominal) extruded aluminum.
- BLADE:** .125" thick (nominal) extruded aluminum.
- SCREEN:** ¼ Mesh, .011" dia. aluminum wire, insect screen.
- FINISH:** Clear anodized finish is standard.

OPTIONS

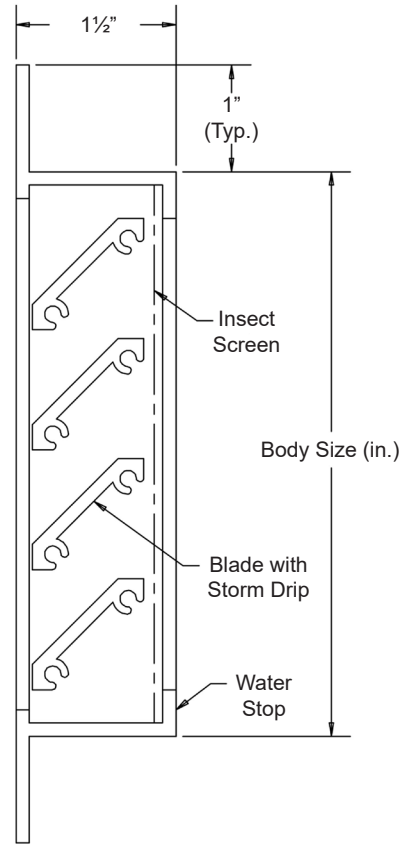
Finish - Baked Enamel, Kynar, Anodize

NOTES

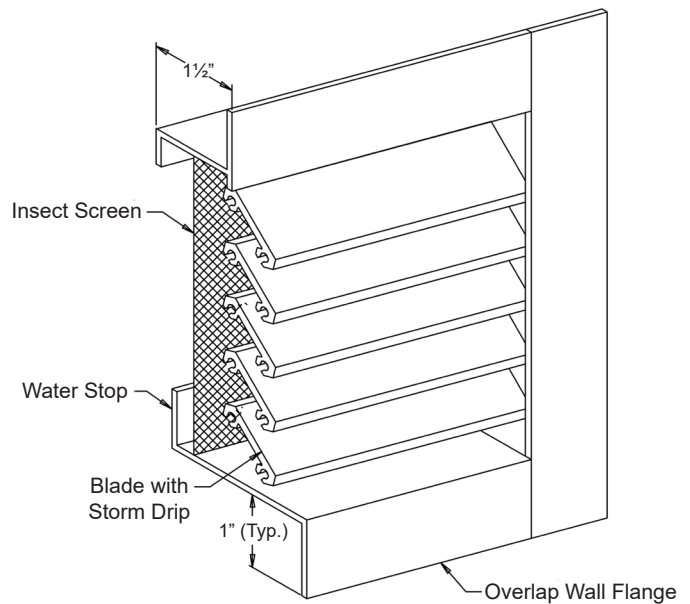
1. ½" nominal deduction will be made to the opening size given unless otherwise stated.
2. Many stock sizes are available for immediate shipment. Brick vents are also available in practically any width or height.

Body Size	Minimum Opening Size	Free Area (Sq. In.)
8⅛" x 2⅜"	8½" x 2⅝"	4.18
8⅛" x 4¾"	8½" x 5"	11.52
8⅛" x 7¾"	8½" x 8"	19.58
16½" x 2⅜"	17" x 2⅝"	8.64
16½" x 4¾"	17" x 5"	28.22
16½" x 7¾"	17" x 8"	40.32
12" x 2⅜"	12½" x 2⅝"	6.34
12" x 4¾"	12½" x 5"	17.28
24" x 4¾"	24½" x 5"	39.02
24" x 7¾"	24½" x 8"	58.75

For custom size Brick Vents, contact customer service for details.



Not to scale.



For handwritten orders, use the schedule block on page 2.

In the interest of product development, Louvers & Dampers reserves the right to make changes without notice.

www.louvers-dampers.com

450 Riverside Drive • Wyalusing PA, 18853 • Phone 570-746-1888 • Fax 570-746-9286

