

Standard Access Doors • 1½" or 2" Deep • Out-Swing • With Louver • Extruded Aluminum

## STANDARD CONSTRUCTION

- FLANGED FRAME:** .080" thick (nominal) 6063-T52/T6 extruded aluminum.
- DOOR FRAME:** .080" thick (nominal) 6063-T52/T6 extruded aluminum.
- DOOR PANELS:** 20 GA. galvanized steel.
- INSULATION:** 2.25 lb. density polyurethane foam.
- HANDLES:** Dual-acting die cast zinc.
- GASKET:** Continuous length extruded foam santoprene.
- HINGE:** Stainless steel continuous type.
- FINISH:** Mill.

## OPTIONS

Door panel material: bonderized steel, stainless steel, aluminum  
Finishes - Baked Enamel, Baked Epoxy, or Prime Coat

## NOTES

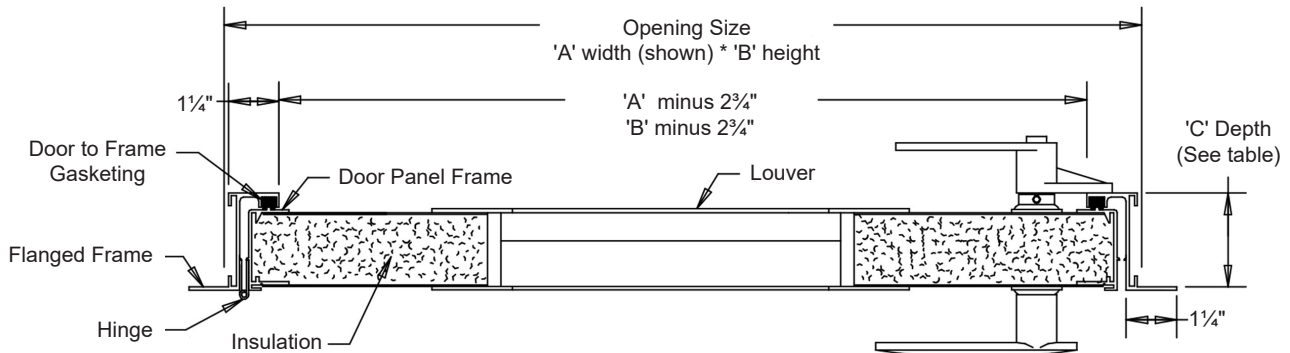
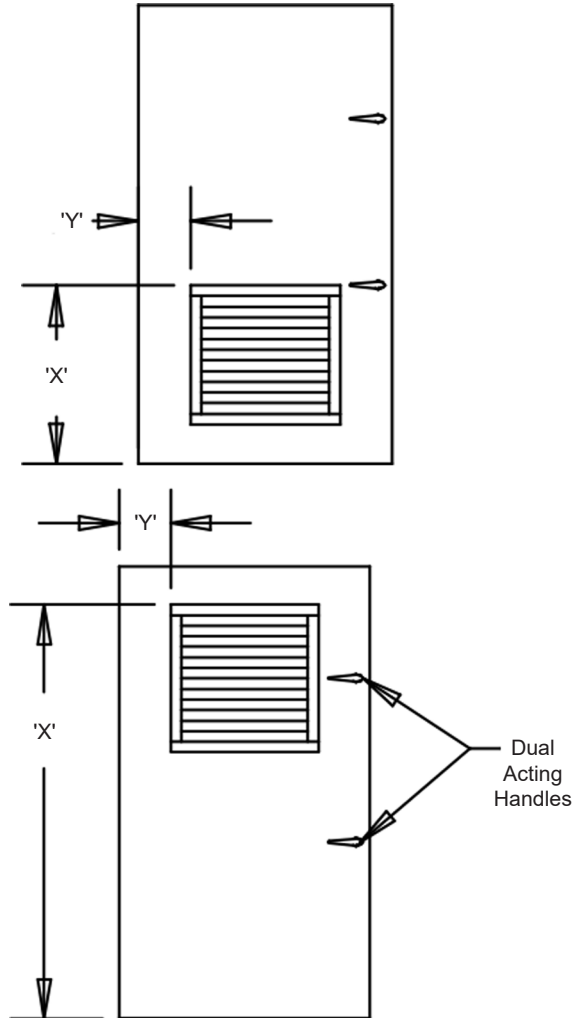
1. Hinge always furnished on "B" height dimension.
2. (L) designates doors with louvers. Specify (L/H) left hand or (R/H) right hand hinge when viewing from the outside.
3. Minimum louver size is 12" x 12". Maximum louver size is full door panel size. For louver location, use "X" and "Y" dimensions.
4. Unless otherwise specified, door will be fabricated ¼" under listed size. Dimensional tolerance is ± .075.
5. Door width cannot exceed two times its height.
6. Please refer to the installation instructions for mounting of handles and door assembly mounting.
7. In-swing doors are recommended for positive pressures. Out-swing doors are recommended for negative pressures.

## DOOR SIZES

Min Size	Max Size
12"W x 12"H	48"W x 96"H

Model	'C' Depth
15	1⅞"
20	2⅝"

Door Panel View Minus Door Frame  
(Left hinge units shown.)  
Not to scale.



Item #	Qty	-15	-20	Left Hand	Right Hand	"A" Width	"B" Height	Model -15 (EA-150-F)	Model -20 (EA-200-F)	X	Y	Union Made
		Door Model		Door Hinge		Opening Size		Louver Size (Width, Height, O.D. of Flange)		Louver Location		
Arch. / Eng.:						EDR:		ECN:		Job:		
Contractor:												
Project:						Date:		DWN:		DWG:		

In the interest of product development, Louvers & Dampers reserves the right to make changes without notice.

