

Model AF53

Round Damper • 7½" Deep • Single Thickness Blade • Volume Control • For Low Leakage • Galvanized Steel

For use to 6 in. w.g. and 3000 FPM

STANDARD CONSTRUCTION

FRAME: 22 GA. galvanized steel, 7½" deep with reinforcing ribs.

BLADE: 20 GA. galvanized steel, double thickness.

SHAFT: ½" dia. plated steel stub, mono-bolted to blade. Extends 6" beyond frame.

BEARINGS: Bronze oilite flanged sleeve, press fit to frame.

STOPS: Formed galvanized steel angle mechanically fastened to the frame to prevent over rotation of the blade.

SEALS: ¼" thk. Neoprene rubber, riveted to the blade with a 20 GA. galvanized steel retaining plate.

TEMP LIMIT: 250°F.

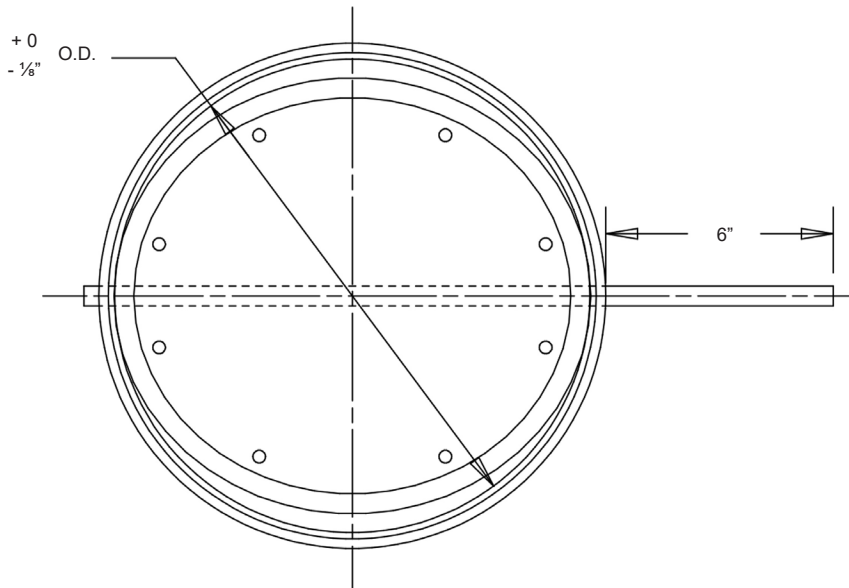
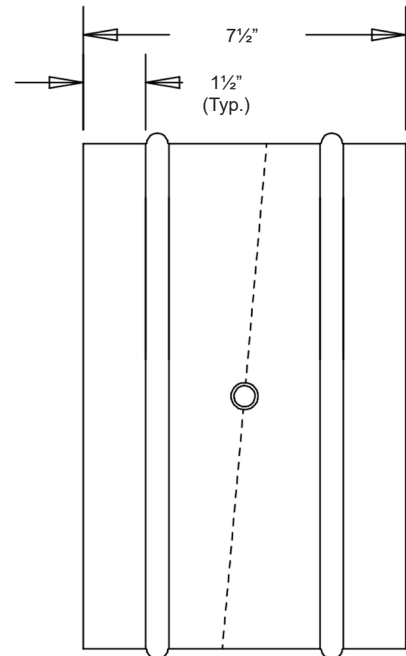
FINISH: Mill.

NOTES

- ¼" nominal deduction will be made to the opening size given.
- Round dampers are available in 1" increments only.
- This damper is designed for low leakage applications.
- The rolled ribs in the frame provide greater reinforcement, ease of installation, and a sealing joint.
- To calculate approximate shipping weight (lbs./in.), use the following formula:
Diameter (in.) × 0.47 (lbs./in.)

DAMPER SIZES

Min Dia.	Max Dia.
4" O.D.	24" O.D.



Not to Scale.

Item #	Qty	Damper Size O.D.	Tagging	Remarks		
				ECN:	Job:	
Arch. / Eng.:				EDR:		
Contractor:						
Project:				Date:	DWN:	DWG:



Union Made

In the interest of product development, Louvers & Dampers reserves the right to make changes without notice.



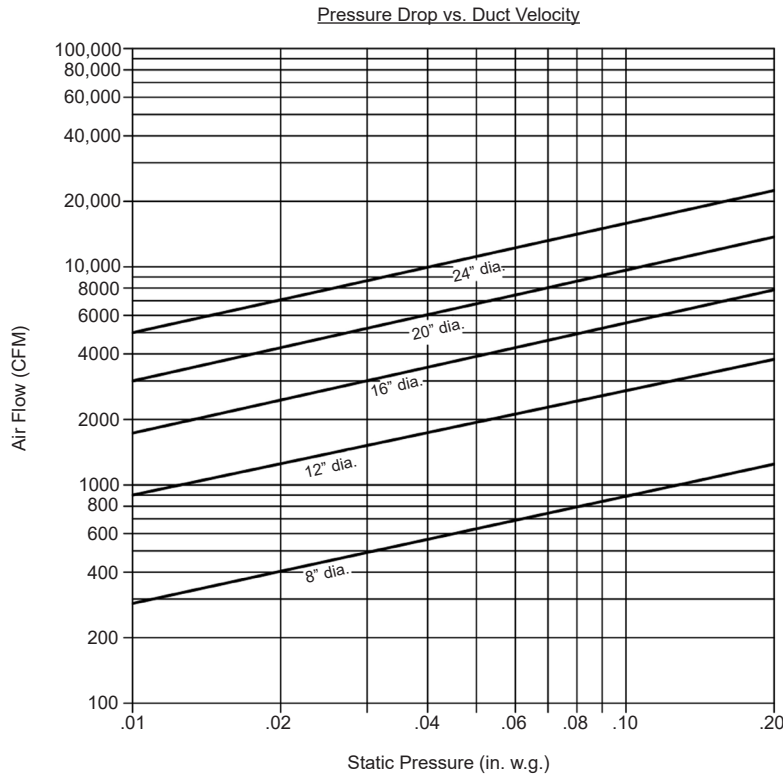
www.louvers-dampers.com

450 Riverside Drive • Wyalusing PA, 18853 • Phone 570-746-1888 • Fax 570-746-9286

Round Damper • 7½" Deep • Single Thickness Blade • Volume Control • For Low Leakage • Galvanized Steel

PERFORMANCE DATA

Pressure drop ratings are based on AMCA Standard 500 using test set-up figure 5.3 for a damper installed with duct upstream and downstream. Static pressures are corrected to .075 lb./cu.ft. air density.



Air Leakage ratings are based on AMCA Standard 500 using test set-up figure 5.4. Air Leakage is corrected to .075 lb./cu.ft. air density.

