



**Dynamic Fire Damper • 3 Hr. Rated • Single Thickness Blade • Horizontal and Vertical Mount • Non-Motorized • Galvanized Steel**

## STANDARD CONSTRUCTION

- FRAME:** 5½" x 7⁄8" x 16 GA. galvanized steel hat channel.
- BLADES:** 16 GA. galvanized steel, 6" nominal width, parallel action.
- AXLES:** Square, plated solid steel stub.
- BEARINGS:** Oil impregnated bronze.
- LINKAGE:** Plated steel angle and crank plates with stainless steel pivots in-jamb type.
- STOPS:** 18 GA. galvanized steel at head and sill.
- JAMB SEALS:** Stainless Steel.
- FINISH:** Mill.
- ACTUATOR:** Non-motorized spring closure mechanism with 165°F fusible link.

**UNDERWRITERS LABORATORIES INC.®**  
 CLASSIFIED DYNAMIC FIRE DAMPER  
 FIRE RESISTANCE RATING 3 HR

**FILE # R16591**

This fire damper meets the construction and performance requirements of:

- Underwriters Laboratories Inc. Standards 555
- National Fire Protection Association Standards 80, 90A, 101
- ICC's International Building Code
  
- Underwriters Laboratories Inc. Approved for dual direction airflow and dynamic conditions.
- Underwriters Laboratories Inc. Classified for use in fire resistive ratings of 3 hours or more.

## OPTIONS

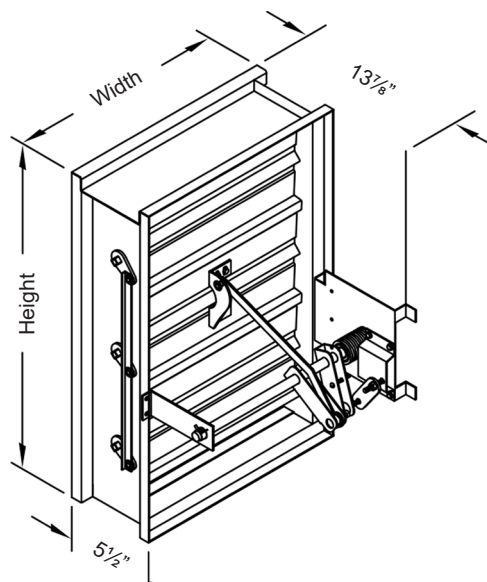
- 212°F fusible link
- Sleeve of various depths (18" minimum) and gauges
- Round, oval, and square/rectangular transitions
- Dual position indication package (see note #2)

## NOTES

1. Width and Height are opening dimensions. Dampers are provided ¼" undercut. Additional undercut may be required based on damper size, refer to installation instructions.
2. Optional auxiliary blade position indication switches are rated at 11A, ½ HP, 125VAC. These snap action switches are intended to make or break a circuit and will not provide variable or proportional resistance.

## DAMPER SIZES

|             |                                | 2000 fpm, 4 in.wg          |                |                  |                | 4000 fpm, 4 in.wg          |                  |
|-------------|--------------------------------|----------------------------|----------------|------------------|----------------|----------------------------|------------------|
| Orientation | Horz & Vert                    | Horizontal (floor)         |                | Vertical (wall)  |                | Horizontal (floor)         | Vertical (wall)  |
| Panels      | Min Panel                      | Max Single Panel           | Max Assy Panel | Max Single Panel | Max Assy Panel | Max Single Panel           | Max Single Panel |
| Rectangular | 4"W x 4"H<br>(8"W x 8"H frame) | 30"W x 48"H<br>36"W x 30"H | 60"W x 48"H    | 36"W x 48"H      | 126"W x 48"H   | 30"W x 48"H<br>36"W x 30"H | 36"W x 48"H      |
| Round       | 6" dia.<br>(8"W x 8"H frame)   | 28" dia.                   | 46" dia.       | 34" dia.         | 46" dia.       | 28" dia.                   | 34" dia.         |
| Oval        | 6"W x 6"H<br>(8"W x 8"H frame) | 28"W x 46"H<br>34"W x 28"H | 58"W x 46"H    | 34"W x 46"H      | 124"W x 46"H   | 28"W x 46"H<br>34"W x 28"H | 34"W x 46"H      |



In the interest of product development, Louvers & Dampers reserves the right to make changes without notice.

[www.louvers-dampers.com](http://www.louvers-dampers.com)



450 Riverside Drive • Wyalusing PA, 18853 • Phone 570-746-1888 • Fax 570-746-9286

