

Backdraft Damper • 2" Deep • Single Thickness Blades • Pressure Relief Shutter • Extruded Aluminum

STANDARD CONSTRUCTION

FRAME: Standard $\frac{3}{8}$ " x 2" x $\frac{5}{8}$ " extruded aluminum channel, .080" thick (nominal).

BLADES: .060" thick (nominal) extruded aluminum.

SHAFT: $\frac{3}{16}$ " plated steel stub.

SEALS: Polyurethane foam at blade edges, none at jams.

BEARINGS: $\frac{3}{16}$ " I.D. Oilite bronze.

OPTIONS

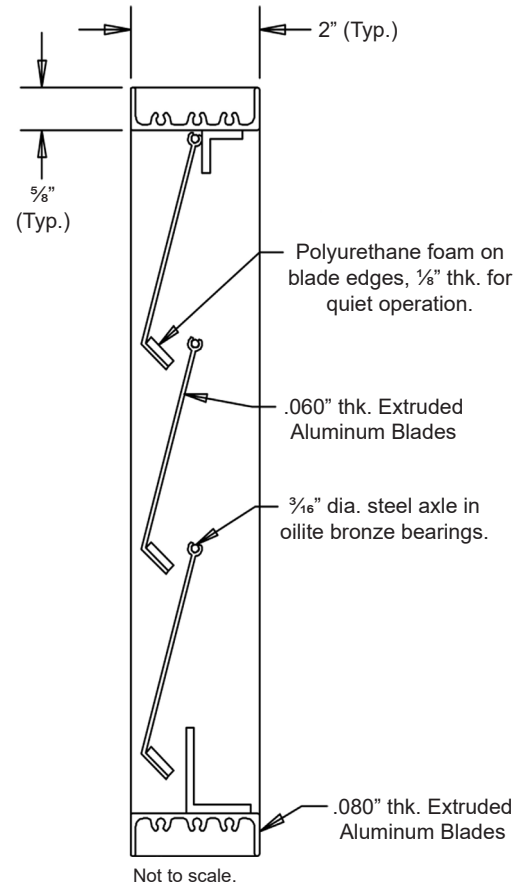
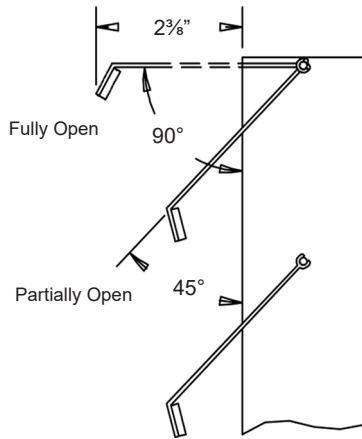
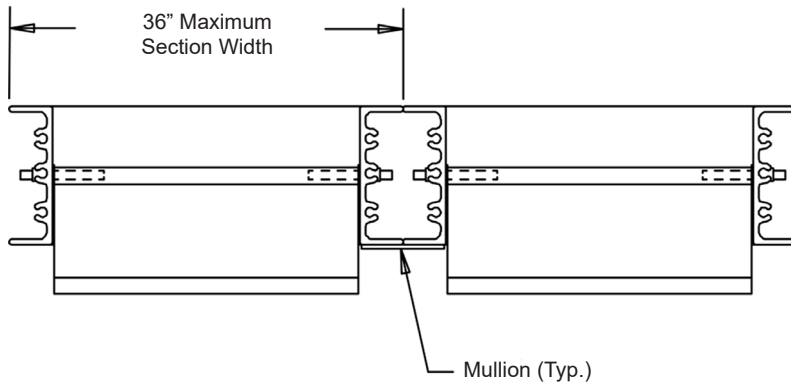
Various types of bird and insect screens.

NOTES

- $\frac{1}{4}$ " nominal deduction will be made to the opening size given.
- For counterweights, please specify airflow direction (horizontal, vertical up, or vertical down) and whether to the counterweight should assist or resist the damper opening.

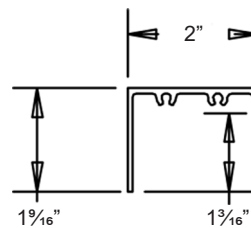
DAMPER SIZES

Min Panel	Max Single Panel
12"W x 12"H	36"W x 72"H

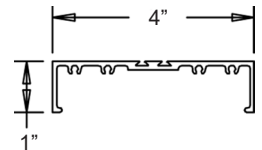


Optional Frames

Flanged Frame
2" or 4" Deep, .080" thk.



Channel Frame
4" or 6" Deep, .080" thk.



Item #	Qty	Width	Height	Width	Height	Mullion	Air Flow (Direction)	Job:
		Opening Size		Damper Size				
Arch. / Eng.:						EDR:	ECN:	
Contractor:								
Project:						Date:	DWN:	DWG:



Union Made

In the interest of product development, Louvers & Dampers reserves the right to make changes without notice.

www.louvers-dampers.com

450 Riverside Drive • Wyalusing PA, 18853 • Phone 570-746-1888 • Fax 570-746-9286

