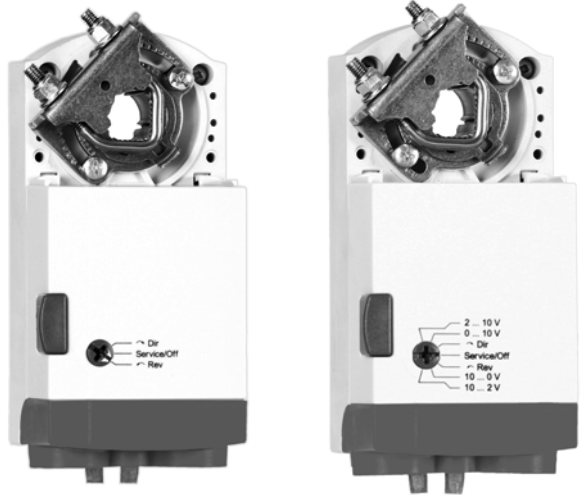


Direct Coupled Damper Actuators—Non-Spring Return

N05 Series: MN6105; MN7505

Non-Spring Return Direct Coupled Actuator, 44 lb-in



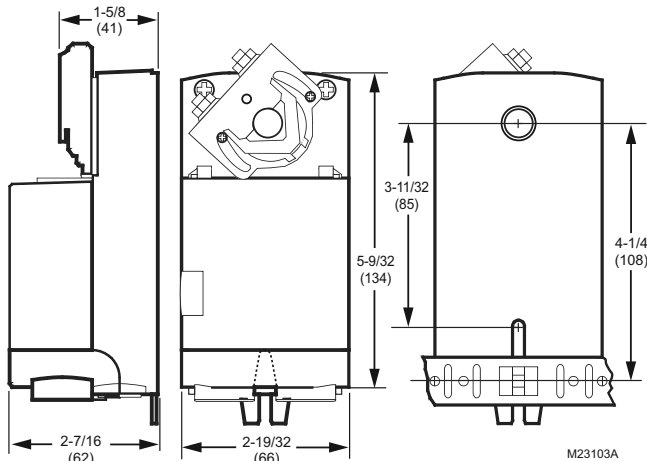
MN6105A

MN7505A

This non-spring return direct-coupled damper actuator provides modulating and floating/2-position control for: air dampers, VAV units, air handlers, ventilation flaps, louvers, and reliable control for air damper applications with up to 10 sq. ft./ 44lb.-in. (5 Nm) and 20 sq. ft./88 lb.-in. (10 Nm) (seal-less damper blades; air friction-dependent).

- Declutch for manual adjustment
- Adjustable mechanical end limits
- Removable access cover for direct wiring
- Mountable in any orientation
- Function selection switch for selecting modulating or floating/2-position control

Dimensions in inches (millimeters)



Electrical Connections: Enclosed screw terminal strip (22 to 14 AWG)

Environmental Rating: NEMA2

Frequency: 50 Hz; 60 Hz

Manual operation: Declutch mechanism

Mounting: Direct Coupled

Maximum Noise Rating, Driving (dBA @ 1m): 35

Rotation to Open: By switch

Rotational Stroke Adjustment: Dual Integral Adj. Stops (3 degree increments)

Compatible Damper Shafts: 1/4 to 1/2 inch square; 3/8 to 5/8 inch round (6-13 mm square; 8-16 mm round)

Shaft Adapter Type: U-bolt clamp

Supply Voltage: 24 Vac +20%, -15%, 24 Vdc

Materials: Plenum rated plastic housing

Ingress Protection Rating: IP54

Operating Humidity Range (% RH): 5 to 95% RH, non-condensing

Ambient Temperature Range: -5 F to +140 F (-20 C to +60 C)

Storage Temperature Range: -22 F to +176 F (-30 C to +80 C)

Weight: 1 lb (0.45 kg)

Approvals:

CE: 89/336/ECC, 73/23/EEC

C-Tick: N314

Underwriters Laboratories Inc. UL873, Plenum Rated

Underwriters' Laboratories of Canada: cUL C22.2 No. 24-93

Includes: Mounting bracket, screws, shaft adapter, water-tight strain-relief cable fittings

Comments: Integral 1/2 in. NPSM conduit connection.

Actuator Type: Damper; Valve
Rotational Stroke: 95 ±3 degrees
Fail Safe Mode: Non-Spring Return
Torque: 44 lb-in. (5 Nm)
Maximum Stall Torque: 70 lb-in. (8 Nm)

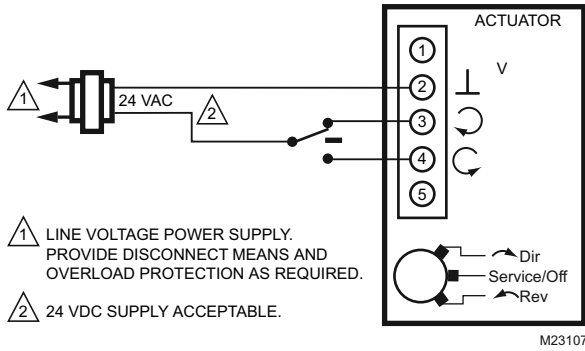
Product Number	Control Signal	Feedback	Timing (seconds)	Power Consumption	Supply Voltage	Number of Internal Auxiliary Switch	Switch Ratings
			Nominal Driving @ 60 Hz	Driving			
* MN6105A1011	Floating; Two position	—	95 sec	5 VA	24 Vac +20%, -15%, 24 Vdc	0	—
* MN6105A1201	Floating; Two position	—	95 sec	5 VA	24 Vac +20%, -15%, 24 Vdc	2	30 Vdc max., 3 A Class II
* MN7505A2001	(0)2-10 Vdc (4-20 mA w/500 ohm resistor); Floating; Two position	(0)2-10 Vdc (max. output: ±1.0 mA)	95 sec	5 VA	24 Vac +20%, -15%, 24 Vdc	0	—
* MN7505A2209	(0)2-10 Vdc (4-20 mA w/500 ohm resistor); Floating; Two position	(0)2-10 Vdc (max. output: ±1.0 mA)	95 sec	5 VA	24 Vac +20%, -15%, 24 Vdc	2	30 Vdc max., 3 A Class II

* TRADELINE models • SUPER TRADELINE models

Direct Coupled Damper Actuators—Non-Spring Return

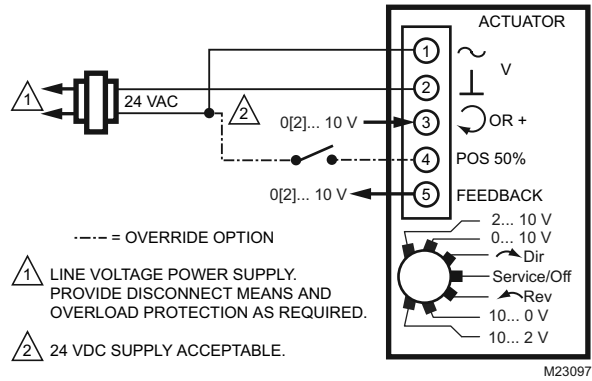
Wiring for Floating Control

MN6105, MN6110
FLOATING: DIR ↻



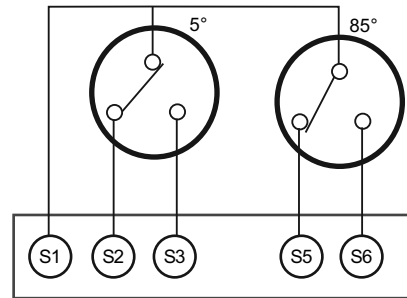
Wiring for Voltage Control

MN7505, MN7510
MODULATING: 0[2]... 10 V, 10... 0[2] V



Wiring for Auxiliary Switches

END SWITCHES (CLASS II-ONLY)



M23110