

Transition - Round, Oval, or Square

Fire Damper • Models: 17S, 17D, 38S, 38D

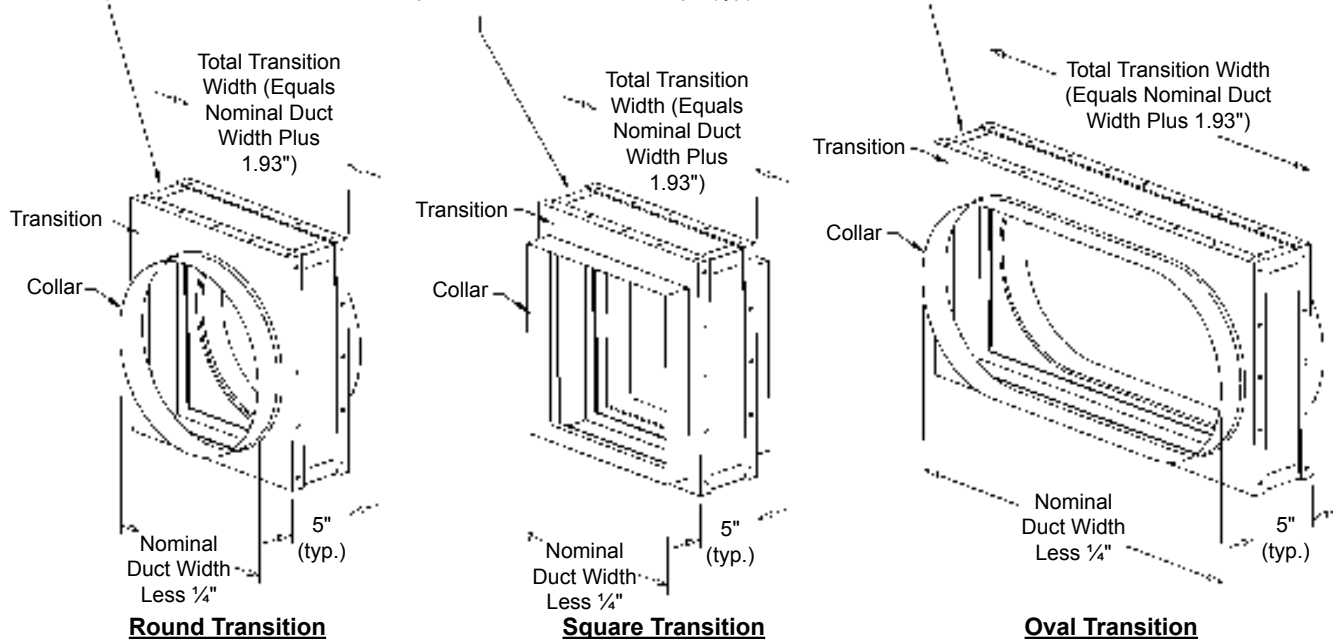
APPLICATION

By having a transition on the fire damper, it allows 100% free area. The transition can also allow for smaller duct work than the frame size. The transition can be used to mount into round or oval duct work. Reference SI-SSFD for Stainless Steel construction sizes.

PANEL SIZE LIMITATIONS

		2000 fpm, 4 in.wg (17DC and 38DC only)				4000 fpm, 4 in.wg	
Orientation	Hor & Vert	Horizontal		Vertical		Vertical Only	
Panel	Minimum Panel	Maximum Single Panel	Maximum Assembly	Maximum Single Panel	Maximum Assembly	Maximum Single Panel	
Model	17SC	4"W x 4"H (duct) (6"W x 7"H frame)	46"W x 42"H (duct) (48"W x 48"H frame)	100"W x 42"H (duct) (102"W x 48"H frame)	58"W x 54"H (duct) (60"W x 60"H frame)	118"W x 114"H (duct) (120"W x 120"H frame)	not available
	38SC	4"W x 4"H (duct) (6"W x 7"H frame)	46"W x 42"H (duct) (48"W x 48"H frame)	70"W x 31"H (duct) (72"W x 36"H frame)	34"W x 31"H (duct) (36"W x 36"H frame)	70"W x 67"H (duct) (72"W x 72"H frame)	not available
	17DC	4"W x 4"H (duct) (6"W x 7"H frame)	22"W x 20"H (duct) (24"W x 24"H frame)	not available	34"W x 31"H (duct) (36"W x 36"H frame)	70"W x 31"H (duct) (72"W x 36"H frame)	16"W x 31"H (duct) (18"W x 36"H frame)
	38DC	4"W x 4"H (duct) (6"W x 7"H frame)	22"W x 20"H (duct) (24"W x 24"H frame)	not available	34"W x 31"H (duct) (36"W x 36"H frame)	70"W x 31"H (duct) (72"W x 36"H frame)	16"W x 31"H (duct) (18"W x 36"H frame)

UL Listed Hi-Temp Pressure Sensitive Foil Tape (typ)

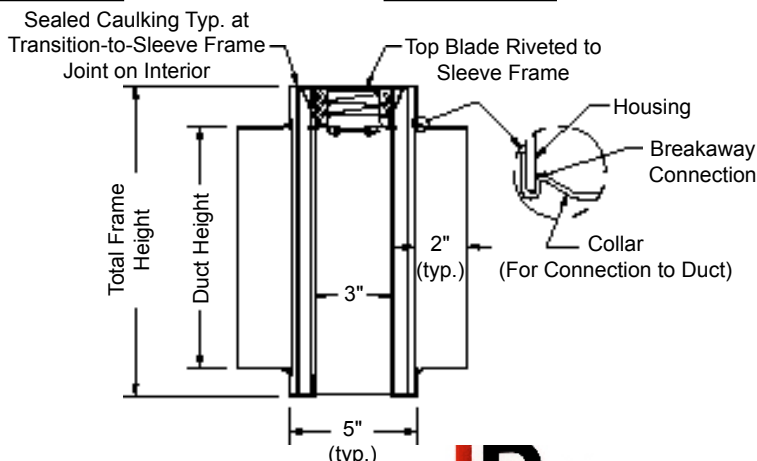


Round Transition

Square Transition

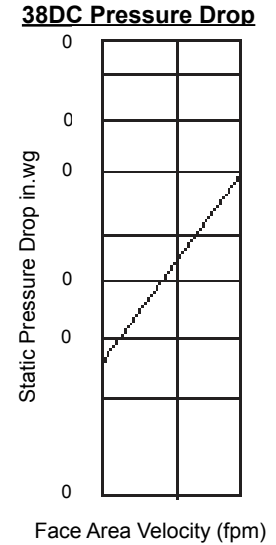
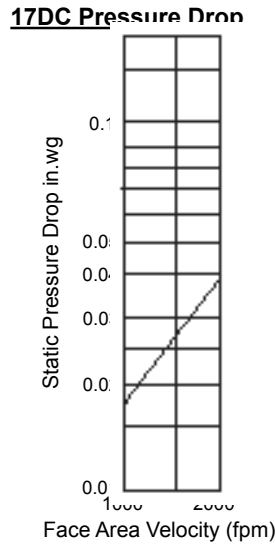
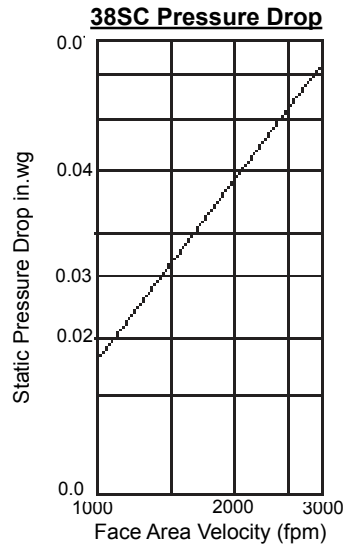
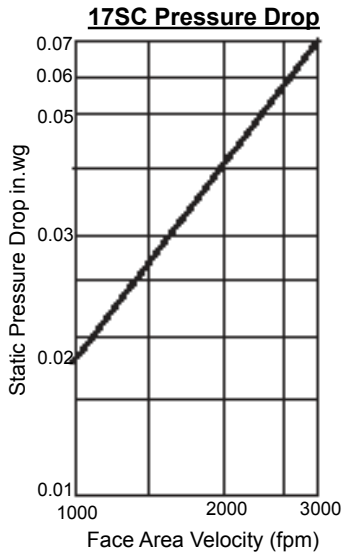
Oval Transition

Sizing Chart			
Width Size (17S, 38S, 17D, 38D)		Duct Width	Add for Frame Width
		4" - 120"	2"
Height Sizing Chart (17S, 38SH, 17D, 38D)		Height Sizing Chart (38SV)	
Duct Height	Add for Frame Height	Duct Height	Add for Frame Height
4" - 18"	3"	4" - 18"	3"
19" - 28"	4"	19" - 28"	4"
29" - 40"	5"	29" - 31"	5"
41" - 54"	6"	32" - 36"	3"
55" - 57"	4"	37" - 60"	4"
58" - 84"	5"	61" - 67"	5"
85" - 114"	6"		



Transition - Round, Oval, or Square

Fire Damper • Models: 17S, 17D, 38S, 38D



With 100% Free Area, Pressure Drop is determined by FACE Area Velocity (in lieu of Free Area Velocity).

$$\text{Face Area Velocity (fpm)} = \frac{\text{Flow (cfm)}}{\text{Face Area (sq.ft.)}}$$