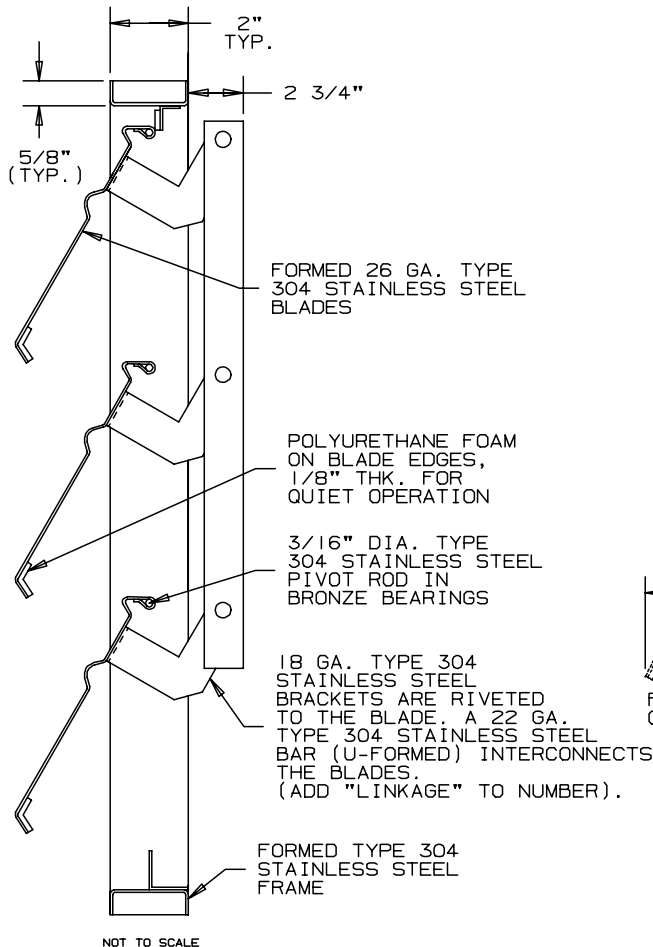


LOUVERS & DAMPERS

BACKDRAFT DAMPERS
STAINLESS STEEL

TYPE D503

LIGHT DUTY - PRESSURE RELIEF SHUTTERS



- MORE EFFICIENT
- CLOSURES MORE POSITIVELY

SPECIFICATIONS

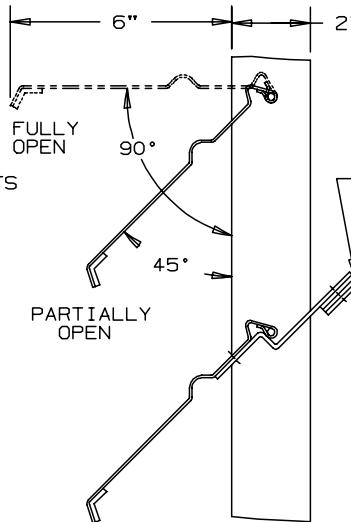
FRAME: STANDARD 5/8"x2"x5/8" FORMED TYPE 304, 16 GA. STAINLESS STEEL CHANNEL.
 BLADE: 26 GA. TYPE 304 STAINLESS STEEL, FORMED OVER A 3/16" DIA. STAINLESS STEEL ROD.
 SEALS: POLYURETHANE FOAM AT BLADE EDGES, NONE AT JAMBS.
 BEARINGS: BRONZE OILITE.
 LINKAGE: 18 GA. TYPE 304 STAINLESS STEEL CHEVRON BRACKET WITH 22 GA. TYPE 304 STAINLESS STEEL LINKAGE BAR.

OPTIONAL FEATURES:

- NO BLADE TO BLADE LINKAGE
- ADJUSTABLE COUNTERBALANCE (CB) - SPECIFY TO ASSIST OR RESIST OPENING, LINKAGE MUST BE USED.
- SCREEN - BIRD OR INSECT.

MAXIMUM PANEL SIZE: 36" W x 60" H.

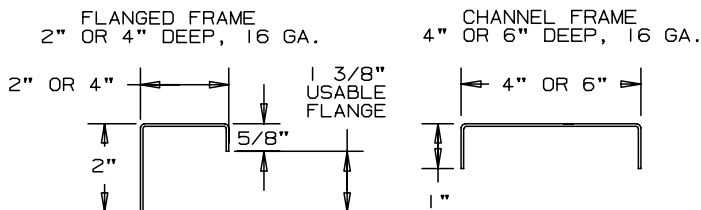
SPECIFY AIR FLOW (AF) AS "HORIZONTAL", "VERTICAL UP" OR "VERTICAL DOWN"



OPTIONAL: ADJUSTABLE COUNTERBALANCE WITH VARIABLE COUNTERWEIGHTS FOR CALIBRATION. (ADD "CB" TO TYPE NUMBER). BLADE LINKAGE REQUIRED.

CLEARANCE DIMENSIONS

OPTIONAL FRAMES



FOR PERFORMANCE DATA SEE REVERSE SIDE

NOMINAL DEDUCTIONS WILL BE MADE TO THE OPENING SIZE GIVEN.

ITEM	QTY.	WIDTH	HEIGHT	WIDTH	HEIGHT	MULL	COUNTER BALANCE	AIR FLOW (DIRECTION)	 UNION MADE				
		OPENING SIZE		DAMPER SIZE									



LOUVERS & DAMPERS
 A Mestek Company
 450 Riverside Drive
 Wyalusing, PA 18853

AGENT: _____

ARCH./ENG. :

CONTR. :

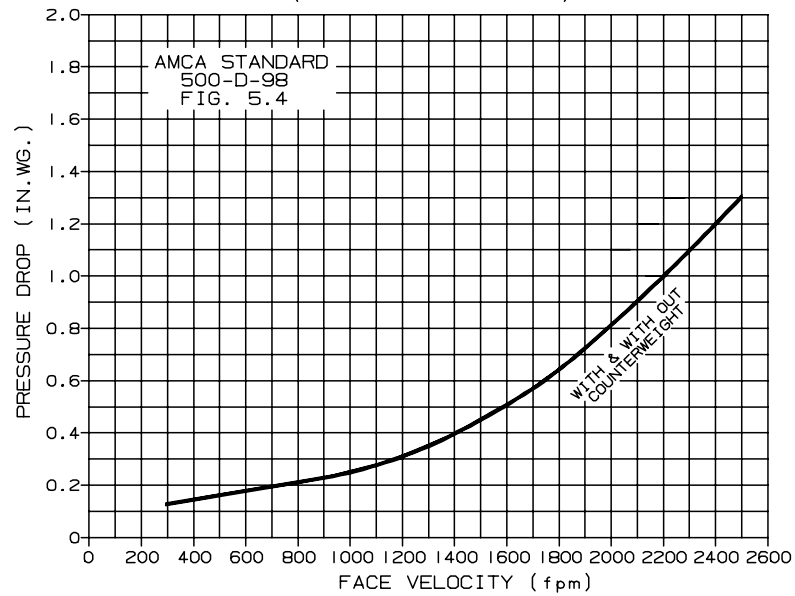
PROJECT :

EDR: ECN: JOB:

DATE: DWN. : DWG. :

L&D MODEL D503 BACKDRAFT DAMPER PERFORMANCE DATA

PRESSURE DROP CURVE (SIZE TESTED 36"x39")



BLADE ANGLE CURVE (SIZE TESTED 36"x39")

