

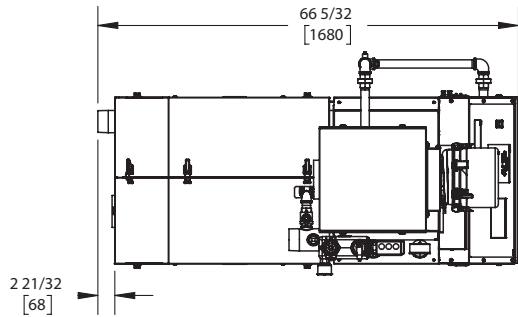
KN6+

Category II or Category IV Appliance
(see Installation and Operation Manual for venting information)

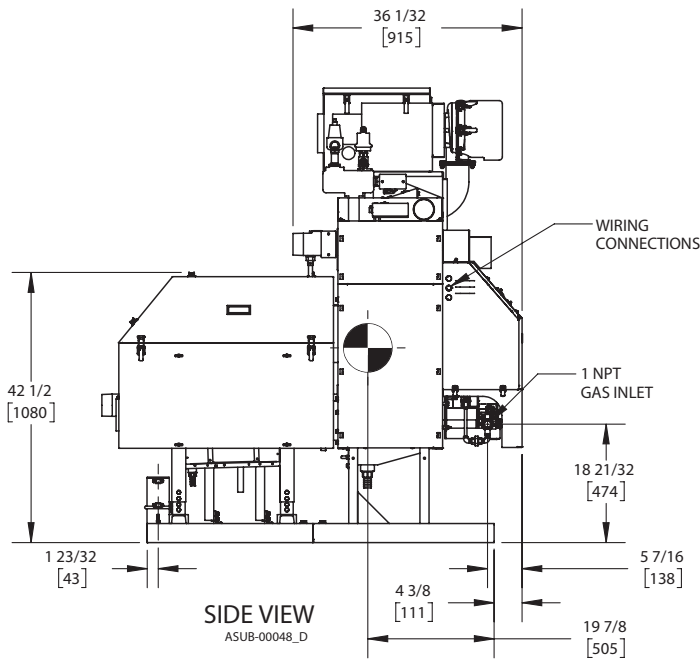
CODE OPTIONS

| | |
|-------|----------|
| CSD-1 | STANDARD |
|-------|----------|

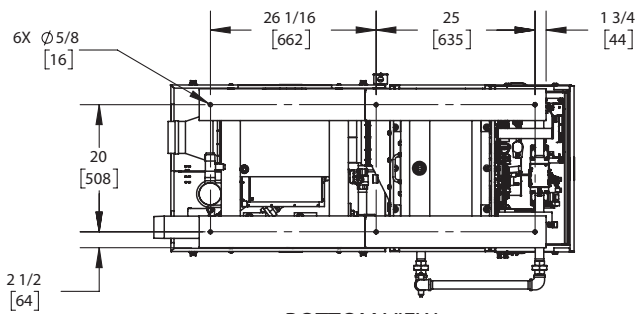
INDOOR UNIT



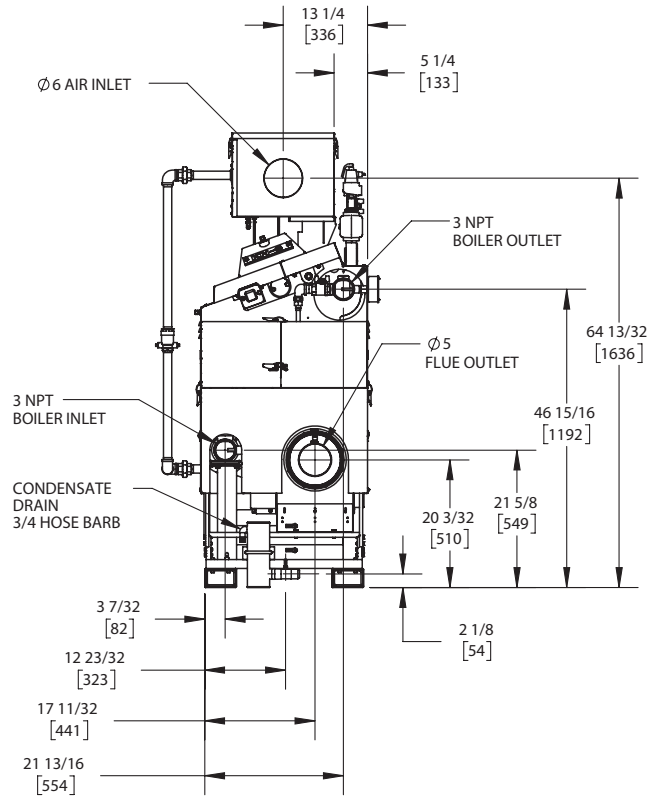
TOP VIEW
ASUB-00048_D



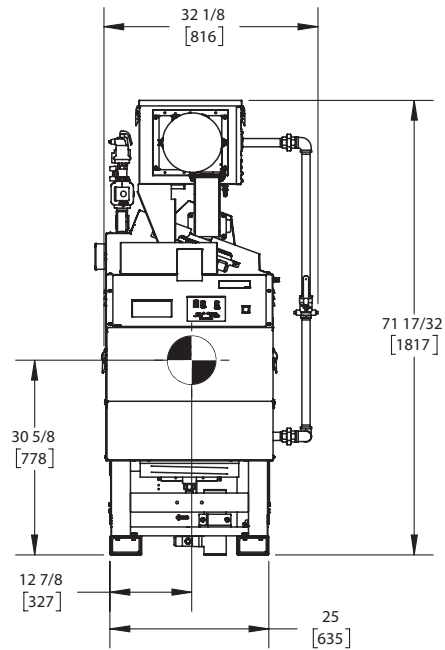
SIDE VIEW
ASUB-00048_D



BOTTOM VIEW
ASUB-00048_D



REAR VIEW
ASUB-00048_D



FRONT VIEW
ASUB-00048_D

NOTES:

1. SYMBOL INDICATES CENTER OF GRAVITY.
2. DIMENSIONS ARE NOMINAL AND SUBJECT TO MANUFACTURING VARIATION AND SHOULD NOT BE USED FOR "ROUGHING IN".
3. ALL DIMENSIONS ARE INCHES [mm].



A.G.A. CERTIFIED RATINGS & CAPACITIES

| | | | |
|--------------------------------|--------------------|-----------------------------------|---------------------|
| Fuel Type | Natural/LP Gas | Boiler FLA | 16.52 A* |
| Input BTU/hr. | 600,000 / 176 KW | Min. Gas Pressure Required | 3" W.C. |
| Output BTU/hr. | 576,600 / 169 KW | Max. Gas Pressure Allowed | 14" W.C. |
| Boiler HP | 17.2 | Water Volume | 10.5 gal. |
| Electrical Requirements | 120VAC/ 60 hz/ 1PH | Operating Weight | 1485 lbs. / 674 kg. |
| SCCR Rating | 5kA | | |

BOILER TRIM & CONTROLS

| | | | |
|--------------------------|-------------------|----------------------------|----------------------|
| Main Gas Valve | Dungs MBC | Air Switch | Huba |
| Firing Valve | 1" Apollo | Flow Sensor | SIKA |
| Ignition Control | Honeywell RM7895C | Blocked Flue Switch | Cleveland NS2 |
| Operating Control | HeatNet® | Blower Motor | Ametek |
| High Limit | Honeywell L4006E | L.W.C.O. | 800 |
| Main Ball Valve | 1" Apollo | Relief Valve | 30, 50, 75 & 100 PSI |
| Pilot Cock | 1/4" Conbraco | Pilot Regulator | Maxitrol RV12LT |

A.S.M.E.

| | | | |
|--|-----------------------------|--------------------|-----------------|
| ASME Sect IV Fire Side Htg Surface | 26.60 Sq. Ft. / 2.47 Sq. M. | Design Data | 100 PSI & 250°F |
| ASME Sect IV Water Side Htg Surface | 28.44 Sq. Ft. / 2.64 Sq. M. | | |
| CV. GPM (1PSID) | 62 | | |

*Add circulator amps.

TEMPERATURE RISE / PRESSURE DROP (Based on Full Input)

| 20°F / 11.1°C | | | | 40°F / 22.2°C | | | | 60°F / 33.3°C | | | | 80°F / 44.4°C | | | | 100°F / 55.5°C | | | |
|---------------|------|---------------|------|---------------|------|---------------|------|---------------|------|---------------|-----|---------------|-----|---------------|-----|----------------|-----|---------------|-----|
| Flow Rate | | Pressure Drop | | Flow Rate | | Pressure Drop | | Flow Rate | | Pressure Drop | | Flow Rate | | Pressure Drop | | Flow Rate | | Pressure Drop | |
| GPM | L/s | Ft | kPa | GPM | L/s | Ft | kPa | GPM | L/s | Ft | kPa | GPM | L/s | Ft | kPa | GPM | L/s | Ft | kPa |
| 57.7 | 3.64 | 2.00 | 5.97 | 28.8 | 1.82 | .50 | 1.49 | 19.2 | 1.21 | .22 | .66 | 14.4 | .91 | .12 | .37 | 11.5 | .73 | .08 | .24 |

| Flow GPM | | Temp. Rise** (°F) | | Vent Length (Equiv. Ft.) | | Air Inlet Length (Equiv. Ft.) | |
|----------|------|-------------------|-----|--------------------------|-----|-------------------------------|-----|
| Min | Max | Min | Max | Min | Max | Min | Max |
| 11.5 | 57.7 | 20 | 100 | 6 | 100 | 0 | 100 |

**Min/Max delta t reflects boiler operation at full input. For applications requiring operation above/below these parameters please consult factory.

| | |
|---------------------|-------|
| REP FIRM | _____ |
| SUBMITTED BY | _____ |
| JOB NAME | _____ |
| ARCHITECT | _____ |
| ENGINEER | _____ |
| CONTRACTOR | _____ |
| DATE | _____ |

KN6+

Category II or Category IV Appliance
(see Installation and Operation Manual for venting information)



A Division of Mestek, Inc.
Westfield, MA 01085
(413) 564-5515