

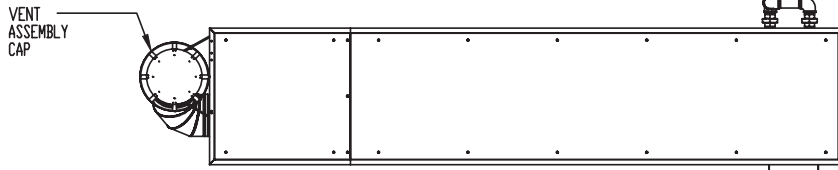
KN40X+

Category II or Category IV Appliance
(see Installation and Operation Manual for venting information)

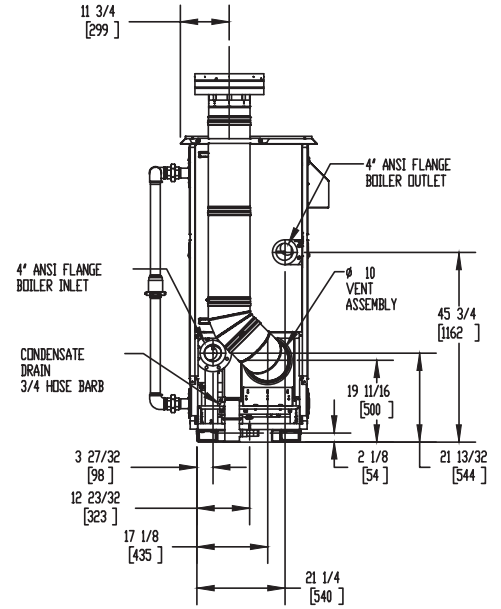
CODE OPTIONS

CSD-1	STANDARD
-------	----------

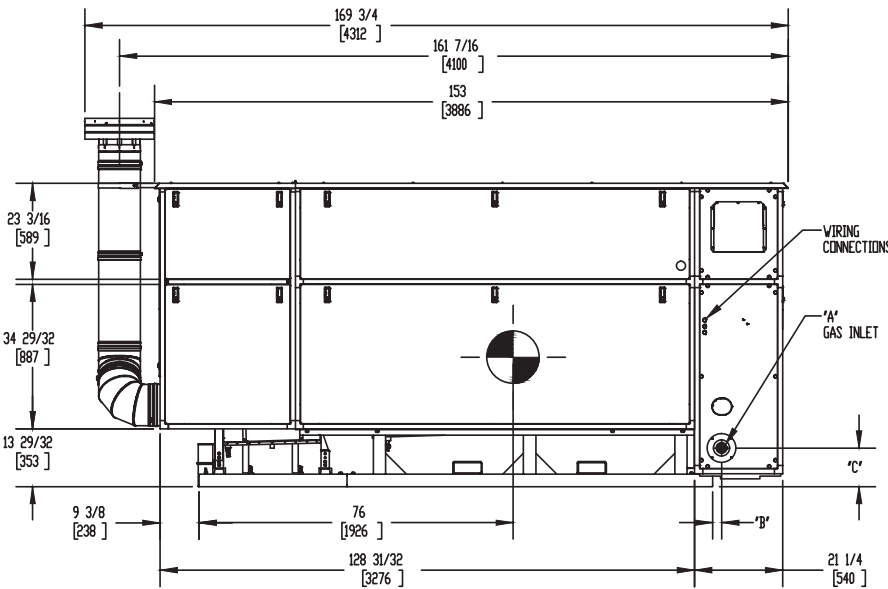
OUTDOOR UNIT



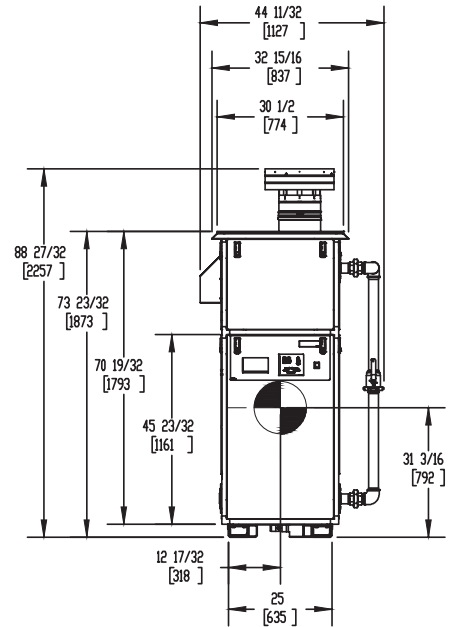
TOP VIEW
ASUB-00068_B



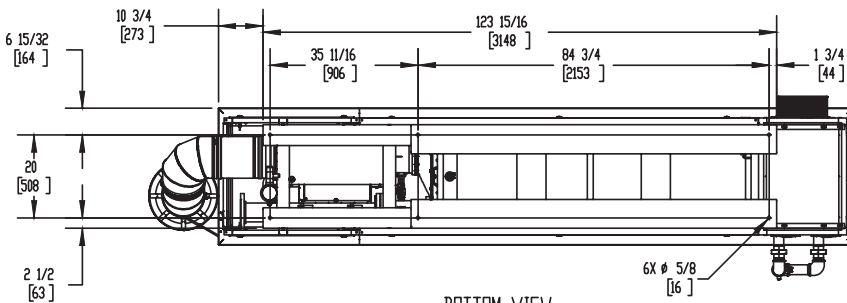
REAR VIEW
ASUB-00068_B



SIDE VIEW
ASUB-00068_B



FRONT VIEW
ASUB-00068_B



BOTTOM VIEW
ASUB-00068_B

NOTES:

1. SYMBOL INDICATES CENTER OF GRAVITY.
2. DIMENSIONS ARE NOMINAL AND SUBJECT TO MANUFACTURING VARIATION AND SHOULD NOT BE USED FOR 'ROUGHING IN'.
3. ALL DIMENSIONS ARE INCHES [mm].

GAS OPTION	'A'	'B'	'C'
NG	2 NPT	2-7/32	9-9/32
LP	1-1/2	2-7/8	16-3/32



A.G.A. CERTIFIED RATINGS & CAPACITIES

Fuel Type	Natural/LP Gas	Boiler FLA	17.0 A*
Input BTU/hr.	4,000,000 / 1172 KW	Min. Gas Pressure Required	3" W.C.
Output BTU/hr.	3,804,000 / 1115 KW	Max. Gas Pressure Allowed	14" W.C.
Boiler HP	113.6	Water Volume	47.1 gal.
Electrical Requirements	230VAC/60 hz/3PH	Operating Weight	5120 lbs. / 2322 kg.
SCCR Rating	5kA		

BOILER TRIM & CONTROLS

Main Gas Valve	Dungs MBC	Air Switch	Huba
Firing Valve	2" Apollo	Flow Sensor	SIKA
Ignition Control	Honeywell RM7895C	Blocked Flue Switch	Cleveland NS2
Operating Control	HeatNet®	Blower Motor	Ametek
High Limit (Manual Reset)	Honeywell L4006E	L.W.C.O.	800
High Limit (Auto Reset)	Honeywell L4006A	Relief Valve	30, 50, 75 & 100 PSI
Main Ball Valve	2" Apollo	Pilot Regulator	Maxitrol RV12LT
Pilot Cock	1/4" Conbraco		

A.S.M.E.

ASME Sect IV Fire Side Htg Surface	139.63 Sq. Ft. / 12.97 Sq. M.	Design Data	100 PSI & 250°F
ASME Sect IV Water Side Htg Surface	149.29 Sq. Ft. / 13.87 Sq. M.		
CV. GPM (1PSID)	271		

*Add circulator amps.

TEMPERATURE RISE / PRESSURE DROP (Based on Full Input)

20°F / 11.1°C				40°F / 22.2°C				60°F / 33.3°C				80°F / 44.4°C				100°F / 55.5°C			
Flow Rate		Pressure Drop		Flow Rate		Pressure Drop		Flow Rate		Pressure Drop		Flow Rate		Pressure Drop		Flow Rate		Pressure Drop	
GPM	L/s	Ft	kPa	GPM	L/s	Ft	kPa	GPM	L/s	Ft	kPa	GPM	L/s	Ft	kPa	GPM	L/s	Ft	kPa
380.6	24.01	4.55	13.60	190.3	12.00	1.14	3.40	126.9	8.00	.51	1.51	95.1	6.00	.28	.85	76.1	4.80	.18	.54

Flow GPM				Temp. Rise** (°F)				Vent Length (Equiv. Ft.)				Air Inlet Length (Equiv. Ft.)			
Min		Max		Min		Max		Min		Max		Min		Max	
76.1		380.6		20		100		6		100		0		100	

**Min/Max delta t reflects boiler operation at full input. For applications requiring operation above/below these parameters please consult factory.

REP FIRM	_____	<h1>KN40X+</h1> <p>Category II or Category IV Appliance (see Installation and Operation Manual for venting information)</p>  <p>A Division of Mestek, Inc. Westfield, MA 01085 (413) 564-5515</p>
SUBMITTED BY	_____	
JOB NAME	_____	
ARCHITECT	_____	
ENGINEER	_____	
CONTRACTOR	_____	
DATE	_____	