

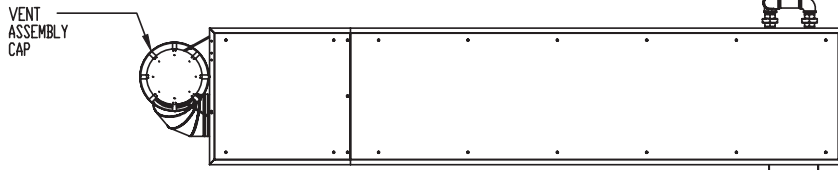
KN40X+

Category II or Category IV Appliance
(see Installation and Operation Manual for venting information)

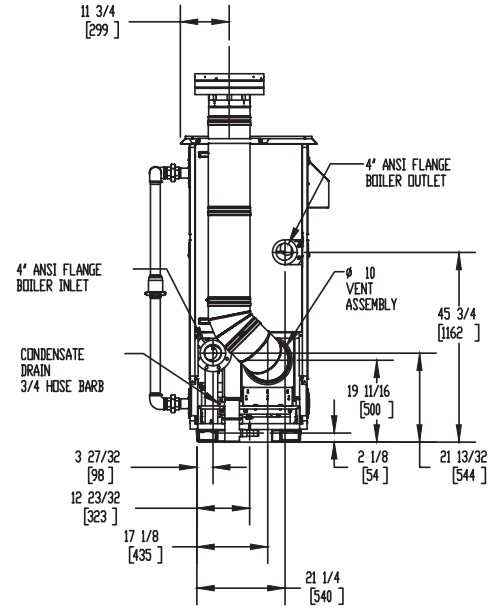
CODE OPTIONS

| | |
|-------|----------|
| CSD-1 | STANDARD |
|-------|----------|

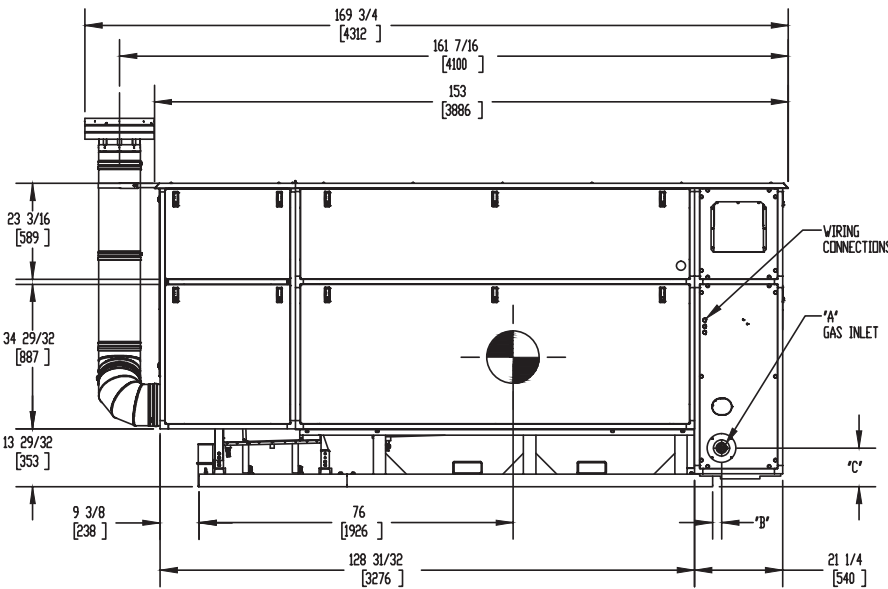
OUTDOOR UNIT



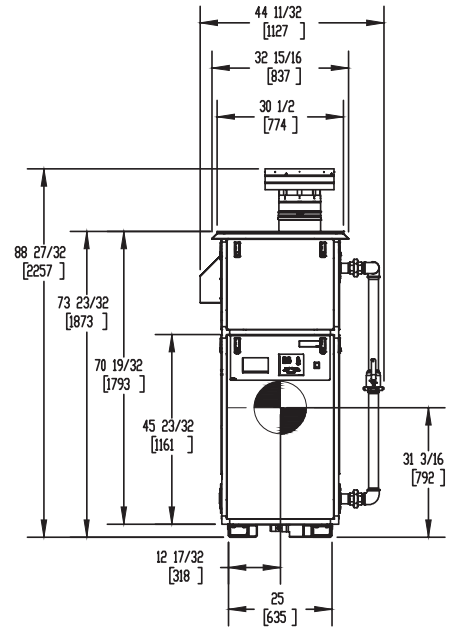
TOP VIEW
ASUB-00068_B



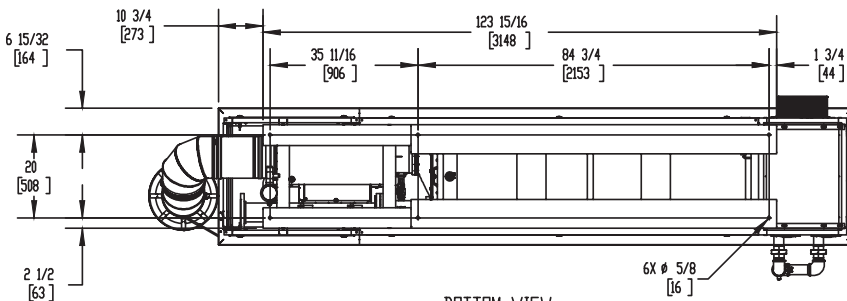
REAR VIEW
ASUB-00068_B



SIDE VIEW
ASUB-00068_B



FRONT VIEW
ASUB-00068_B



BOTTOM VIEW
ASUB-00068_B

NOTES:

1. SYMBOL INDICATES CENTER OF GRAVITY.
2. DIMENSIONS ARE NOMINAL AND SUBJECT TO MANUFACTURING VARIATION AND SHOULD NOT BE USED FOR 'ROUGHING IN'.
3. ALL DIMENSIONS ARE INCHES [mm].

| GAS OPTION | "A" | "B" | "C" |
|------------|-------|--------|---------|
| NG | 2 NPT | 2-7/32 | 9-9/32 |
| LP | 1-1/2 | 2-7/8 | 16-3/32 |



A.G.A. CERTIFIED RATINGS & CAPACITIES

| | | | |
|--------------------------------|---------------------|-----------------------------------|----------------------|
| Fuel Type | Natural/LP Gas | Boiler FLA | 17.0 A* |
| Input BTU/hr. | 4,000,000 / 1172 KW | Min. Gas Pressure Required | 3" W.C. |
| Output BTU/hr. | 3,804,000 / 1115 KW | Max. Gas Pressure Allowed | 14" W.C. |
| Boiler HP | 113.6 | Water Volume | 47.1 gal. |
| Electrical Requirements | 230VAC/60 hz/3PH | Operating Weight | 5120 lbs. / 2322 kg. |
| SCCR Rating | 5kA | | |

BOILER TRIM & CONTROLS

| | | | |
|----------------------------------|-------------------|----------------------------|----------------------|
| Main Gas Valve | Dungs MBC | Air Switch | Huba |
| Firing Valve | 2" Apollo | Flow Sensor | SIKA |
| Ignition Control | Honeywell RM7895C | Blocked Flue Switch | Cleveland NS2 |
| Operating Control | HeatNet® | Blower Motor | Ametek |
| High Limit (Manual Reset) | Honeywell L4006E | L.W.C.O. | 800 |
| High Limit (Auto Reset) | Honeywell L4006A | Relief Valve | 30, 50, 75 & 100 PSI |
| Main Ball Valve | 2" Apollo | Pilot Regulator | Maxitrol RV12LT |
| Pilot Cock | 1/4" Conbraco | | |

A.S.M.E.

| | | | |
|------------------------------------|-------------------------------|--------------------|-----------------|
| ASME Fire Side Htg Surface | 134.23 Sq. Ft. / 12.47 Sq. M. | Design Data | 100 PSI & 250°F |
| ASME Water Side Htg Surface | 165.9 Sq. Ft. / 15.4 Sq. M. | | |
| CV. GPM (1PSID) | 271 | | |

*Add circulator amps.

TEMPERATURE RISE / PRESSURE DROP (Based on Full Input)

| 20°F / 11.1°C | | | | 40°F / 22.2°C | | | | 60°F / 33.3°C | | | | 80°F / 44.4°C | | | | 100°F / 55.5°C | | | |
|---------------|-------|---------------|-------|---------------|-------|---------------|------|---------------|------|---------------|------|---------------|------|---------------|-----|----------------|------|---------------|-----|
| Flow Rate | | Pressure Drop | | Flow Rate | | Pressure Drop | | Flow Rate | | Pressure Drop | | Flow Rate | | Pressure Drop | | Flow Rate | | Pressure Drop | |
| GPM | L/s | Ft | kPa | GPM | L/s | Ft | kPa | GPM | L/s | Ft | kPa | GPM | L/s | Ft | kPa | GPM | L/s | Ft | kPa |
| 380.6 | 24.01 | 4.55 | 13.60 | 190.3 | 12.00 | 1.14 | 3.40 | 126.9 | 8.00 | .51 | 1.51 | 95.1 | 6.00 | .28 | .85 | 76.1 | 4.80 | .18 | .54 |

| Flow GPM | | | | Temp. Rise** (°F) | | | | Vent Length (Equiv. Ft.) | | | | Air Inlet Length (Equiv. Ft.) | | | |
|----------|--|-------|--|-------------------|--|-----|--|--------------------------|--|-----|--|-------------------------------|--|-----|--|
| Min | | Max | | Min | | Max | | Min | | Max | | Min | | Max | |
| 76.1 | | 380.6 | | 20 | | 100 | | 6 | | 100 | | 0 | | 100 | |

**Min/Max delta t reflects boiler operation at full input. For applications requiring operation above/below these parameters please consult factory.

| | | |
|---------------------|-------|----------------------------------------------------------------------------------------------------------------------------------------------------------------------------------------------------------------------------------------------------------------------------------------------------------|
| REP FIRM | _____ | <h1>KN40X+</h1> <p>Category II or Category IV Appliance (see Installation and Operation Manual for venting information)</p>  <p>A Division of Mestek, Inc. Westfield, MA 01085 (413) 564-5515</p> |
| SUBMITTED BY | _____ | |
| JOB NAME | _____ | |
| ARCHITECT | _____ | |
| ENGINEER | _____ | |
| CONTRACTOR | _____ | |
| DATE | _____ | |