

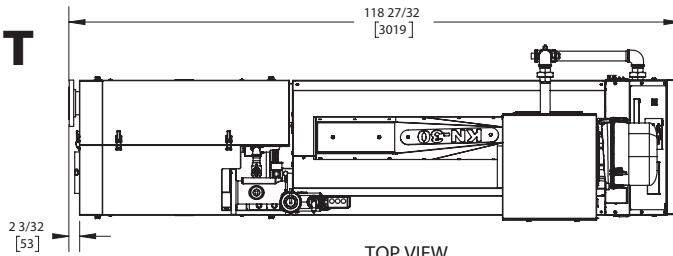
KN30+ DUAL FUEL

Category II or Category IV Appliance
(see Installation and Operation Manual for venting information)

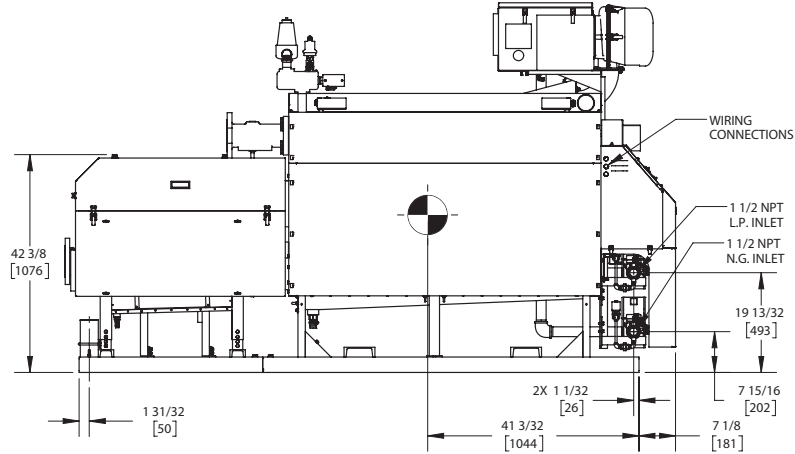
CODE OPTIONS

CSD-1	STANDARD
-------	----------

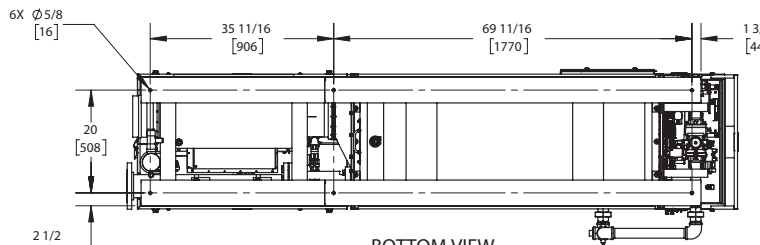
INDOOR UNIT



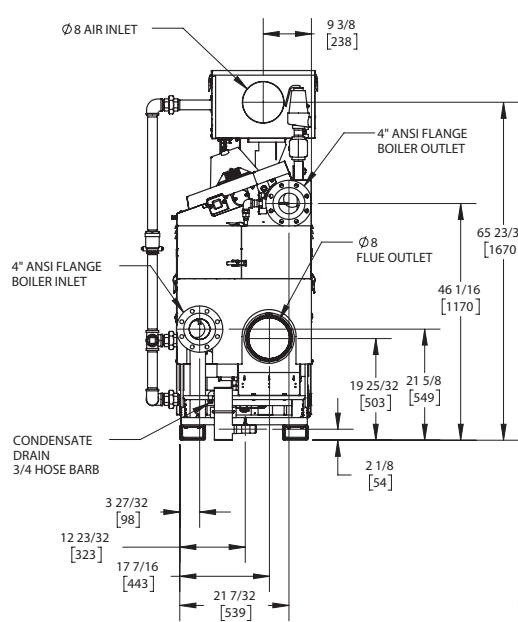
TOP VIEW
ASUB-00060_B



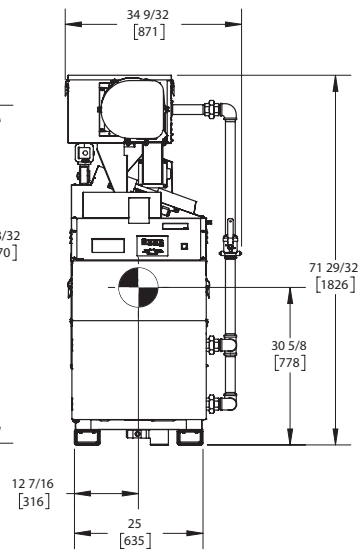
REAR VIEW
ASUB-00060_B



BOTTOM VIEW
ASUB-00060_B



REAR VIEW
ASUB-00060_B



FRONT VIEW
ASUB-00060_B

NOTES:

1. SYMBOL INDICATES CENTER OF GRAVITY.
2. DIMENSIONS ARE NOMINAL AND SUBJECT TO MANUFACTURING VARIATION AND SHOULD NOT BE USED FOR "ROUGHING IN".
3. ALL DIMENSIONS ARE INCHES [mm].



A.G.A. CERTIFIED RATINGS & CAPACITIES

Fuel Type	Natural/LP Gas	Boiler FLA	11.3 A*
Input BTU/hr.	3,000,000 / 879 KW	Min. Gas Pressure Required	3" W.C.
Output BTU/hr.	2,856,000 / 837 KW	Max. Gas Pressure Allowed	14" W.C.
Boiler HP	85.3	Water Volume	35.9 gal.
Electrical Requirements	230VAC/60 hz/3PH	Operating Weight	4250 lbs. / 1928 kg.
SCCR Rating	5kA		

BOILER TRIM & CONTROLS

Main Gas Valve	Dungs MBC	Air Switch	Huba
Firing Valve	1-1/2" Apollo	Flow Sensor	SIKA
Ignition Control	Honeywell RM7895C	Blocked Flue Switch	Cleveland NS2
Operating Control	HeatNet®	Blower Motor	Ametek
High Limit (Manual Reset)	Honeywell L4006E	L.W.C.O.	800
High Limit (Auto Reset)	Honeywell L4006A	Relief Valve	30, 50, 75 & 100 PSI
Main Ball Valve	1-1/2" Apollo	Pilot Regulator	Maxitrol RV12LT
Pilot Cock	1/4" Conbraco		

A.S.M.E.

ASME Sect IV Fire Side Htg Surface	106.38 Sq. Ft. / 9.88 Sq. M.	Design Data	100 PSI & 250°F
ASME Sect IV Water Side Htg Surface	113.74 Sq. Ft. / 10.57 Sq. M.		
CV. GPM (1PSID)	246		

*Add circulator amps.

TEMPERATURE RISE / PRESSURE DROP (Based on Full Input)

20°F / 11.1°C				40°F / 22.2°C				60°F / 33.3°C				80°F / 44.4°C				100°F / 55.5°C			
Flow Rate		Pressure Drop		Flow Rate		Pressure Drop		Flow Rate		Pressure Drop		Flow Rate		Pressure Drop		Flow Rate		Pressure Drop	
GPM	L/s	Ft	kPa	GPM	L/s	Ft	kPa	GPM	L/s	Ft	kPa	GPM	L/s	Ft	kPa	GPM	L/s	Ft	kPa
285.7	18.03	3.11	9.30	142.9	9.01	.78	2.33	95.2	6.01	.35	1.03	71.4	4.51	.19	.58	57.1	3.61	.12	.37

Flow GPM				Temp. Rise** (°F)				Vent Length (Equip. Ft.)				Air Inlet Length (Equip. Ft.)			
Min		Max		Min		Max		Min		Max		Min		Max	
57.1		285.7		20		100		6		100		0		100	

**Min/Max delta t reflects boiler operation at full input. For applications requiring operation above/below these parameters please consult factory.

REP FIRM	_____	<h1>KN30+ DUAL FUEL</h1> <p>Category II or Category IV Appliance (see Installation and Operation Manual for venting information)</p>  <p>A Division of Mestek, Inc. Westfield, MA 01085 (413) 564-5515</p>
SUBMITTED BY	_____	
JOB NAME	_____	
ARCHITECT	_____	
ENGINEER	_____	
CONTRACTOR	_____	
DATE	_____	