

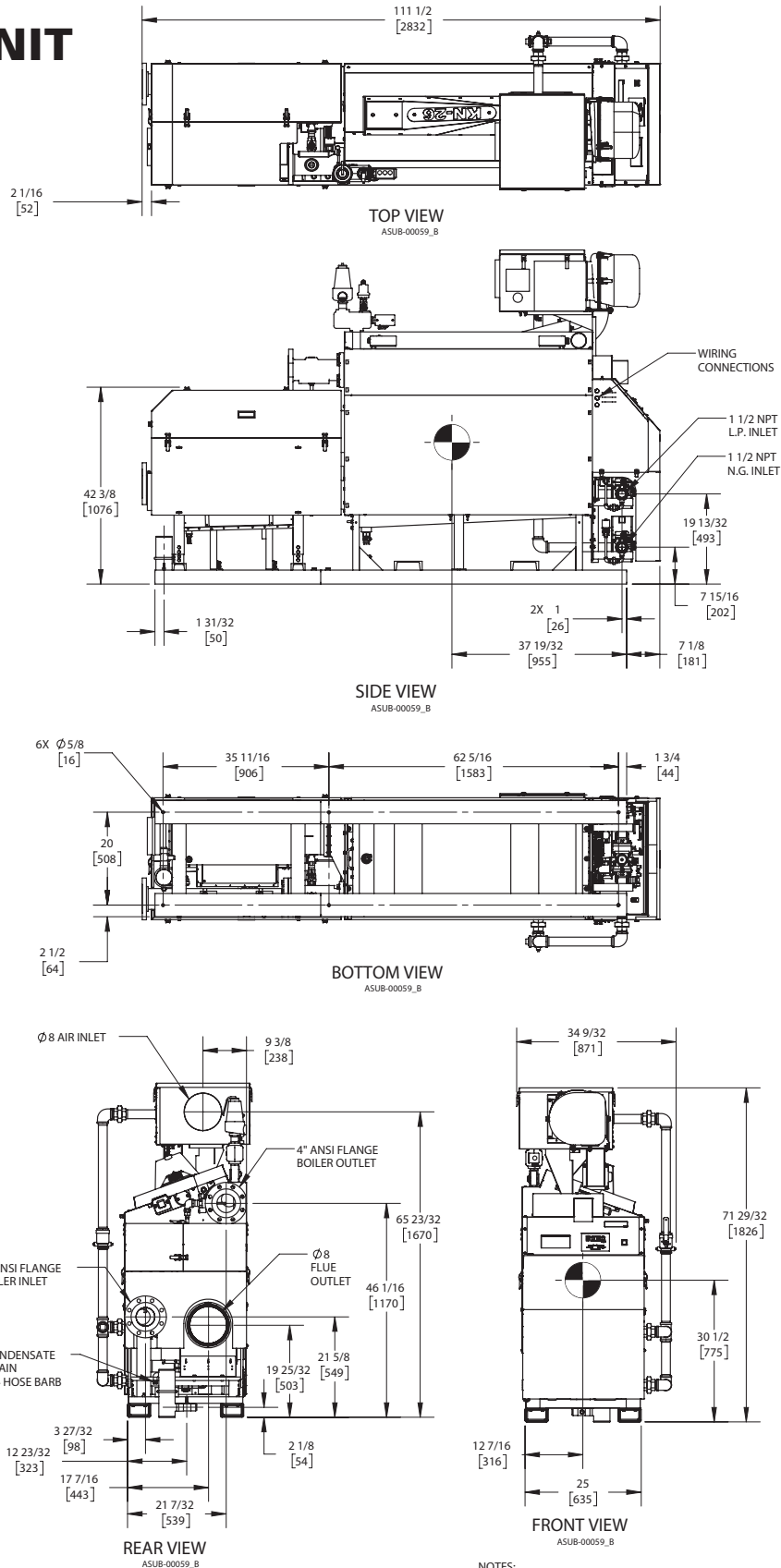
# KN26+ DUAL FUEL

Category II or Category IV Appliance  
(see Installation and Operation Manual for venting information)

## CODE OPTIONS

CSD-1	STANDARD
-------	----------

## INDOOR UNIT



- NOTES:
1. SYMBOL INDICATES CENTER OF GRAVITY.
  2. DIMENSIONS ARE NOMINAL AND SUBJECT TO MANUFACTURING VARIATION AND SHOULD NOT BE USED FOR "ROUGHING IN".
  3. ALL DIMENSIONS ARE INCHES [mm].



## A.G.A. CERTIFIED RATINGS & CAPACITIES

<b>Fuel Type</b>	Natural/LP Gas	<b>Boiler FLA</b>	11.3 A*
<b>Input BTU/hr.</b>	2,600,000 / 762 KW	<b>Min. Gas Pressure Required</b>	3" W.C.
<b>Output BTU/hr.</b>	2,498,600 / 732 KW	<b>Max. Gas Pressure Allowed</b>	14" W.C.
<b>Boiler HP</b>	74.6	<b>Water Volume</b>	31.9 gal.
<b>Electrical Requirements</b>	230VAC/60 hz/3PH	<b>Operating Weight</b>	3840 lbs. / 1742 kg.
<b>SCCR Rating</b>	5kA		

## BOILER TRIM & CONTROLS

<b>Main Gas Valve</b>	Dungs MBC	<b>Air Switch</b>	Huba
<b>Firing Valve</b>	1-1/2" Apollo	<b>Flow Sensor</b>	SIKA
<b>Ignition Control</b>	Honeywell RM7895C	<b>Blocked Flue Switch</b>	Cleveland NS2
<b>Operating Control</b>	HeatNet®	<b>Blower Motor</b>	Ametek
<b>High Limit (Manual Reset)</b>	Honeywell L4006E	<b>L.W.C.O.</b>	800
<b>High Limit (Auto Reset)</b>	Honeywell L4006A	<b>Relief Valve</b>	30, 50, 75 & 100 PSI
<b>Main Ball Valve</b>	1-1/2" Apollo	<b>Pilot Regulator</b>	Maxitrol RV12LT
<b>Pilot Cock</b>	1/4" Conbraco		

## A.S.M.E.

<b>ASME Sect IV Fire Side Htg Surface</b>	93.08 Sq. Ft. / 8.65 Sq. M.	<b>Design Data</b>	100 PSI & 250°F
<b>ASME Sect IV Water Side Htg Surface</b>	99.53 Sq. Ft. / 9.25 Sq. M.		
<b>CV. GPM (1PSID)</b>	222		

\*Add circulator amps.

## TEMPERATURE RISE / PRESSURE DROP (Based on Full Input)

20°F / 11.1°C				40°F / 22.2°C				60°F / 33.3°C				80°F / 44.4°C				100°F / 55.5°C			
Flow Rate		Pressure Drop		Flow Rate		Pressure Drop		Flow Rate		Pressure Drop		Flow Rate		Pressure Drop		Flow Rate		Pressure Drop	
GPM	L/s	Ft	kPa	GPM	L/s	Ft	kPa	GPM	L/s	Ft	kPa	GPM	L/s	Ft	kPa	GPM	L/s	Ft	kPa
250.0	15.77	2.93	8.74	125.0	7.89	.73	2.19	83.3	5.26	.33	.97	62.5	3.94	.18	.55	50.0	3.15	.12	.35

Flow GPM				Temp. Rise** (°F)				Vent Length (Equiv. Ft.)				Air Inlet Length (Equiv. Ft.)			
Min		Max		Min		Max		Min		Max		Min		Max	
50.0		250.0		20		100		6		100		0		100	

\*\*Min/Max delta t reflects boiler operation at full input. For applications requiring operation above/below these parameters please consult factory.

<b>REP FIRM</b>	_____
<b>SUBMITTED BY</b>	_____
<b>JOB NAME</b>	_____
<b>ARCHITECT</b>	_____
<b>ENGINEER</b>	_____
<b>CONTRACTOR</b>	_____
<b>DATE</b>	_____

# KN26+ DUAL FUEL

**Category II or Category IV Appliance**  
(see Installation and Operation Manual for venting information)



A Division of Mestek, Inc.  
Westfield, MA 01085  
(413) 564-5515